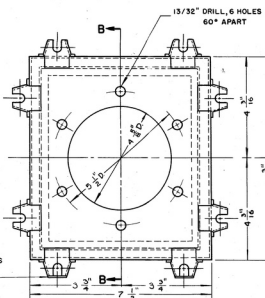
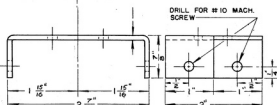
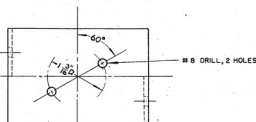


DRILLING FOR  
WATERTIGHT ENTRANCE BOX  
SCALE: 6"=1 FT.

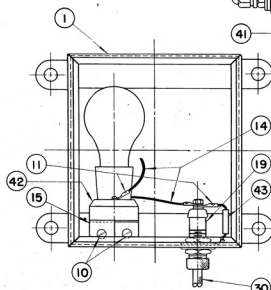


DRILLING FOR  
COVER OF W.T. ENTRANCE  
SCALE: 6"=1 FT.

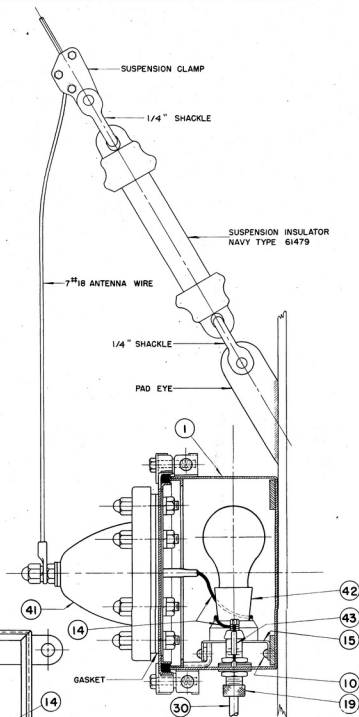


15 BRACKET  
FOR  
PROTECTIVE LAMP  
SCALE: 12"=1 FT.

SECTION B-B



BOX ASSEMBLY  
FRONT VIEW  
SCALE: 6"=1 FT.



DETAIL A

ENTRANCE ASSEMBLY  
FOR OUTSIDE INSTALLATIONS  
SCALE: 6"=1 FT.

RADIO DIVISION BUREAU OF SHIPS  
NAVY DEPARTMENT WASHINGTON, D.C.

RECEIVING ANTENNA  
TRANSMISSION LINE SYSTEM  
ARRANGEMENT AND DETAILS  
TYPE PLAN

SCALE: I.S. SHOWN DATE: 10 NOV 1944

RE 62F 151

SHEET 2 C OF 5