

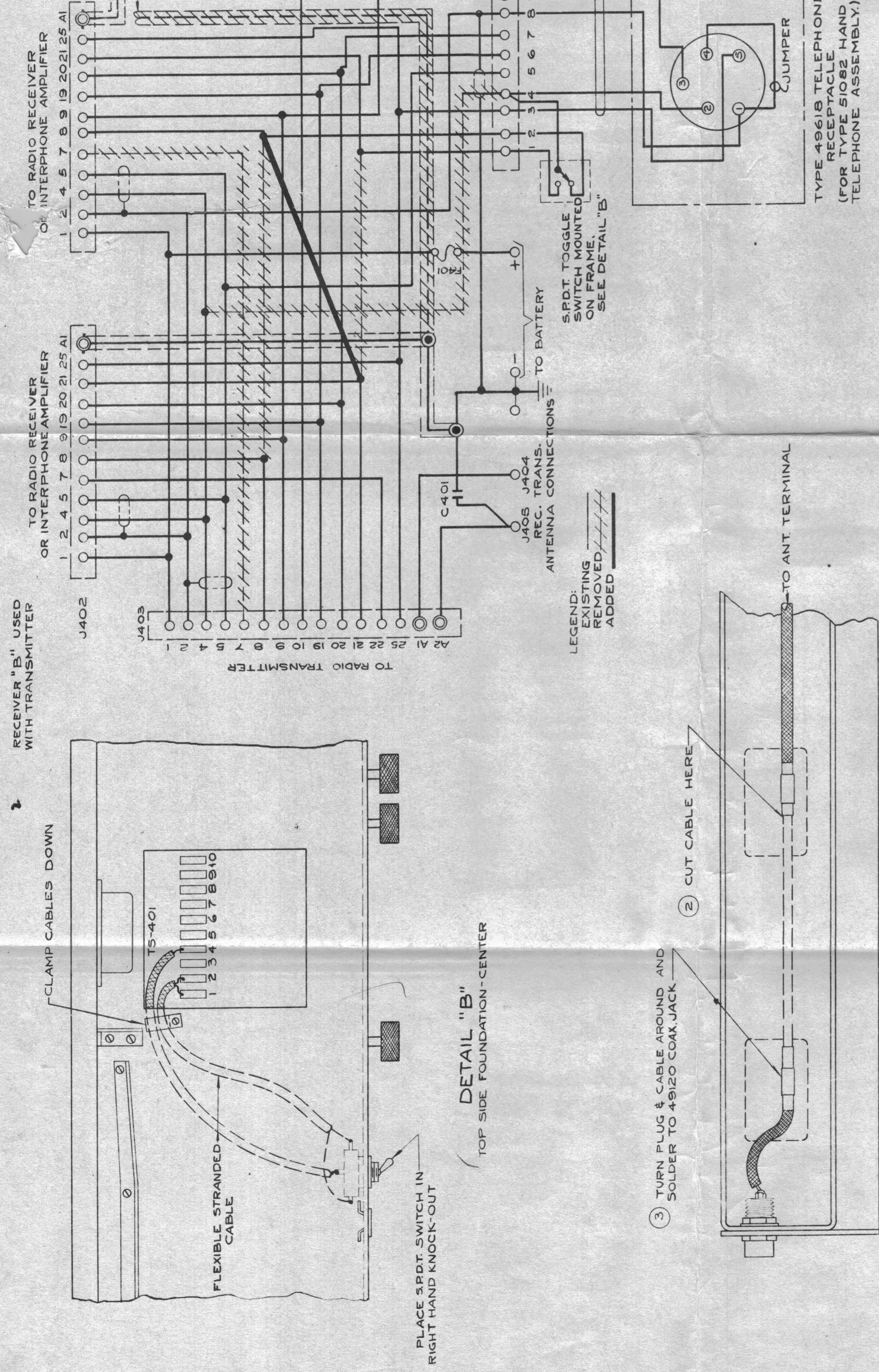
ALTERATION TABLE		DESCRIPTION	DATE
ALT.	B	CORRECTED	7/14/45

STEPS NECESSARY TO MODIFY SCR 508/608 FOR RECEIVER AUDIO SELECTION

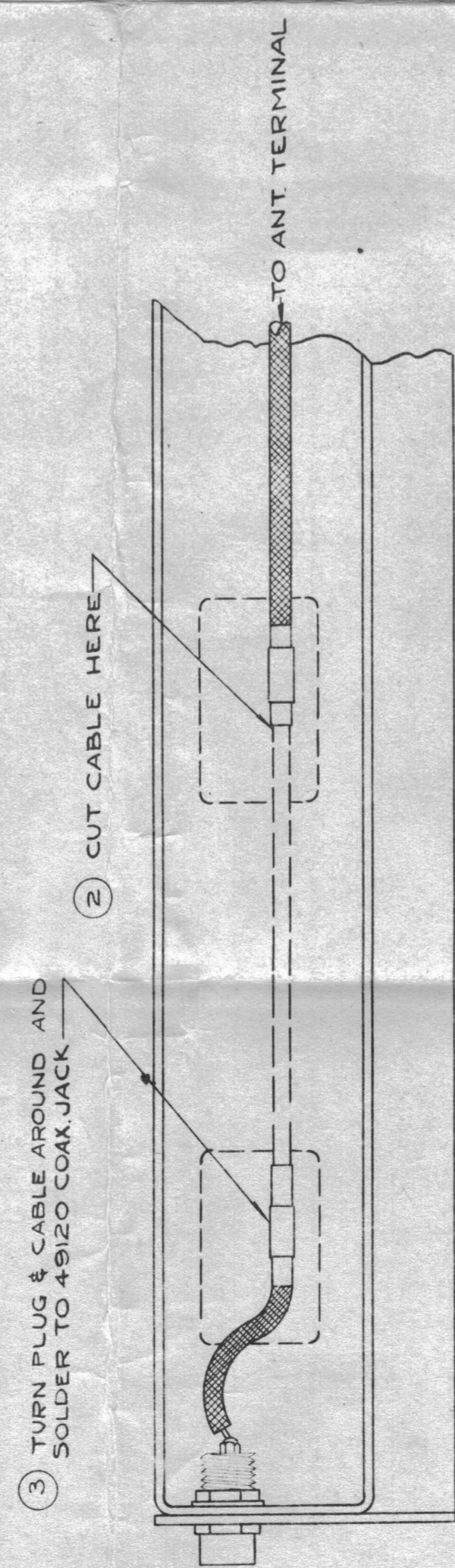
1. REMOVE LEAD (WHITE WITH RED-BROWN TRACER) BETWEEN J401 PIN 7 AND J403 PIN 7
2. REMOVE LEAD (WHITE WITH RED-GREEN TRACER) BETWEEN J402 PIN 21 AND J401 PIN 21. RETAIN LEAD (WHITE WITH RED-GREEN TRACER) BETWEEN J401 PIN 21 AND TS401 TERMINAL 1.
3. CLIP LEAD (WHITE WITH BROWN TRACER) BETWEEN J402 PIN 8 AND TS401 TERMINAL 2. SPLICE THIS LEAD TO THE LEAD REMAINING ON J402 PIN 21 (WHITE WITH RED-GREEN TRACER) SO THERE IS CONTINUITY BETWEEN J402 PIN 21 AND TS401 TERMINAL 2.
4. MOUNT SRDT TOGGLE SWITCH IN RIGHT HAND CABLE KNOCK-OUT ON FRONT OF MOUNTING FT-237.
5. CONNECT TS401 TERMINAL 1 TO ONE SIDE OF SWITCH AND TS401 TERMINAL 2 TO OTHER SIDE OF SWITCH. CLIP AND TAPE LEAD ON TS401 TERMINAL 4 AND RUN LEAD BETWEEN THIS TERMINAL AND POLE OF TOGGLE SWITCH.

RECEIVER "A" USED WITH SEPARATE ANTENNA FOR GUARDING ADDITIONAL FREQUENCY

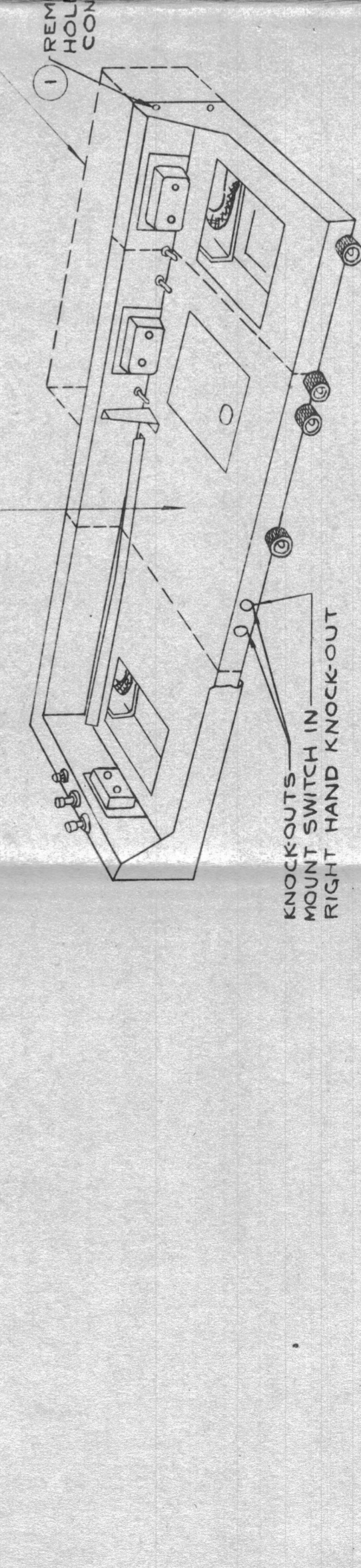
RECEIVER "B" USED WITH TRANSMITTER



DETAIL "A"
LEFT SIDE BACK OF FOUNDATION



DETAIL "B"
TOP SIDE FOUNDATION-CENTER



FOUNDATION SCR-508

REFERENCE DRAWINGS	
DESCRIPTION	BY
TRACER	A. Robbins
CHECKED	B. Clark
APPROVED	R. J. Wells
OFFICE IN CHARGE	Carleton
ELECTRONICS DIVISION	
NAVY DEPARTMENT	
UNCLASSIFIED	

MODIFICATION FOR SCR 508 AND 608 RADIO EQUIPMENT

RE 43F 513B

MAY 5, 1945