

35 CALL CONTROL UNIT (LCCU)

PARTS

| FIGURE | CONTENTS | PAGE | FIGURE | CONTENTS | PAGE |
|--------|---|------|--------|--|------|
| 1 | Basic Components | 2 | 15 | 193489 and 195926 Modification Kits to Provide Rotary Dial | 14 |
| 2 | Basic Components (Continued) | 3 | 16 | 186602, 186603, 193488 and 195927 Dial Modifications | 15 |
| 3 | Basic Components (Continued) | 4 | 17 | 193486 and 195924 Dial Modifications | 16 |
| 4 | Basic Components (Continued) | 5 | 18 | 199409 Modification Kit to Provide Fusing in the Primary of the Call Control Low Voltage Transformer | 17 |
| 5 | Basic Components (Continued) | 6 | 19 | 319274 and 320489 Modification Kits to Add Alarm Lamps With Release Switches | 18 |
| 6 | 182090 and 182092 Dial Assemblies | 7 | 20 | Signal Line Break Detection and Indication Features | 19 |
| 7 | 182091 and 182093 Dial Assemblies | 8 | 21 | 186627 Set Interface Logic Assembly | 20 |
| 8 | Receive-Only Lamp and Key Bracket | 9 | | Numerical Index | 21 |
| 9 | Pilot Plate Assemblies | 9 | | | |
| 10 | 182695 Selector Magnet Driver Assembly | 10 | | | |
| 11 | 304995 Line Relay Mounting Assembly | 11 | | | |
| 12 | Cable Components | 12 | | | |
| 13 | Key Assemblies | 13 | | | |
| 14 | 186601 Modification Kit to Provide a Twelve (12) Button Touch-Tone Dialer | 14 | | | |

| PAINT FINISH COLOR CODE CHART | | | |
|-------------------------------|---------------|----------------|--------------|
| COLOR | Finish Suffix | | |
| | Smooth Finish | Textured Vinyl | Smooth Vinyl |
| Charcoal Gray | BZ | | HA |
| Dark Covert Gray | FC | | |
| Light Gray | | | HB |
| Light Olive Gray | EW | | HF |
| Gray Green | BK | GA | |

The double asterisk(**) denotes a painted part.
Suffix to be applied following the part number.

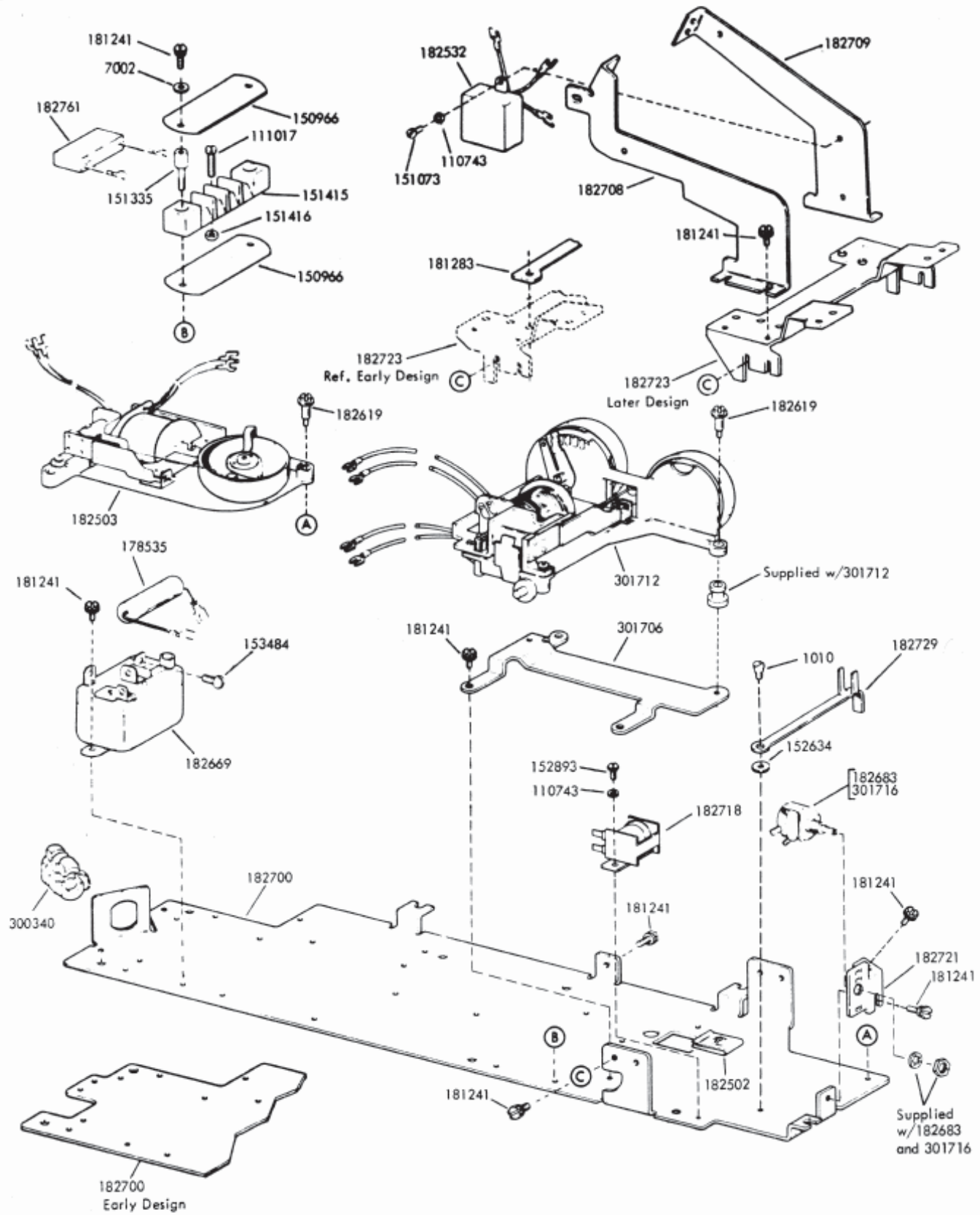


FIGURE 1. BASIC COMPONENTS

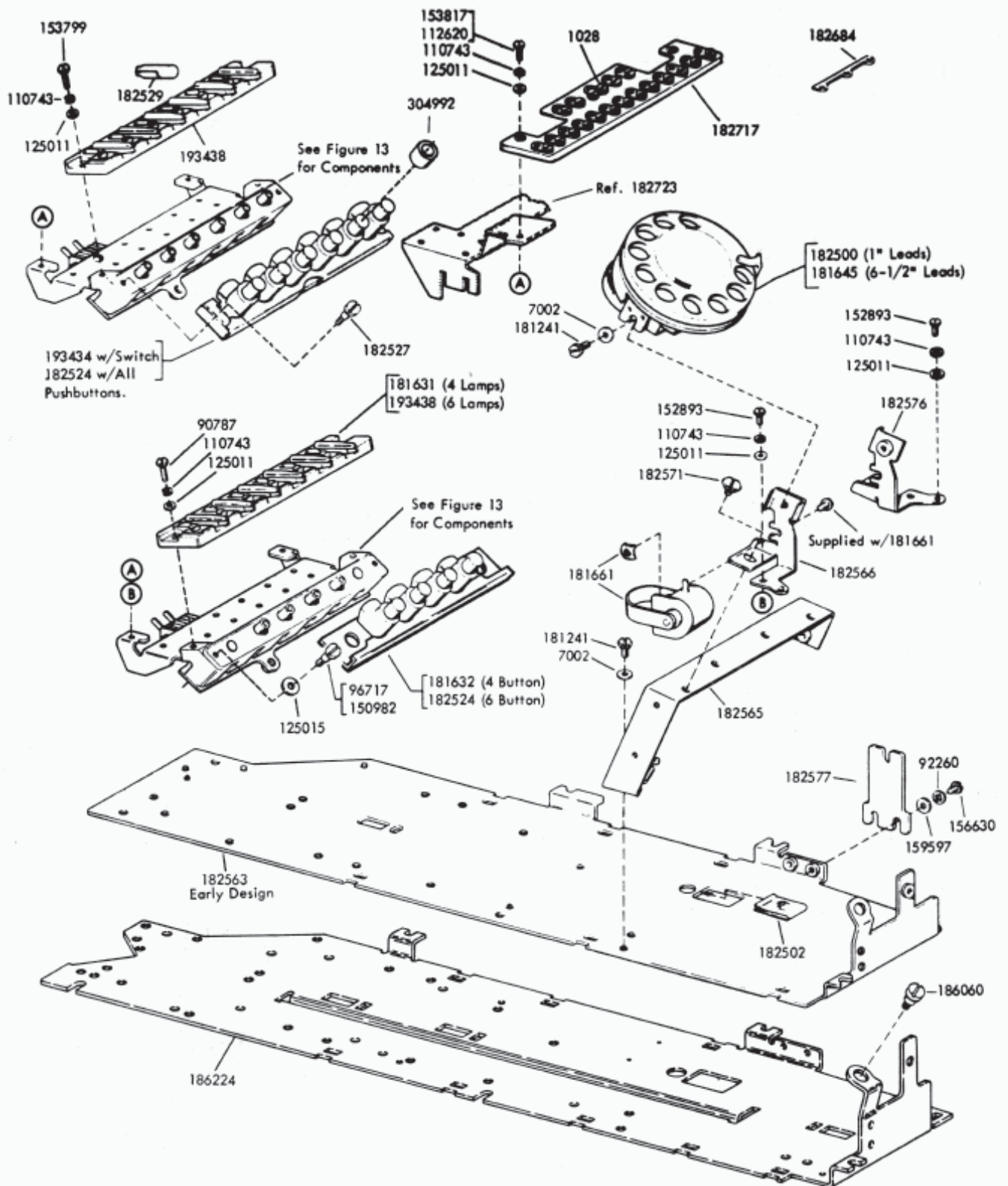


FIGURE 2. BASIC COMPONENTS (Continued)

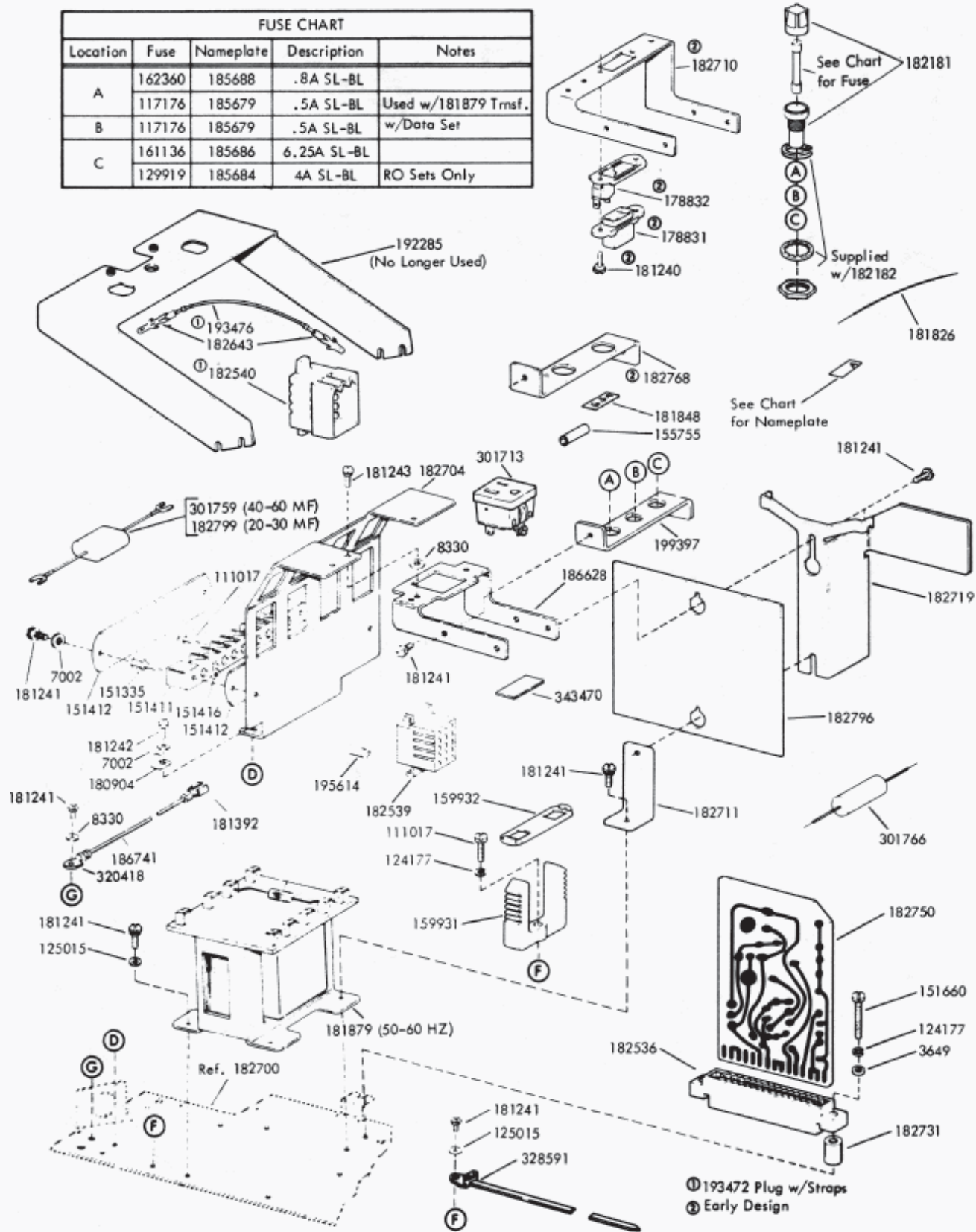


FIGURE 3. BASIC COMPONENTS (Continued)

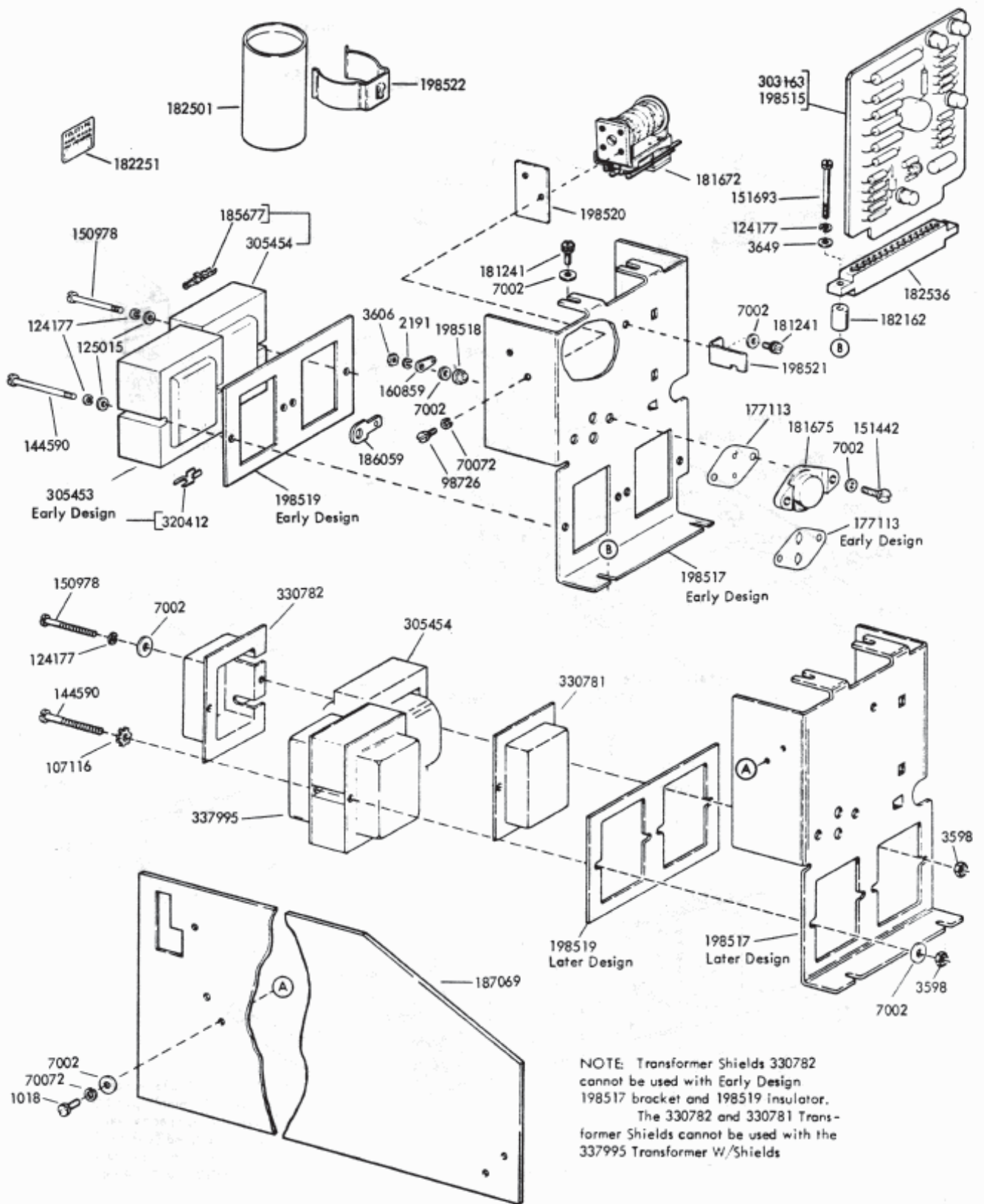


FIGURE 4. BASIC COMPONENTS (Continued)

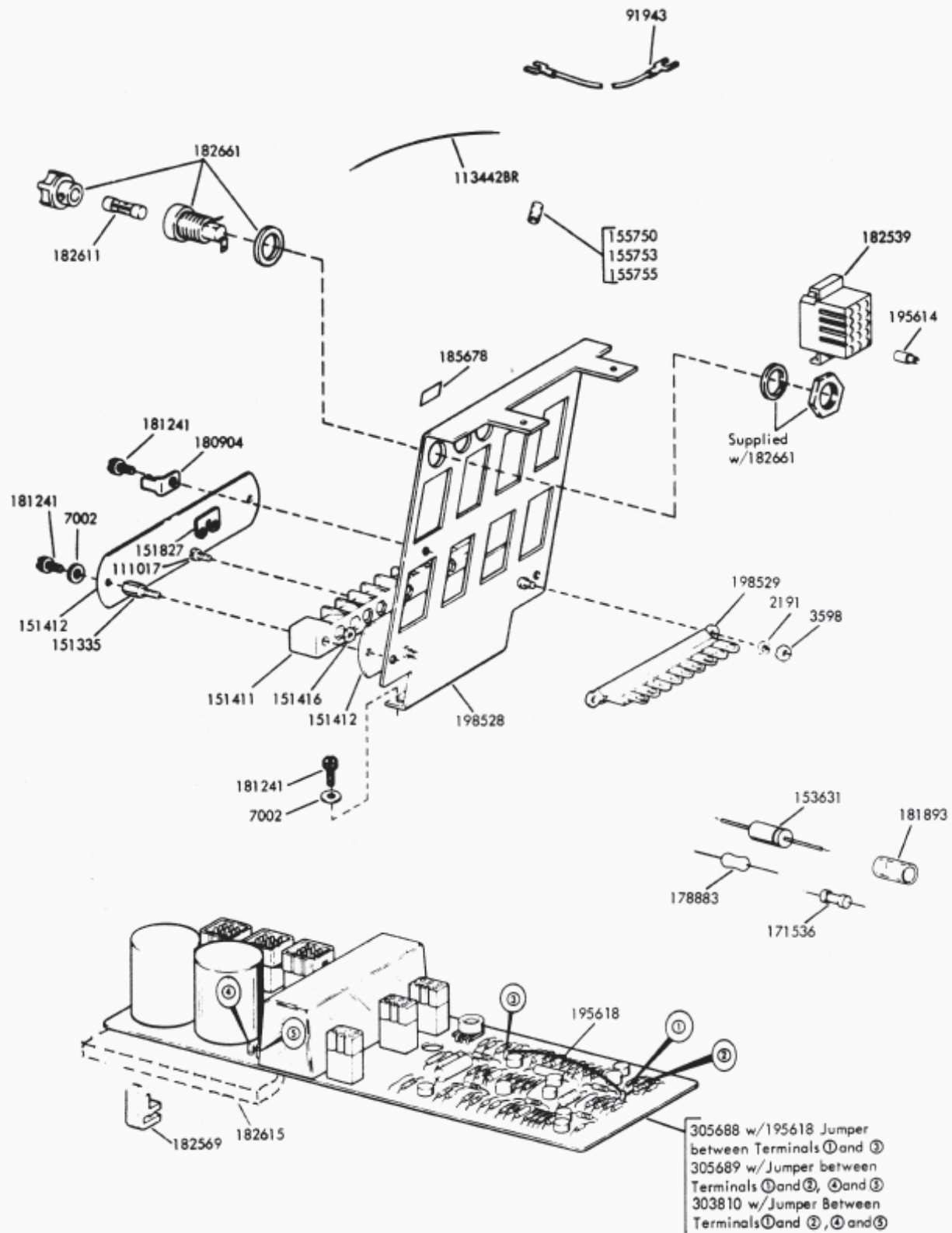
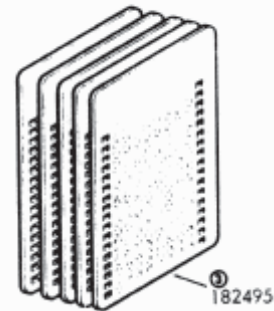
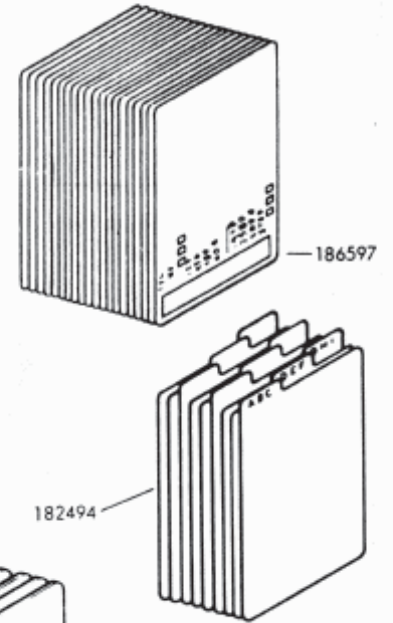
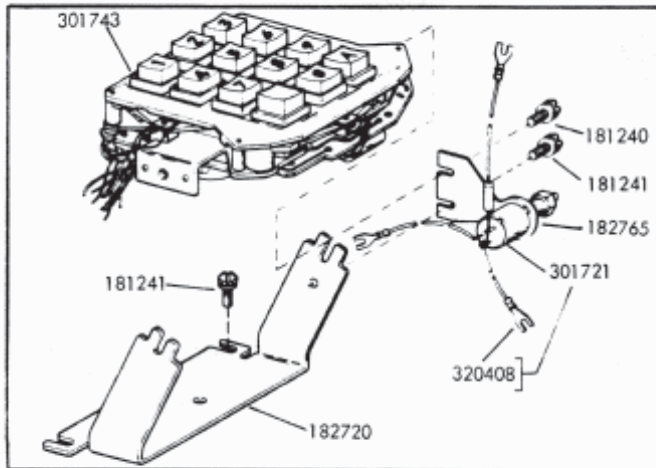
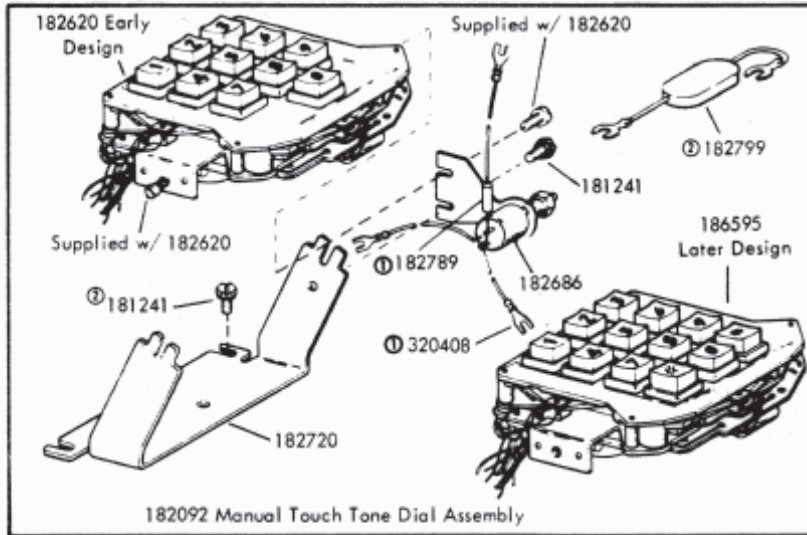
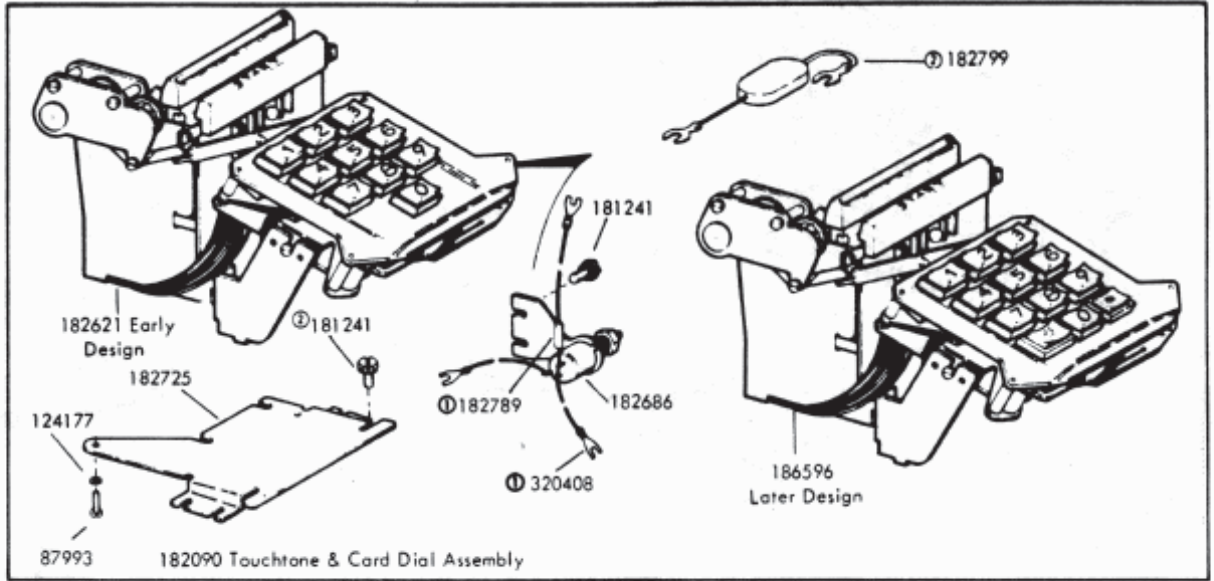


FIGURE 5. BASIC COMPONENTS (Continued)



- ① Supplied w/182686
- ② Not Part of Dial Assembly
- ③ Replaced by 186597

FIGURE 6. 182090 AND 182092 DIAL ASSEMBLIES

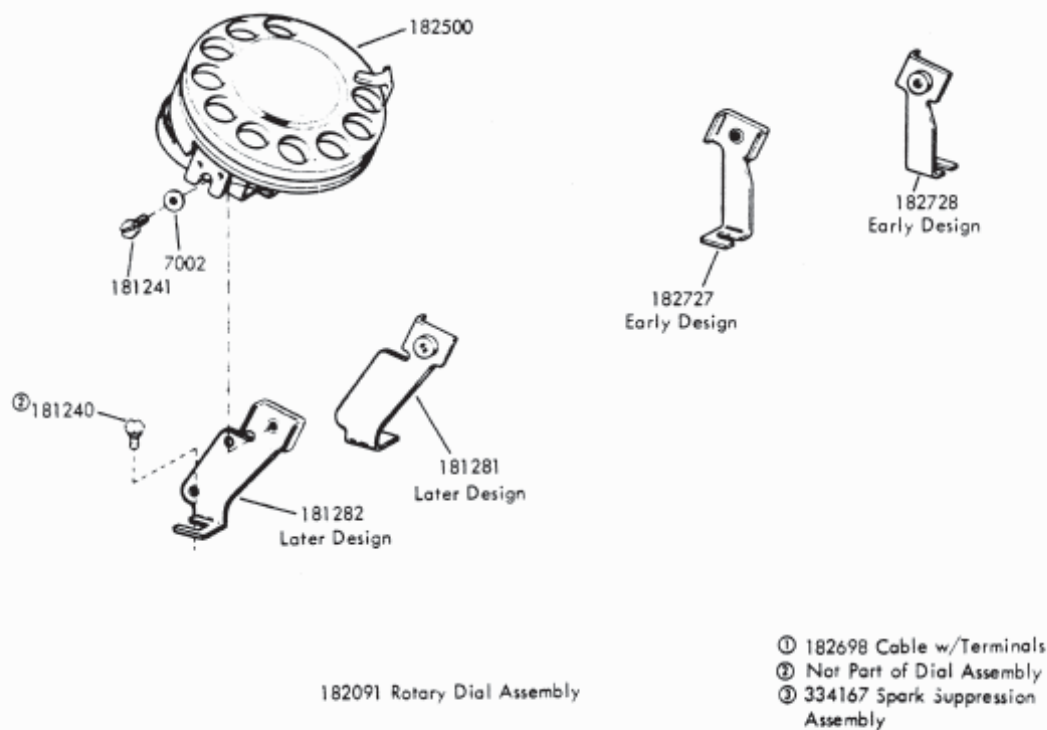
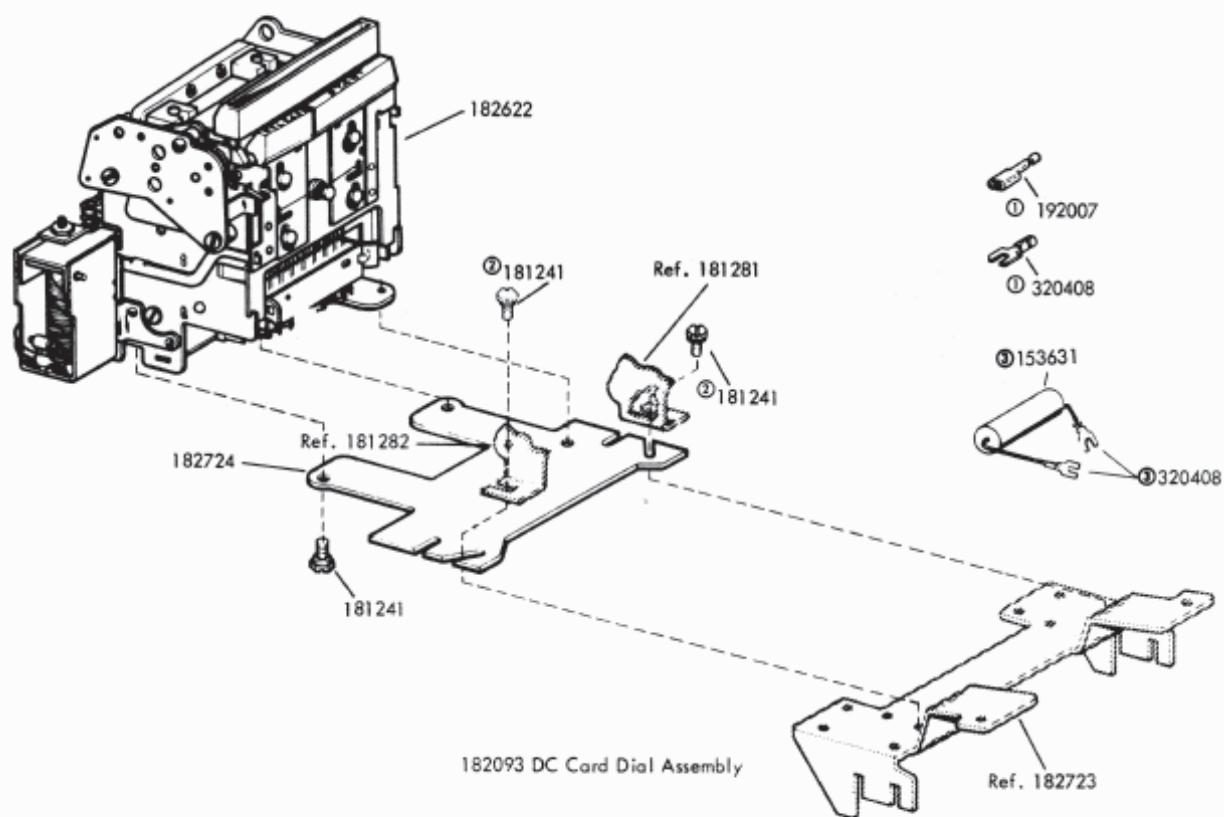


FIGURE 7. 182091 AND 182093 DIAL ASSEMBLIES

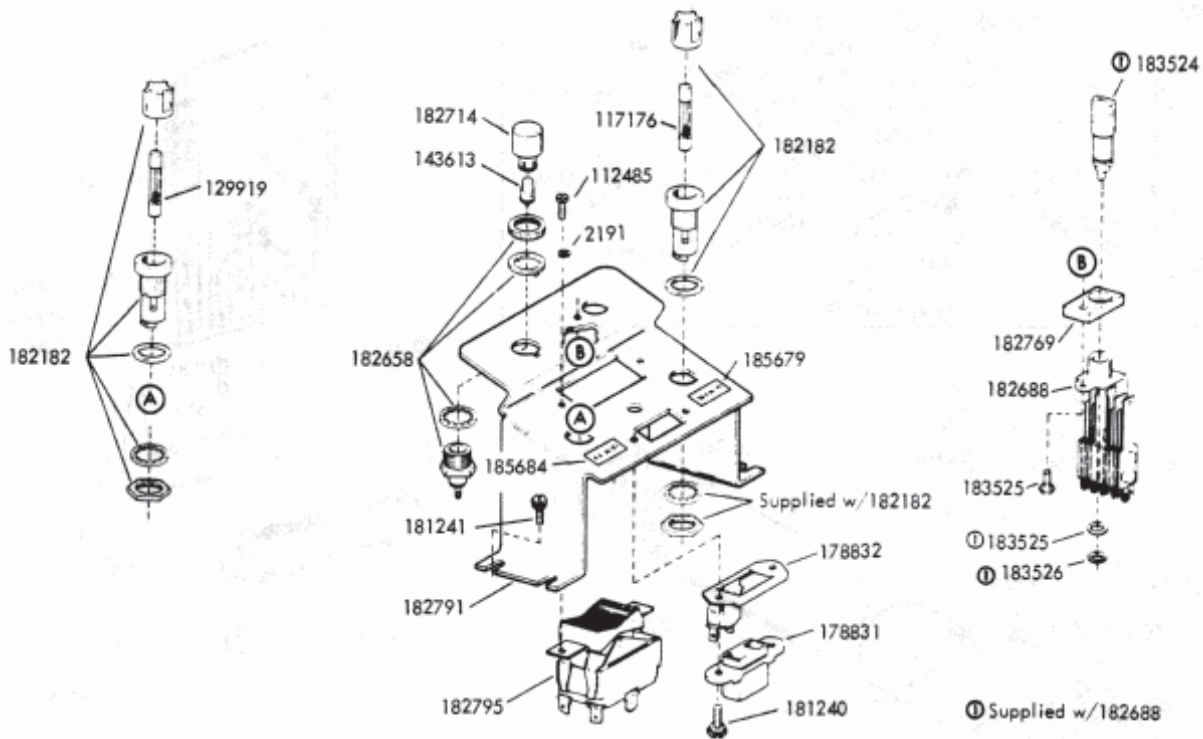


FIGURE 8. RECEIVE-ONLY LAMP AND KEY BRACKET

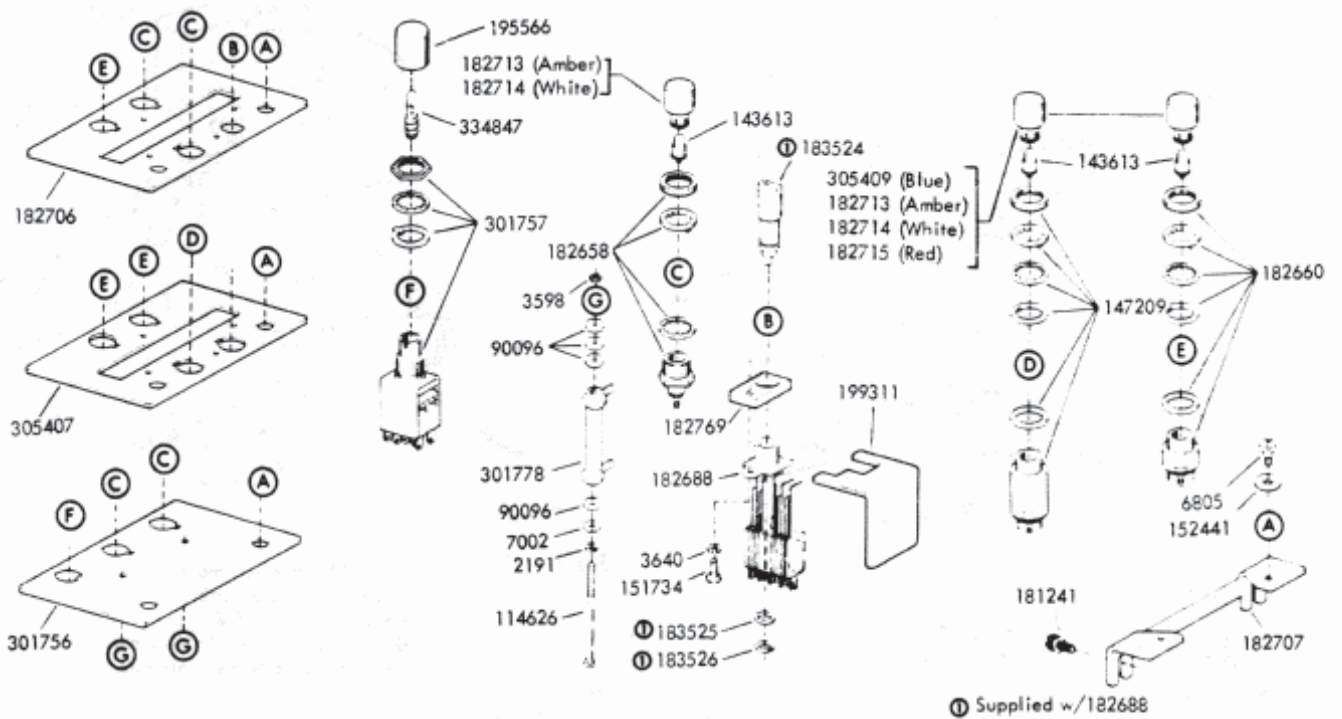


FIGURE 9. PILOT PLATE ASSEMBLIES

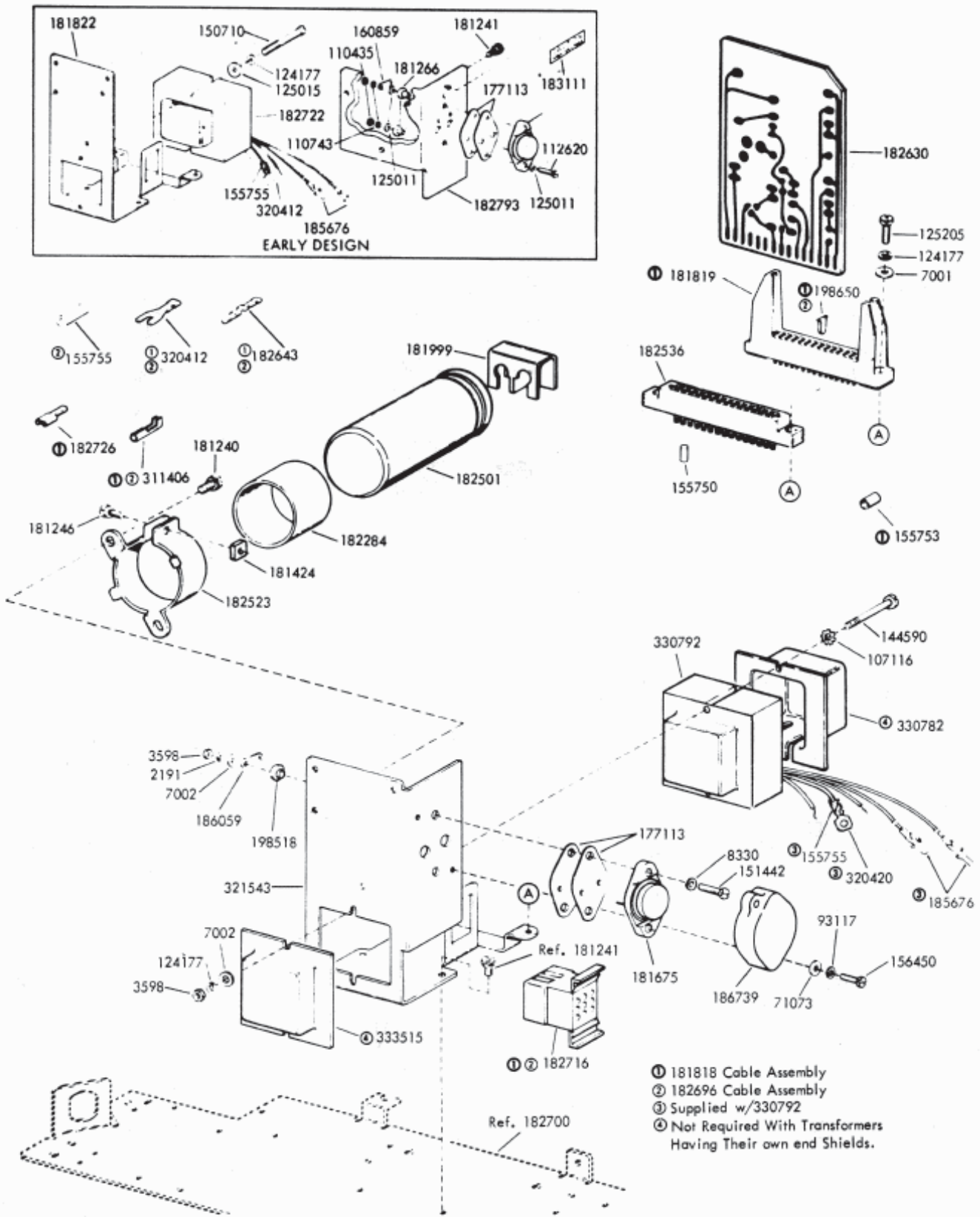


FIGURE 10. 182695 SELECTOR MAGNET DRIVER ASSEMBLY

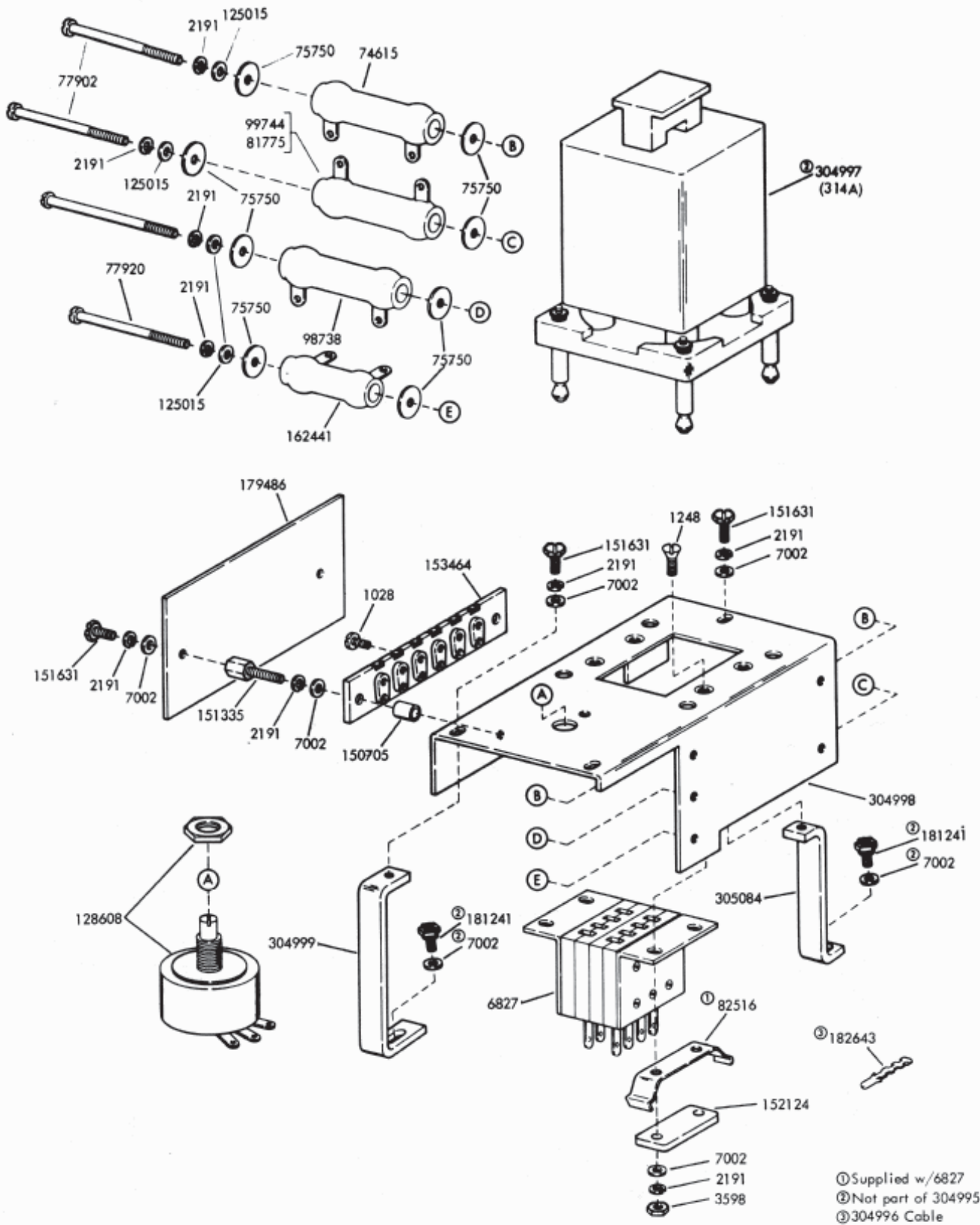
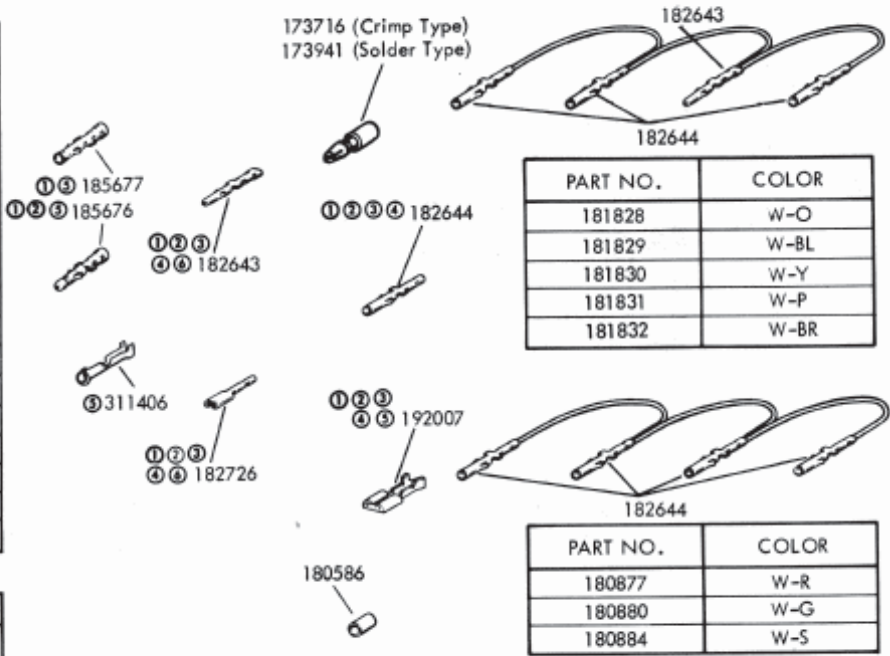


FIGURE 11. 304995 LINE RELAY MOUNTING ASSEMBLY

| INSULATING SLEEVES | | |
|--------------------|--------|-----------------|
| PART NO. | Length | Inside Diameter |
| 155750 | 1/2" | 3/32" |
| 155751 | 1" | 1/8" |
| 155752 | 1/2" | 5/64" |
| 155753 | 1/2" | 1/8" |
| 155754 | 1/2" | 1/16" |
| 155755 | 5/8" | 11/64" |
| 181890 | 1" | 1/16" |
| 181891 | 2 1/2" | 3/16" |
| 181892 | 1" | 9/64" |
| 181893 | 1 1/2" | 3/64" |
| 181894 | 2" | 3/64" |
| 181895 | 3/8" | 9/64" |

| JUMPERS | | | |
|----------|--------|-------|----------|
| Part No. | Length | Color | Terminal |
| 151819 | 3" | Black | 320410 |
| 193476 | 2-3/4" | Black | 182643 |

173716 (Crimp Type)
173941 (Solder Type)



| PART NO. | COLOR |
|----------|-------|
| 181828 | W-O |
| 181829 | W-BL |
| 181830 | W-Y |
| 181831 | W-P |
| 181832 | W-BR |

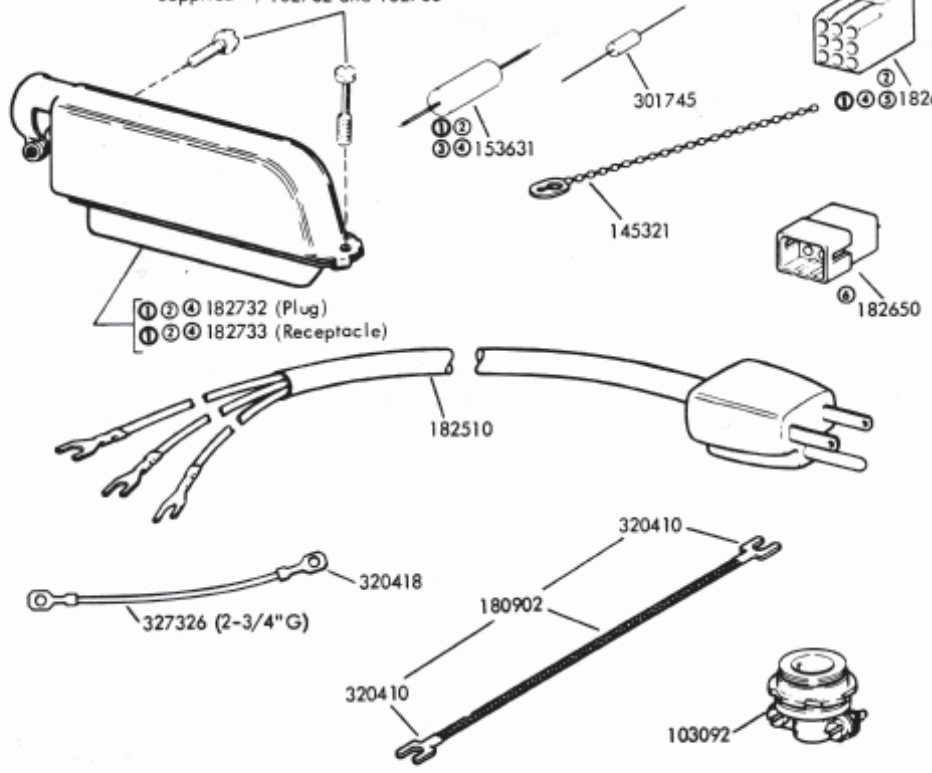
| PART NO. | COLOR |
|----------|-------|
| 180877 | W-R |
| 180880 | W-G |
| 180884 | W-S |

| PART NO. | COLOR |
|----------|-------|
| 182781 | W-R |

| PART NO. | COLOR |
|----------|-------|
| 182693 | O |
| 181836 | BL |

| PART NO. | COLOR |
|----------|-------|
| 181837 | BK |

Supplied w/182732 and 182733



- ① 193470 Cable Assembly
- ② 193473 Cable Assembly
- ③ 301758 Cable Assembly
- ④ 305410 Cable Assembly
- ⑤ 330791 Cable Assembly
- ⑥ 305431 Cable Assembly

FIGURE 12. CABLE COMPONENTS

| KEY ASSEMBLY PART LOCATION TABLE | | | | | | | | | | | |
|--------------------------------------|---|-------------------|------------------|------------------|------------------|------------------|------------------|------------------|------------------|------------------|------------------|
| ASSEMBLY NO. | | 182580 | 182581 | 182582 | 182583 | 182584 | 182586 | 182587 | 182588 | 182589 | |
| P O S I T I O N | A | Plunger Switch | 182559 182561 | | 182559 182562 | 182667 182664 | 182667 182562 | 182667 182562 | 182667 182664 | 182667 182562 | 182559 182562 |
| | B | Plunger Switch | 182559 182560 | 182667 182562 | 182559 182562 | 182667 182562 | 182667 182562 | 182663 182664 | 182667 182562 | 182667 182562 | 182559 |
| | C | Plunger Switch | 182559 182561 | 182667 | 182559 182562 | 182667 182664 | 182559 182562 | 182667 182562 | 182667 182664 | 182667 | 182559 |
| | D | Plunger Switch | 182559 182562 | 182667 181638 | 182559 182562 | 182667 182664 | 182559 182562 | 182667 182664 | 182667 182562 | 182667 | 182559 182562 |
| | E | Plunger Switch | 182559 182562 | 182667 182562 | 182559 182561 | 182667 182562 | 182559 182562 | 182667 182664 | 182667 182664 | 182667 | 182559 182562 |
| | F | Plunger Switch | 182559 182561 | | 182559 182562 | 182663 182561 | 182559 182562 | 182663 182561 | 182663 182561 | 182663 | 182559 182562 |
| Plunger Spring | | | 182554 | 182554 | 182554 | 182554 | 182554 | 182554 | 182554 | 182554 | |
| Lockout | | | 182556 | | 182556 | | | | 182556 | 182556 | |
| Latch Bar | | | 182555 | | 182666 | | 308536 | | 301769 | 182666 | |
| Latch Spring | | | 182535 | | 182535 | | 182535 | | 182535 | 182535 | |
| Bracket | | | 182557 | 181637 | 182557 | 182557 | 182557 | 182557 | 182557 | 182557 | |

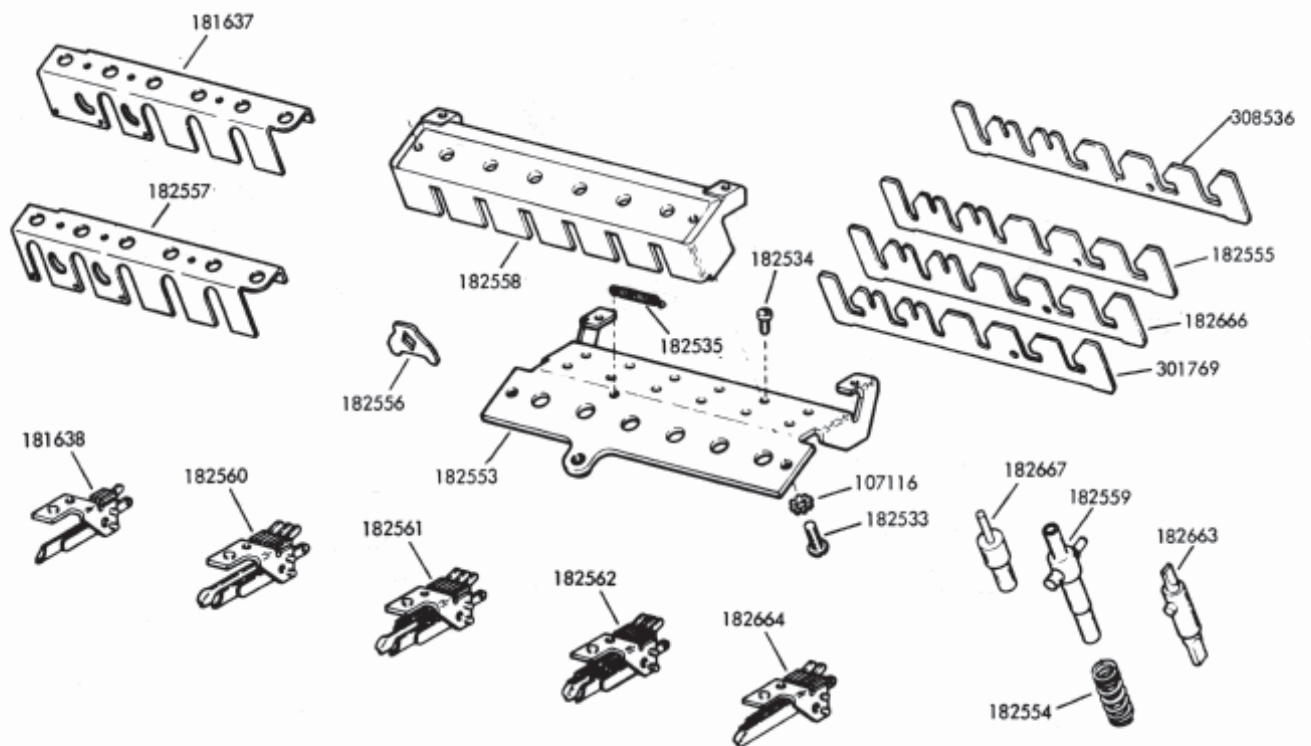


FIGURE 13. KEY ASSEMBLIES

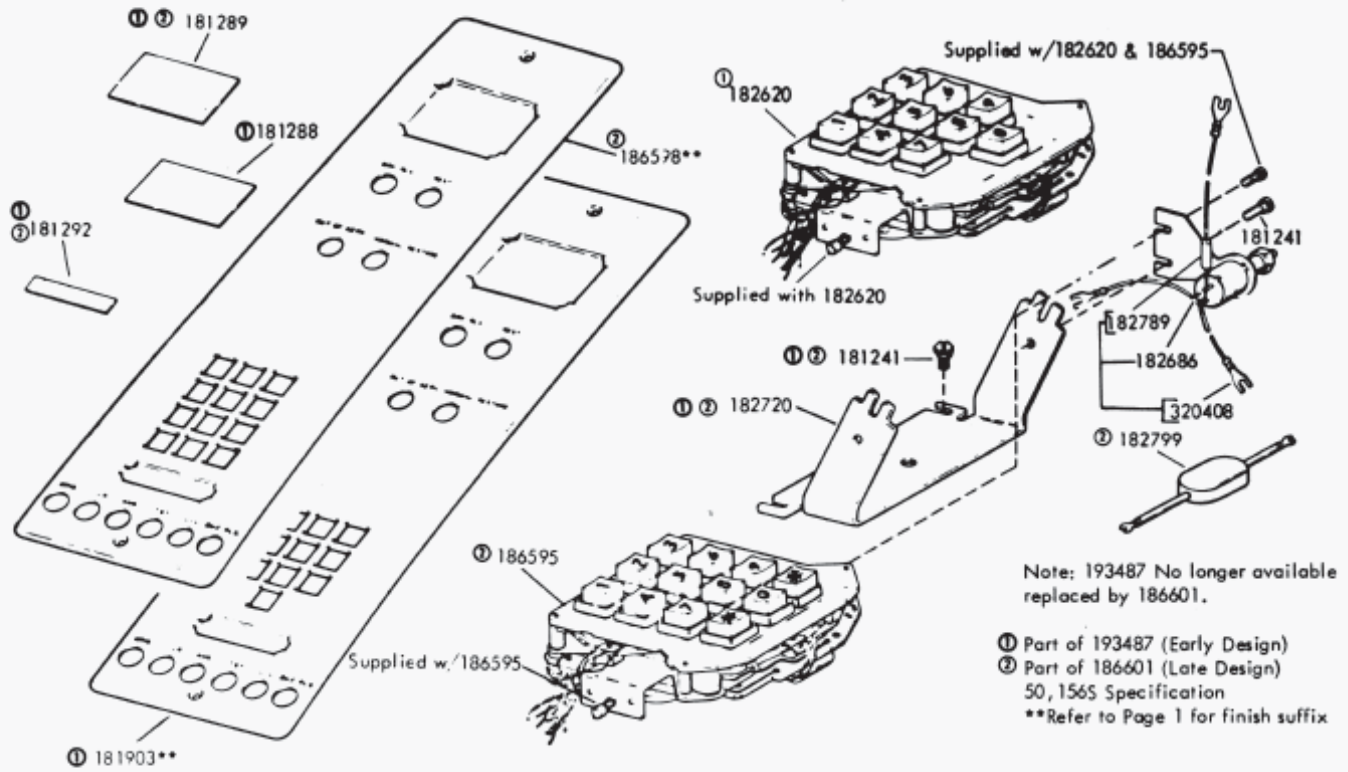
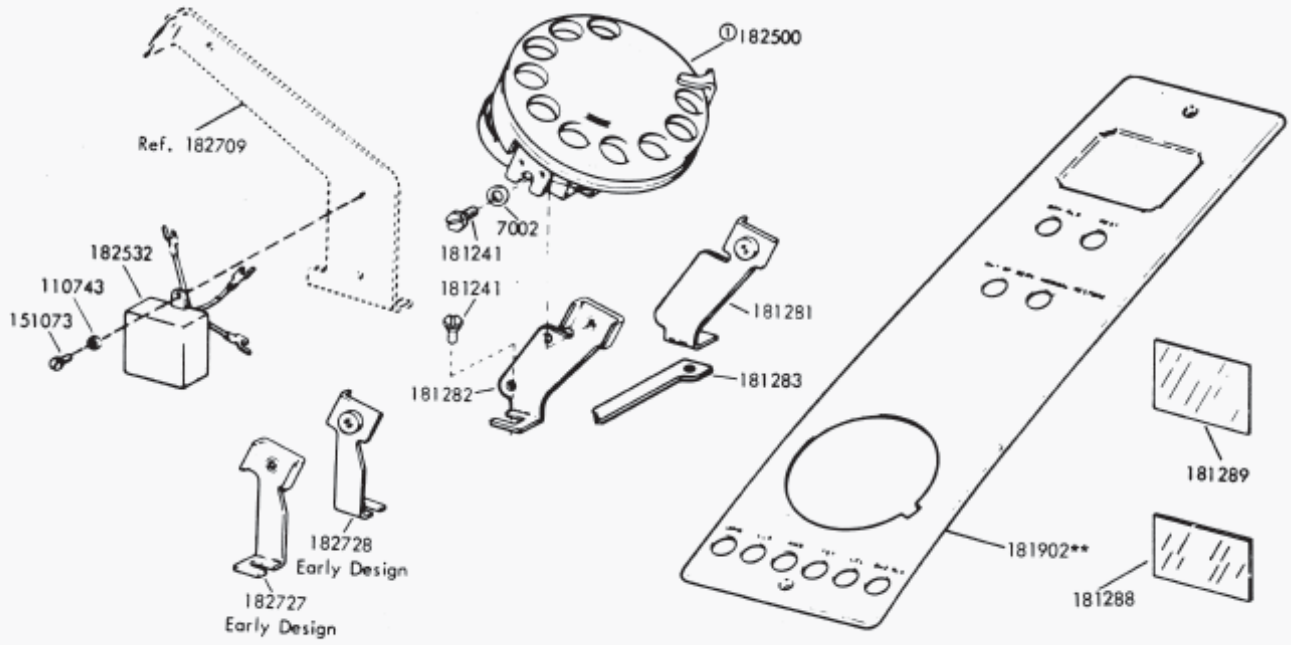


FIGURE 14. 186601 MODIFICATION KIT TO PROVIDE A TWELVE (12) BUTTON TOUCH-TONE DIALER



Note: 193489 (with Dialer) and 195926 (less Dialer) Modification Kits (Specification 501565)

**Refer to Page 1 for finish suffix

① Peculiar to 193489

FIGURE 15. 193489 AND 195926 MODIFICATION KITS TO PROVIDE ROTARY DIAL

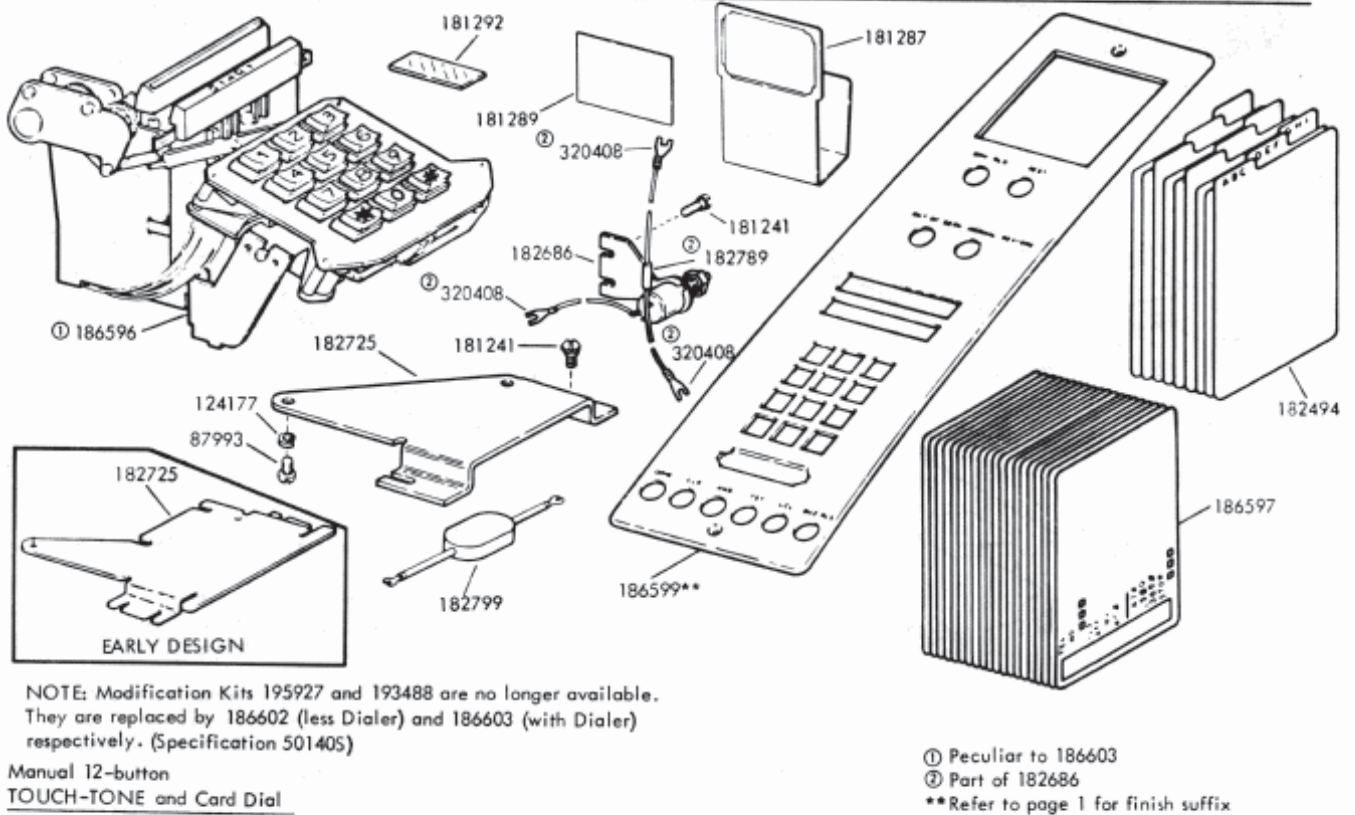
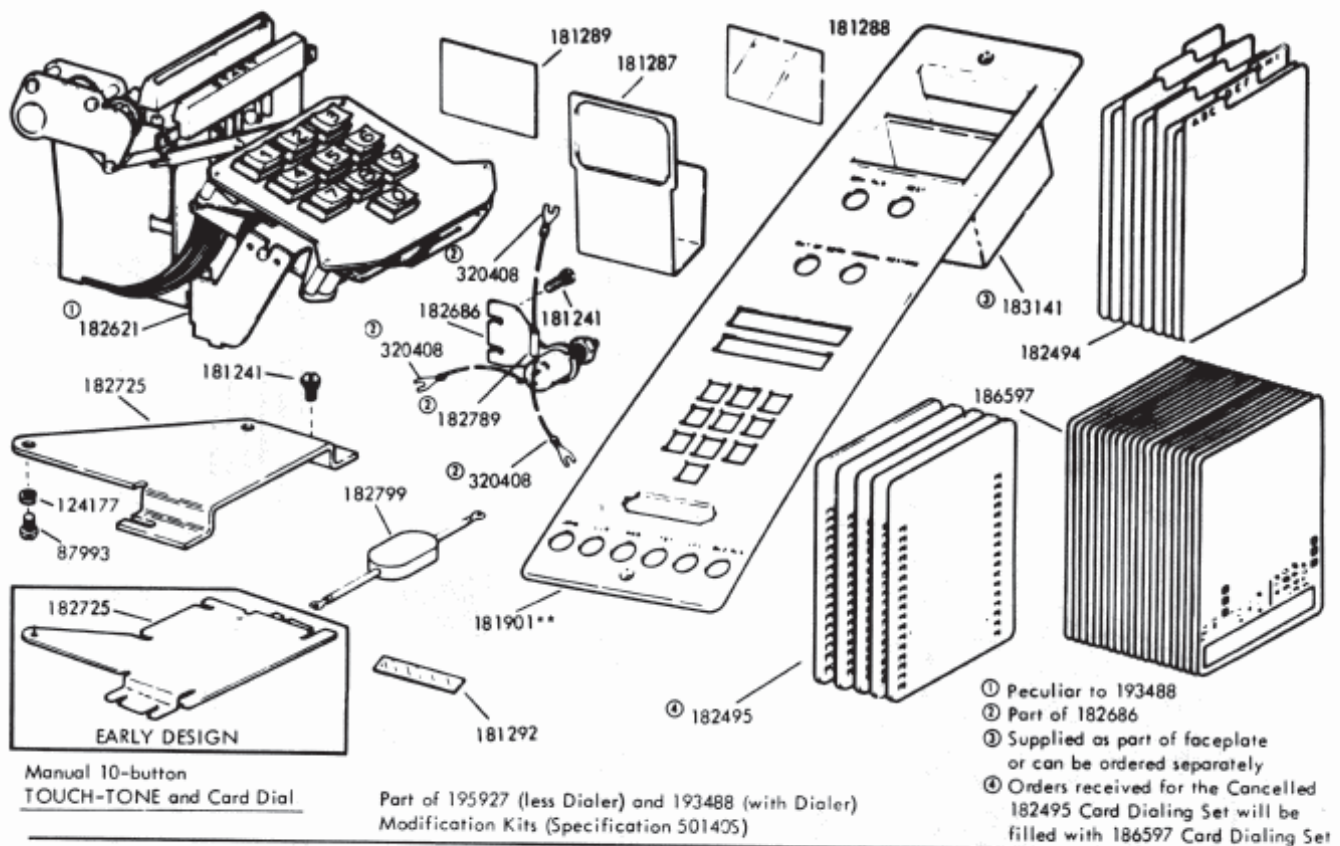
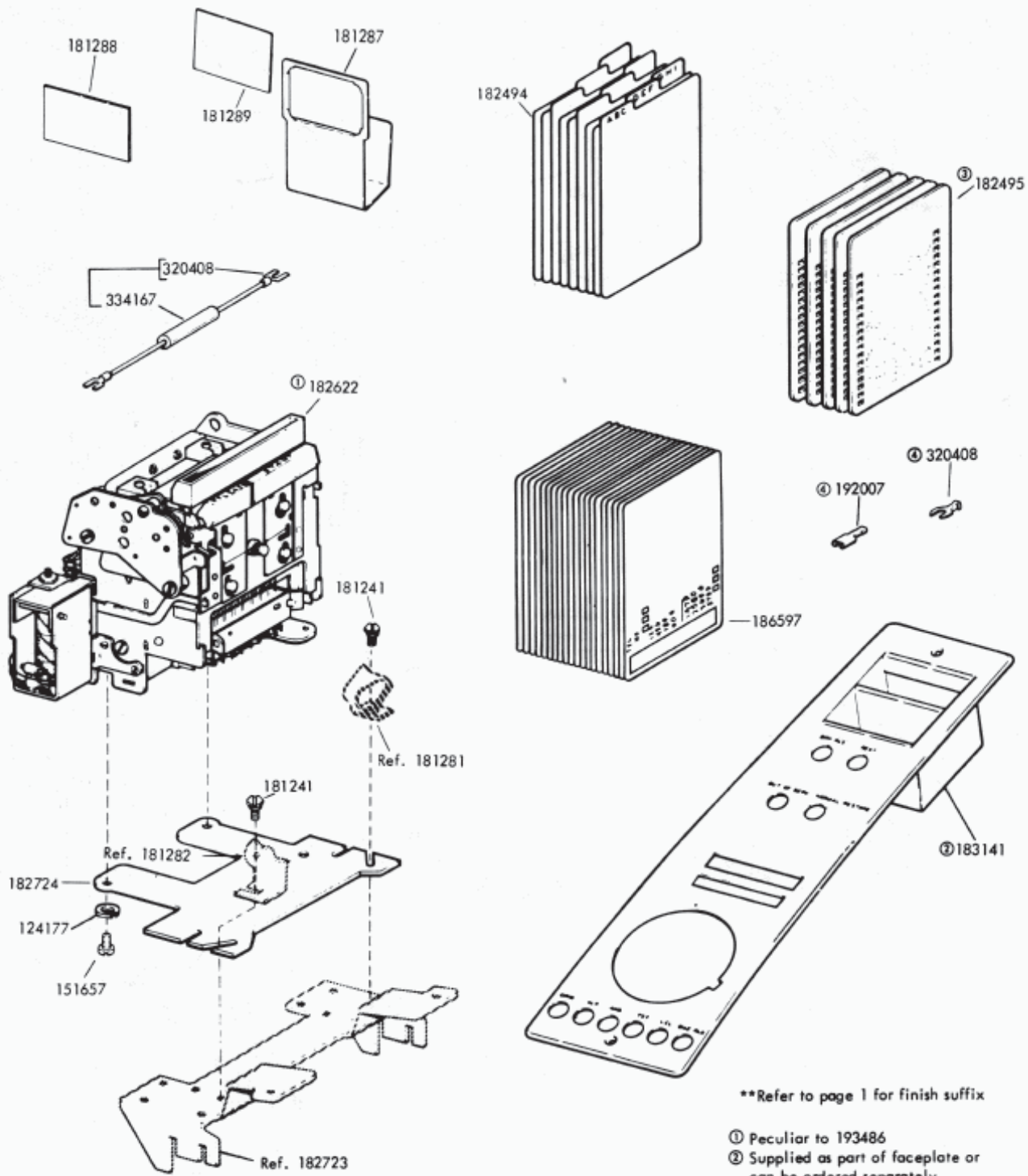


FIGURE 16. 186602, 186603, 193488 AND 195927 DIAL MODIFICATIONS



DC Card Dial

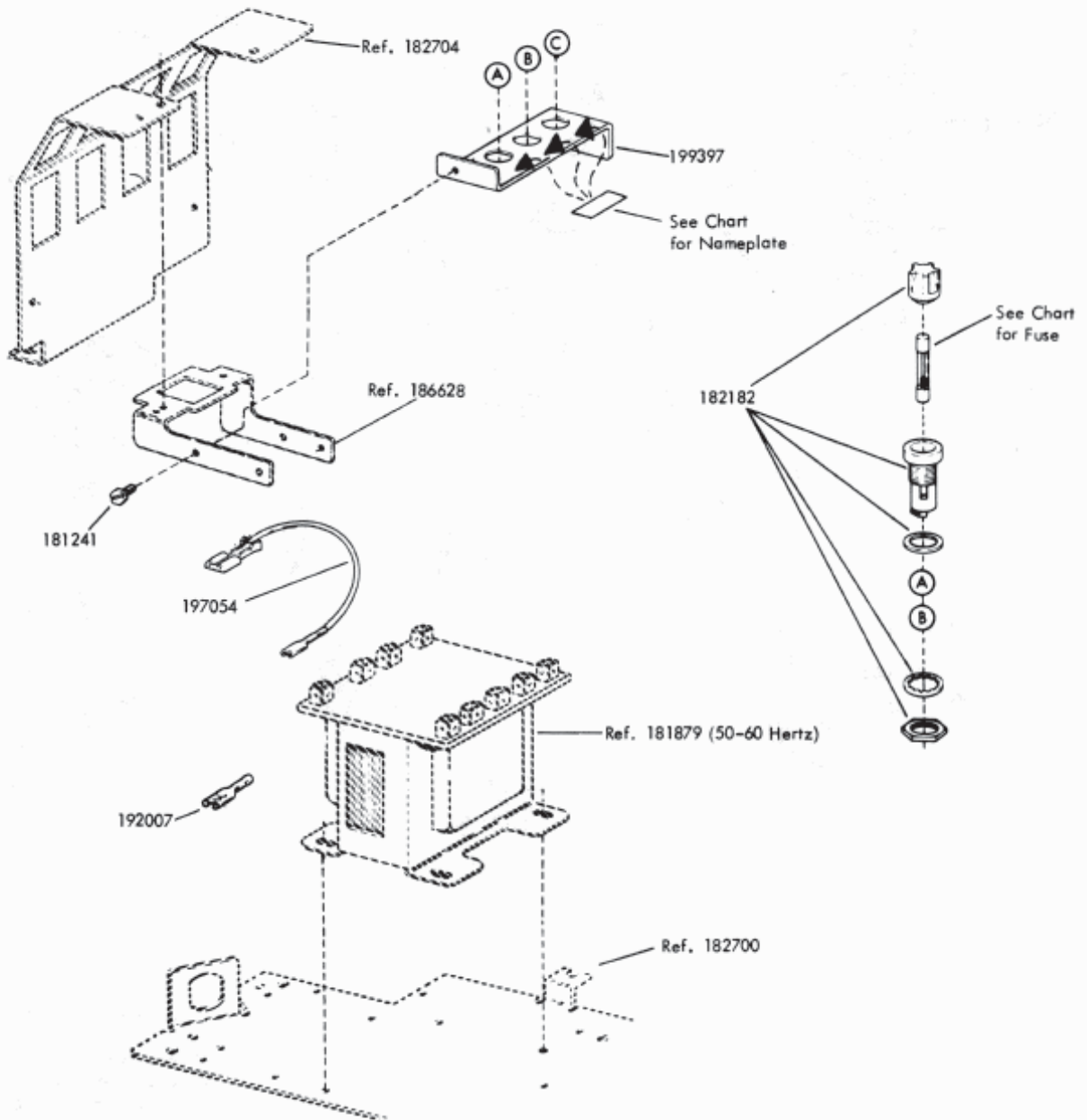
193486 (with Dial) and 195924 (less Dial)
(Specification 501645)

**Refer to page 1 for finish suffix

- ① Peculiar to 193486
- ② Supplied as part of faceplate or can be ordered separately
- ③ Orders received for the cancelled 182495 Card Dialing Set will be filled with 186597 Card Dialing Set
- ④ 182698 Cable w/ Terminals

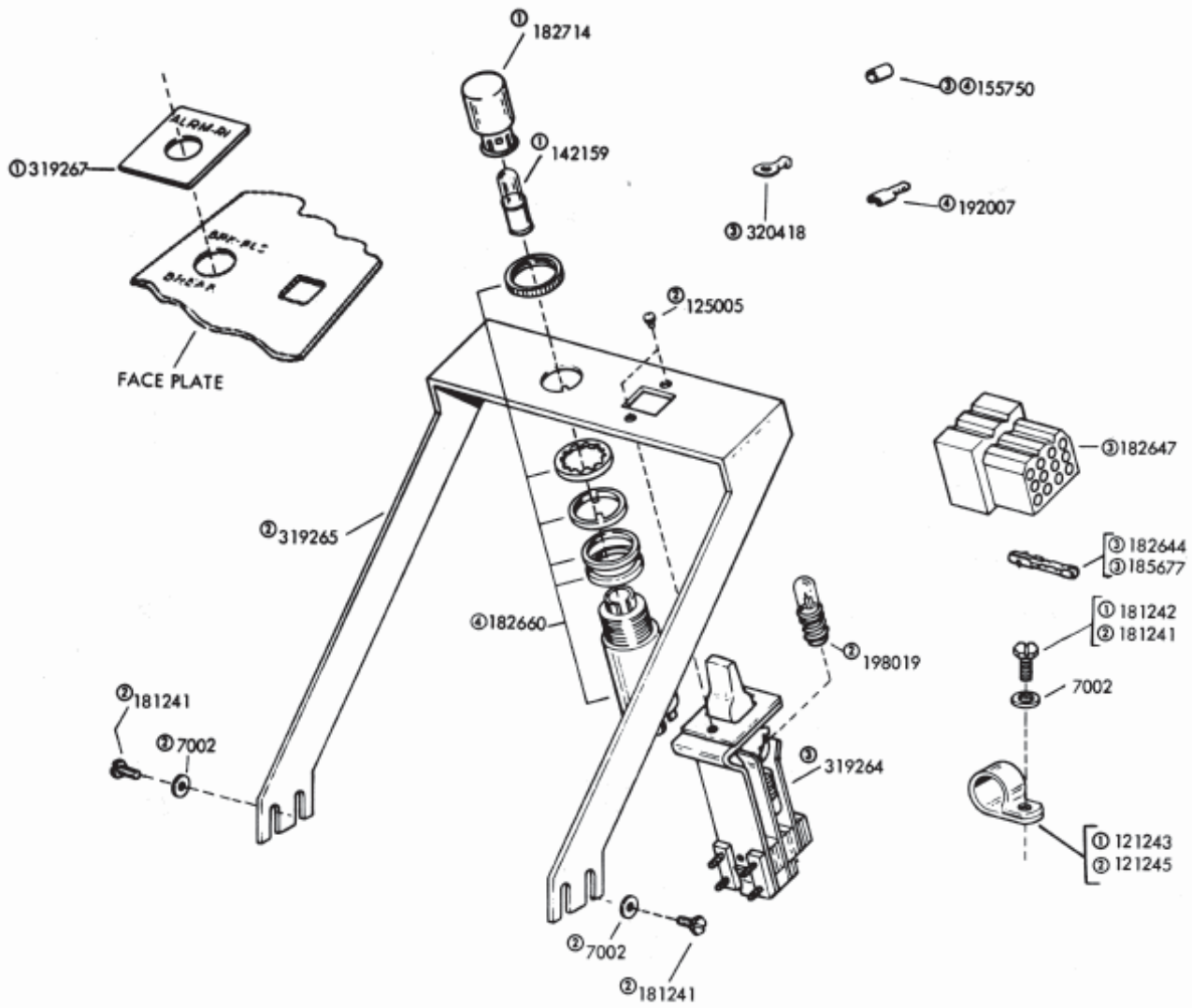
FIGURE 17. 193486 AND 195924 DIAL MODIFICATIONS

| Fuse and Nameplate Chart | | | | |
|--------------------------|--------|-----------|--------------|----------------------|
| Location | Fuse | Nameplate | Description | Notes |
| A | 162360 | 185688 | 8/10 A SL-BL | Used w/181879 Trnsf. |
| B | 117176 | 185679 | 1/2A SL-BL | Used w/181879 Trnsf. |
| C | | 185678 | 3/B A SL-BL | |



Specification 504235

FIGURE 18. 199409 MODIFICATION KIT TO PROVIDE FUSING IN THE PRIMARY OF THE CALL CONTROL LOW VOLTAGE TRANSFORMER



Specification 50,466S

- ① Peculiar to 319274
- ② Peculiar to 320489
- ③ 319263 Cable Assembly, Peculiar to 320489
- ④ 319269 Cable Assembly, Peculiar to 319274

FIGURE 19. 319274 AND 320489 MODIFICATION KITS TO ADD ALARM LAMPS WITH RELEASE SWITCHES

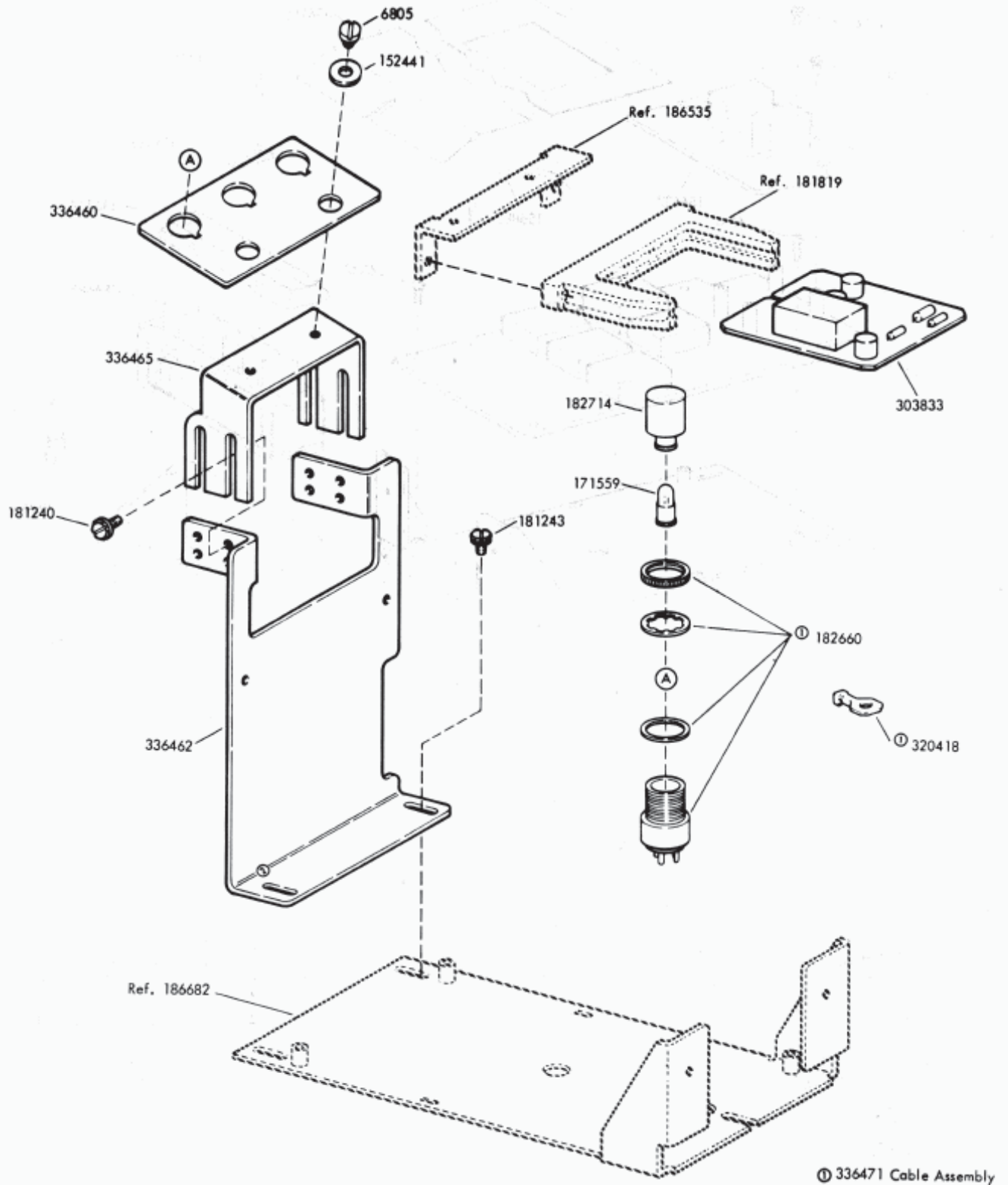


FIGURE 20. SIGNAL LINE BREAK DETECTION AND INDICATION FEATURES

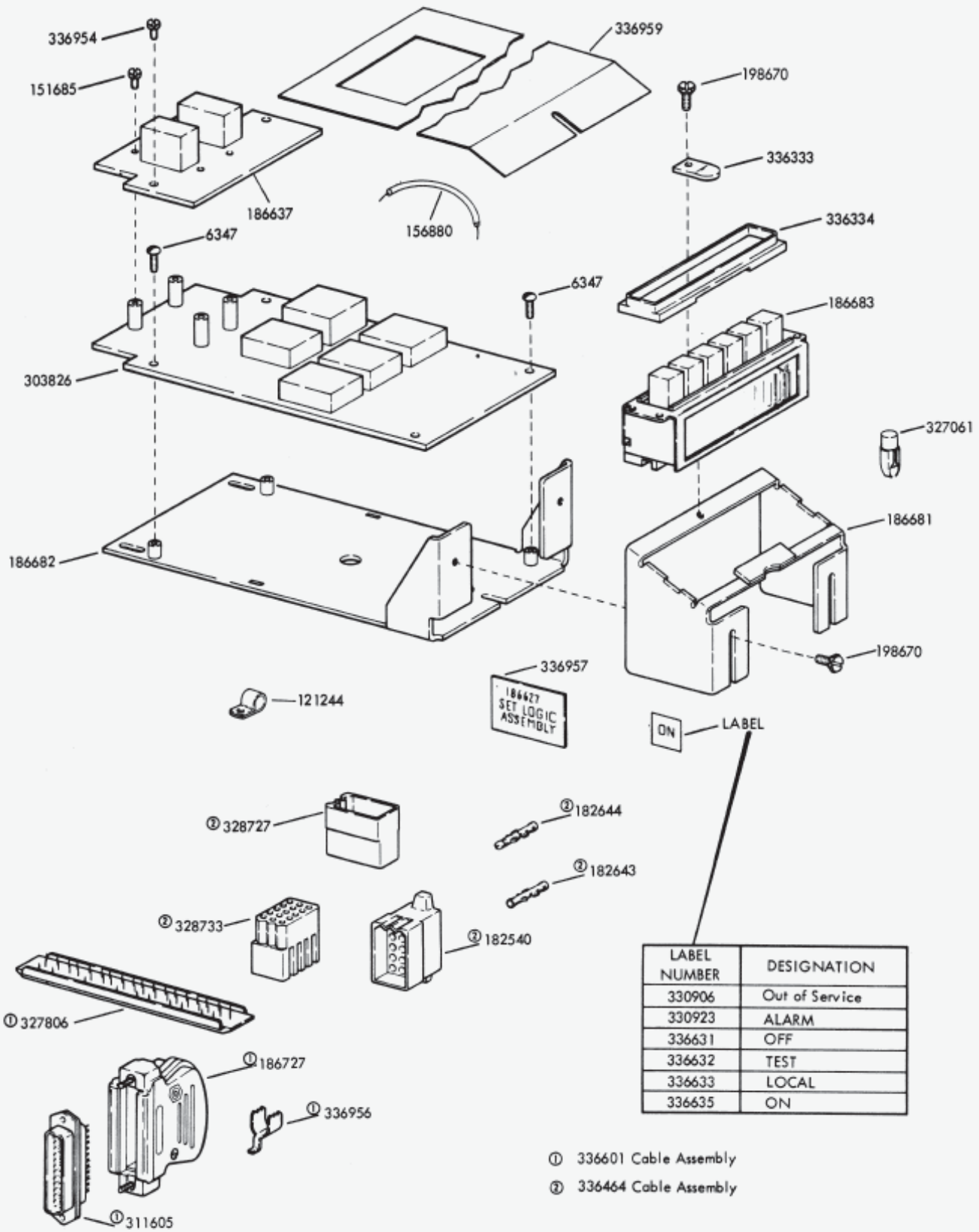


FIGURE 21. 186627 SET INTERFACE LOGIC ASSEMBLY

NUMERICAL INDEX

| Part Number | Description and Page Number | Part Number | Description and Page Number | Part Number | Description and Page Number |
|-------------|------------------------------------|-------------|-------------------------------|-------------|---|
| 1010 | Screw, 6-40 Shoulder 2 | 117176 | Fuse, SL-BL 0.5 Amp 4, 9,17 | 153631 | Network, Spark Suppression 6,8,12 |
| 1018 | Screw, 3-48 x 5/16 Fil 5 | 121243 | Clamp, 3/16 ID Cable 18 | 153799 | Screw, 4-40 x 21/64 Hex 3 |
| 1028 | Screw, 4-40 x 1/4 Fil 3, 11 | 121244 | Clamp, 1/4 ID Cable 20 | 153817 | Screw, 4-40 x 3/8 Hex 3 |
| 1248 | Screw, 6-40 x 1/2 Flat 11 | 121245 | Clamp, 5/16 ID Cable 18 | 155750 | Sleeve, 3/32 ID x 1/2" Lg Insulating 6,10,12,18 |
| 2191 | Lockwasher 5,6,9 to 11 | 124177 | Lockwasher 4,5,7,10,15,16 | 155751 | Sleeve, 1/8 ID x 1" Lg Insulating 12 |
| 3598 | Nut, 6-40 Hex 5,6,9 to 11 | 125005 | Screw, 2-56 x 3/16 RD 18 | 155752 | Sleeve, 5/64 ID x 1/2" Lg Insulating 12 |
| 3606 | Nut, 6-40 Hex 5 | 125011 | Washer, Flat 3,10 | 155753 | Sleeve, 1/8 ID x 1/2" Lg Insulating 6,10,12 |
| 3640 | Lockwasher 9 | 125015 | Washer, Flat 3,4,5,10,11 | 155754 | Sleeve, 1/16 ID x 1/2" Lg Insulating 12 |
| 3649 | Washer, Flat 4,5 | 125205 | Screw, 6-40 x 7/16 Fil 10 | 155755 | Sleeve, 11/64 ID x 5/8" Lg Insulating 4,6,10,12 |
| 6347 | Screw, 6-32 x 3/8 RD 20 | 128608 | Rheostat, 3,500 Ohm 11 | 156450 | Screw, 2-56 x 1/2 Fil 10 |
| 6805 | Screw, 6-40 Shoulder 9, 19 | 129919 | Fuse, SL-BL 4 Amp 4,9 | 156630 | Washer, Felt 3 |
| 6827 | Block 11 | 142159 | Bulb, 6V Lamp 18 | 156880 | Jumper, 2-3/8" Black 20 |
| 7001 | Washer, Flat 10 | 143613 | Lamp, 14V Incandescent 9 | 159597 | Washer, Flat 3 |
| 7002 | Washer, Flat 2 to 6, 8 to 11,14,18 | 144590 | Screw, 6-40 x 1-3/8 Fil 5,10 | 159931 | Clamp 4 |
| 8330 | Washer, Flat 4,10 | 145321 | Tie, Cable 12 | 159932 | Keeper 4 |
| 70072 | Lockwasher 5 | 147209 | Switch, SP-ST Pushbutton 9 | 160859 | Terminal 5 |
| 71073 | Washer, Flat 10 | 150705 | Bushing 11 | 161136 | Fuse, SL-BL 6-1/4 Amp 4 |
| 74615 | Resistor, 2,000 Ohm 11 | 150710 | Screw, 6-40 x 1-1/4 Fil 10 | 162360 | Fuse, SL-BL .8 Amp 4,17 |
| 75750 | Washer, Insulating 11 | 150966 | Insulator, Terminal Block 2 | 162441 | Resistor, 3,750 Ohm 11 |
| 77902 | Screw, 6-40 x 2-3/8 RD 11 | 150978 | Screw, 6-40 x 1-1/8 Fil 5 | 171536 | Resistor, 2,250 Ohm 6 |
| 77920 | Screw, 6-40 x 1-15/16 Fil 11 | 150982 | Screw, 4-40 x 7/16 Fil 3 | 171559 | Lamp, 28V Incandescent 19 |
| 81775 | Resistor, 8,000 Ohm 11 | 151073 | Screw, 4-40 x 5/32 Fil 2, 14 | 173716 | Terminal, Receptacle Type 12 |
| 82516 | Spring, Retaining 11 | 151335 | Stud 2,4,6,11 | 173941 | Terminal, Receptacle Type 12 |
| 87993 | Screw, 6-40 x 5/32 Fil 7,15 | 151411 | Block, Terminal 4,6 | 177113 | Insulator 5,10 |
| 90096 | Washer, Insulating 9 | 151412 | Insulator, Terminal Block 4,6 | 178535 | Suppression, Spark 2 |
| 90787 | Screw, 4-40 x 3/8 Hex 3 | 151415 | Block, Terminal 2 | 178831 | Connector, 2 Pt Receptacle 4,9 |
| 91943 | Jumper, 2-1/4" Black 6 | 151416 | Nut, 6-40 Hex 2,4,6 | 178832 | Plate, Adapter 4,9 |
| 92260 | Lockwasher 3 | 151442 | Screw, 6-40 x 1/2 Hex 5, 10 | 178883 | Resistor, 1,500 Ohm 6 |
| 93117 | Lockwasher 10 | 151631 | Screw, 6-40 x 5/16 Hex 11 | 179486 | Cover, Insulator 11 |
| 96717 | Screw, 4-40 Shoulder 3 | 151657 | Screw, 6-40 x 1/4 Fil 16 | 180586 | Sleeve, 5/32 ID x 21/32" Lg Insulating 12 |
| 98726 | Screw, 3-48 x 1/4 Fil 5 | 151660 | Screw, 6-40 x 7/8 Fil 4 | 180877 | Jumper, 2-3/4" White-Red 12 |
| 98738 | Resistor, 1,000 Ohm 11 | 151685 | Screw, 4-40 x 5/16 Fil 20 | 180880 | Jumper, 2-3/4" White-Green 12 |
| 99744 | Resistor, 8,000 Ohm 11 | 151693 | Screw, 6-40 x 9/16 Fil 5 | 180884 | Jumper, 2-3/4" White-Slate 12 |
| 103092 | Connector, Card 12 | 151734 | Screw, 4-40 x 3/8 Hex 9 | 180902 | Jumper, 3-1/2" Braided 12 |
| 107116 | Lockwasher 5,10,13 | 151819 | Jumper, 3" Black 12 | 180904 | Tab, Terminal 4,6 |
| 110435 | Nut, 4-40 Hex 10 | 151827 | Strap, Terminal 6 | | |
| 110743 | Lockwasher 2,3,10,14 | 152124 | Spacer 11 | | |
| 111017 | Screw, 6-40 x 5/16 Fil 2, 4,6 | 152441 | Washer, Flat 9,19 | | |
| 112485 | Screw, 6-32 x 1/4 Fil 9 | 152634 | Washer, Flat 2 | | |
| 112620 | Screw, 4-40 x 1/2 Hex 3, 10 | 152893 | Screw, 4-40 x 1/4 Hex 2,3 | | |
| 113442BR | Jumper, 2-1/2" Brown 6 | 153464 | Block, Terminal 11 | | |
| 114626 | Screw, 6-40 x 2-1/16 Fil 9 | 153484 | Screw, 6-32 Spl 2 | | |

NUMERICAL INDEX (Continued)

| Part Number | Description and Page Number | Part Number | Description and Page Number | Part Number | Description and Page Number |
|-------------|---|-------------|---|-------------|------------------------------------|
| 181240 | Screw w/Lockwasher, 6-40 x 3/16 Hex 4,7 to 10,19 | 181891 | Sleeve, 3/16 ID x 2-1/2" Lg Insulating 12 | 182554 | Spring, Compression 13 |
| 181241 | Screw w/Lockwasher, 6-40 x 1/4 Hex 2 to 11,14 to 18 | 181892 | Sleeve, 9/64 ID x 1" Lg Insulating 12 | 182555 | Bar, Latch 13 |
| 181242 | Screw w/Lockwasher, 6-40 x 5/16 Hex 4,18 | 181893 | Sleeve, 3/64 ID x 1-1/2" Lg Insulating 6,12 | 182556 | Lockout 13 |
| 181243 | Screw w/Lockwasher, 6-40 x 3/8 Hex 4,19 | 181894 | Sleeve, 3/64 ID x 2" Lg Insulating 12 | 182557 | Bracket 13 |
| 181246 | Screw w/Lockwasher, 6-40 x 5/8 Hex 10 | 181895 | Sleeve, 9/64 ID x 3/8" Lg Insulating 12 | 182558 | Frame 13 |
| 181266 | Bushing, Insulating 10 | 181901** | Faceplate 15 | 182559 | Plunger 13 |
| 181281 | Bracket, Right 8,14,16 | 181902** | Faceplate 14 | 182560 | thru |
| 181282 | Bracket, Left 8,14,16 | 181903** | Faceplate 14 | 182562 | Contact Assembly 13 |
| 181283 | Spacer, .065" Thk 2,14 | 181999 | Insulator 10 | 182563 | Plate w/Bracket 3 |
| 181287 | Holder, Card 15,16 | 182090 | Dial Assembly, Touch Tone & Card 1,7 | 182565 | Bracket 3 |
| 181288 | Label, White 14 to 16 | 182091 | Dial Assembly, Rotary 1,8 | 182566 | Bracket, Left 3 |
| 181289 | Window, Plastic 14 to 16 | 182092 | Dial Assembly, Manual Touch Tone 1,7 | 182569 | Clamp 6 |
| 181292 | Window, Plastic 14,15 | 182093 | Dial Assembly, DC Card 1,8 | 182571 | Screw, 6-40 Shoulder 3 |
| 181392 | Terminal, Tab Type 4 | 182162 | Post 5 | 182576 | Bracket, Right 3 |
| 181424 | Nut, 6-40 Sq 10 | 182181 | Fan 4 | 182577 | Bracket 3 |
| 181631 | Strip Assembly, Lamp 3 | 182182 | Holder, Fuse 4,9,17 | 182580 | thru |
| 181632 | Button Assembly 3 | 182251 | Plate, Identification 5 | 182584 | Key Assembly 13 |
| 181637 | Bracket 13 | 182284 | Insulator, .015" Thk 10 | 182586 | thru |
| 181638 | Contact Assembly 13 | 182494 | Card Set, Index 7,15,16 | 182589 | Key Assembly 13 |
| 181645 | Dial, Rotary 3 | 182495 | Card Set, Dialing 7,15,16 | 182611 | Fuse, SL-BL 3/8 Amp 6 |
| 181661 | Buzzer, 115V AC 3 | 182500 | Dial, Rotary 3,8,14 | 182615 | Pad 6 |
| 181672 | Relay, Power 5 | 182501 | Capacitor, 1,500 MFD 5,10 | 182619 | Screw, 6-40 Shoulder 2 |
| 181675 | Transistor, Power 5,10 | 182502 | Nut, No.14 Speed 2,3 | 182620 | Dial, Touch Tone 7,14 |
| 181818 | Cable Assembly 10 | 182503 | Ringer w/Terminals 2 | 182621 | Dial, Touch Tone & Card 7,15 |
| 181819 | Connector, 15 Pt Circuit Card 10,19 | 182510 | Card, Power 12 | 182622 | Dial, DC Card 8,16 |
| 181822 | Bracket 10 | 182523 | Clamp, 1-3/8" ID Mounting 10 | 182630 | Card, Circuit 10 |
| 181826 | Jumper, 2" Black 4 | 182524 | Button Assembly 3 | 182643 | Terminal, Plug Type 4,10 to 12,20 |
| 181828 | Jumper, 2-3/4" White-Orange 12 | 182527 | Screw, 4-40 Shoulder 3 | 182644 | Terminal, Receptacle Type 12,18,20 |
| 181829 | Jumper, 2-3/4" White-Blue 12 | 182529 | Lamp, 10V 3 | 182645 | Connector, 9 Pt Receptacle Type 12 |
| 181830 | Jumper, 2-3/4" White-Yellow 12 | 182532 | Filter 2,14 | 182647 | Connector, 12 Pt Plug Type 18 |
| 181831 | Jumper, 2-3/4" White-Purple 12 | 182533 | Screw, 6-32 x 5/16 RD 13 | 182650 | Connector, 6 Pt Plug Type 12 |
| 181832 | Jumper, 2-3/4" White-Brown 12 | 182534 | Screw, 4-40 Spl 13 | 182658 | Socket, Lamp 9 |
| 181836 | Jumper, 4-1/2" Black 12 | 182535 | Spring 13 | 182660 | Switch, Pushbutton 9,18,19 |
| 181837 | Jumper, 4-1/2" Black 12 | 182536 | Connector, 15 Pt Circuit Card 4,5,10,12 | 182661 | Holder, Fuse 6 |
| 181848 | Nameplate 4 | 182539 | Connector, 15 Pt Receptacle Type 4,6 | 182663 | Plunger 13 |
| 181879 | Transformer, Power 4,17 | 182540 | Connector, 15 Pt Plug Type 4,20 | 182664 | Contact Assembly 13 |
| 181890 | Sleeve, 1/16 ID x 1" Lg Insulating 12 | 182553 | Baseplate 13 | 182666 | Bar, Latch 13 |

**Refer to page 1 for finish suffix

NUMERICAL INDEX (Continued)

| Part Number | Description and Page Number | Part Number | Description and Page Number | Part Number | Description and Page Number |
|-------------|---------------------------------------|-------------|------------------------------------|-------------|--|
| 182684 | Strap 3 | 182795 | Switch, DP-DT 9 | 193476 | Jumper, 2-3/4" Black 4,12 |
| 182686 | Resistor Assembly, 50,000 Ohm 7,14,15 | 182796 | Insulator, .032" Thk 4 | 193486 | Modification Kit 1,16 |
| 182688 | Switch, Turn Button 9 | 182799 | Capacitor, .20 -.30 MFD 4,7,14,15 | 193487 | Modification Kit 14 |
| 182693 | Jumper, 2-1/4" Orange 12 | 183111 | Label 10 | 193488 | Modification Kit 1,15 |
| 182695 | Driver Assembly, Selector Magnet 1,10 | 183141 | Holder, Card 15,16 | 193489 | Modification Kit 1,14 |
| 182696 | Cable Assembly 10 | 183524 | Button, Turn 9 | 195566 | Cap, Blue Lens 9 |
| 182698 | Cable w/Terminals 8,16 | 183525 | Washer, Flat 9 | 195614 | Pin, Key 4,6 |
| 182700 | Baseplate 2,4,10,17 | 183526 | Ring, Retaining 9 | 195618 | Jumper, 5-1/4" White-Purple 6 |
| 182704 | Bracket 4,17 | 185676 | Terminal, Plug Type 10, 12 | 195924 | Modification Kit 1,16 |
| 182706 | Plate, Pilot 9 | 185677 | Terminal, Receptacle Type 5,12,18 | 195926 | Modification Kit 1,14 |
| 182707 | Bracket, Pilot 9 | 185678 | Plate, Identification 6,17 | 195927 | Modification Kit 1,15 |
| 182708 | Bracket, Left 2 | 185679 | Plate, Identification 4,9, 17 | 197054 | Jumper, 3" Black 17 |
| 182709 | Bracket, Right 2,14 | 185684 | Plate, Identification 4,9 | 198019 | Lamp, 6V 18 |
| 182710 | Bracket, Upper 4 | 185686 | Plate, Identification 4 | 198515 | Card, Circuit 5 |
| 182711 | Bracket, Lower 4 | 185688 | Plate, Identification 4, 17 | 198517 | Bracket 5 |
| 182713 | Cap, Amber Lens 9 | 186059 | Terminal 5,10 | 198518 | Bushing, Insulating 5,10 |
| 182714 | Cap, White Lens 9,18,19 | 186060 | Screw, 6-40 Shoulder 3 | 198519 | Insulator 5 |
| 182715 | Cap, Red Lens 9 | 186224 | Plate 3 | 198520 | Insulator, .062" Thk 5 |
| 182716 | Connector, 9 Pt Plug Type 10 | 186535 | Bracket 19 | 198521 | Bracket 5 |
| 182717 | Board, Terminal 3 | 186595 | Dial, Touch-Tone 7,14 | 198522 | Clip, Spring 5 |
| 182718 | Buzzer, 10V AC 2 | 186596 | Dial, Touch-Tone 7,15 | 198528 | Bracket 6 |
| 182719 | Bracket, Guide 4 | 186597 | Card Set Dialing 7,15,16 | 198529 | Strip, Terminal 6 |
| 182720 | Bracket, Dial 7,14 | 186598** | Faceplate 14 | 198650 | Key, Polarizing 10 |
| 182721 | Bracket 2 | 186599** | Faceplate 15 | 198670 | Screw w/Lockwasher, 6-40 x 5/16 Hex 20 |
| 182722 | Transformer w/Terminals 10 | 186601 | Modification Kit 1,14 | 199311 | Insulator 9 |
| 182723 | Bracket 2,3,8,16 | 186602 | Modification Kit 1,15 | 199397 | Bracket, Fuse 4,17 |
| 182724 | Plate, Dial 8,16 | 186603 | Modification Kit 1,15 | 199409 | Modification Kit 1,17 |
| 182725 | Plate, Tone Dialer 7,15 | 186627 | Logic Assembly 1,20 | 300340 | Bushing 2 |
| 182726 | Terminal, Receptacle Type 10,12 | 186628 | Bracket 4,17 | 301706 | Plate, Mounting 2 |
| 182727 | Bracket, Left 8,14 | 186637 | Card, Circuit 20 | 301712 | Ringer 2 |
| 182728 | Bracket, Right 8,14 | 186681 | Bracket 20 | 301713 | Connector, 2 Pt Receptacle 4 |
| 182729 | Link, Ringer 2 | 186682 | Bracket 19,20 | 301716 | Resistor, 5,000 Ohm 2 |
| 182731 | Post 4 | 186683 | Key Assembly 20 | 301721 | Resistor, 5,000 Ohm 7 |
| 182732 | Connector, 50 Pt Plug 12 | 186727 | Clamp 20 | 301743 | Dial, Touch-Tone 7 |
| 182733 | Connector, 50 Pt Receptacle 12 | 186739 | Cover 10 | 301745 | Diode 12 |
| 182750 | Card, Amplifier Circuit 4 | 186741 | Jumper, 9" Green 4 | 301756 | Plate, Pilot 9 |
| 182761 | Capacitor, 0.5 MFD 2 | 187069 | Barrier 5 | 301757 | Switch, Illuminated Pushbutton 9 |
| 182765 | Plate, Volume Control 7 | 192007 | Terminal, Tab Type 8, 12, 16 to 18 | 301758 | Cable Assembly 12 |
| 182768 | Bracket, Fuse 4 | 192285 | Bracket, Receptacle 4 | 301759 | Capacitor, .40-.60 MFD 4 |
| 182769 | Block 9 | 193434 | Button Assembly 3 | 301766 | Resistor, 270 Ohm 4 |
| 182781 | Jumper, 2-3/4" White-Red 12 | 193438 | Strip, Lamp 3 | 301769 | Bar, Latch 13 |
| 182789 | Resistor, 200 Ohm 7,14,15 | 193470 | Cable Assembly 12 | 301778 | Resistor, 75 Ohm 9 |
| 182791 | Bracket 9 | 193472 | Plug w/Straps 4 | 303163 | Card, Circuit 5 |
| 182793 | Plate, Heat Sink 10 | 193473 | Cable Assembly 12 | 303810 | Card, Circuit 6 |
| | | | | 303826 | Card, Circuit 20 |

**Refer to page 1 for finish suffix

NUMERICAL INDEX (Continued)

| Part Number | Description and Page Number | Part Number | Description and Page Number | Part Number | Description and Page Number |
|-------------|------------------------------------|-------------|---------------------------------------|-------------|---------------------------------|
| 303833 | Card, Circuit 19 | 319274 | Modification Kit 1,18 | 330906 | Label, Out of Service 20 |
| 304992 | Bushing, Block 3 | 320408 | Terminal, Spade Type 7, 8,12,14,15,16 | 330923 | Label, Alarm 20 |
| 304995 | Mounting Assembly, Line Relay 1,11 | 320410 | Terminal, Spade Type 12 | 333515 | Shield, Transformer 10 |
| 304996 | Cable 11 | 320411 | Terminal, Spade Type 12 | 334167 | Network, Spark Suppression 8,16 |
| 304997 | Relay, Line Mercury 11 | 320412 | Terminal, Spade Type 5,10 | 334847 | Lamp, 14V 9 |
| 304998 | Plate, Relay Mounting 11 | 320418 | Terminal, Ring Type 4, 12,18,19 | 336333 | Plate, Nut 20 |
| 304999 | Bracket 11 | 320420 | Terminal, Ring Type 10, 12 | 336334 | Collar 20 |
| 305084 | Bracket 11 | 320489 | Modification Kit 1,18 | 336460 | Plate 19 |
| 305407 | Plate, Pilot 9 | 321543 | Bracket 10 | 336462 | Bracket 19 |
| 305409 | Cap, Blue Lens 9 | 327061 | Lamp, 24 V 20 | 336464 | Cable Assembly 20 |
| 305410 | Cable Assembly 12 | 327326 | Jumper, 2-3/4" Green 12 | 336465 | Bracket 19 |
| 305431 | Cable Assembly 12 | 327806 | Plug 20 | 336471 | Cable Assembly 19 |
| 305453 | Transformer w/terminals 5 | 328591 | Strap, Cable 4 | 336601 | Cable Assembly 20 |
| 305454 | Transformer 5 | 328727 | Connector, 15 Pt Plug Type 20 | 336631 | Label 20 |
| 305688 | Card, Circuit 6 | 328733 | Connector, 15 Pt Receptacle Type 20 | 336632 | Label 20 |
| 305689 | Card, Circuit 6 | 330781 | Shield, Transformer 5 | 336633 | Label 20 |
| 308536 | Bar, Latch 13 | 330782 | Shield, Transformer 5, 10 | 336635 | Label 20 |
| 311406 | Terminal, Receptacle Type 10,12 | 330791 | Cable Assembly 12 | 336954 | Screw, 4-40 x 13/64 Fil 20 |
| 311605 | Connector, 25 Pt Plug 20 | 330792 | Transformer 10 | 336956 | Stayband 20 |
| 319263 | Cable Assembly 18 | | | 336957 | Label 20 |
| 319264 | Switch 18 | | | 336959 | Cover 20 |
| 319265 | Bracket 18 | | | 337995 | Transformer 5 |
| 319267 | Plate, Identification 18 | | | 343470 | Label 4 |
| 319269 | Cable Assembly 18 | | | | |