

BULLETIN NO. 1012  
ISSUE 2  
SEPTEMBER, 1931

# TELETYPE

PRINTING TELEGRAPH SYSTEMS

PERFORATOR PARTS  
BLACK & GREEN

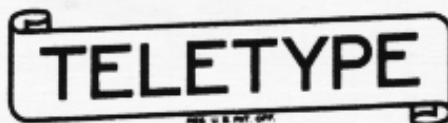
  
REG. U.S. PAT. OFF.  
CORPORATION  
SUBSIDIARY OF  
*Western Electric Company*  
CHICAGO, U.S.A.

BULLETIN NO. 1012  
ISSUE 2  
SEPTEMBER, 1931

# TELETYPE

PRINTING TELEGRAPH SYSTEMS

PERFORATOR PARTS  
BLACK & GREEN



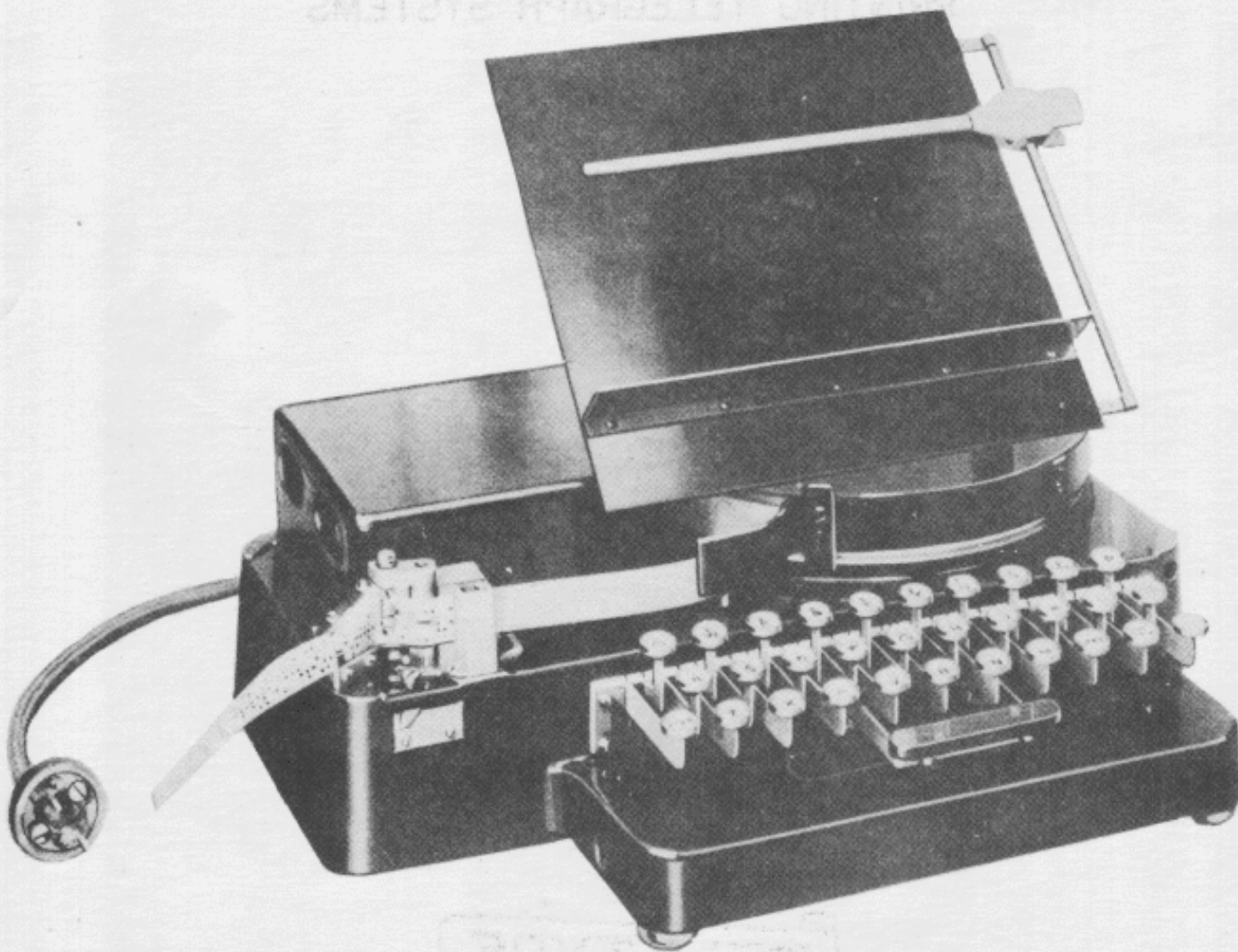
MADE IN U.S.A. PAT. 2,047, 2,048  
CORPORATION  
SUBSIDIARY OF  
*Western Electric Company*  
CHICAGO, U.S.A.

Printed in U. S. A.

BUCKET NO. 1112  
ISSUE 2  
SEPTEMBER 1951

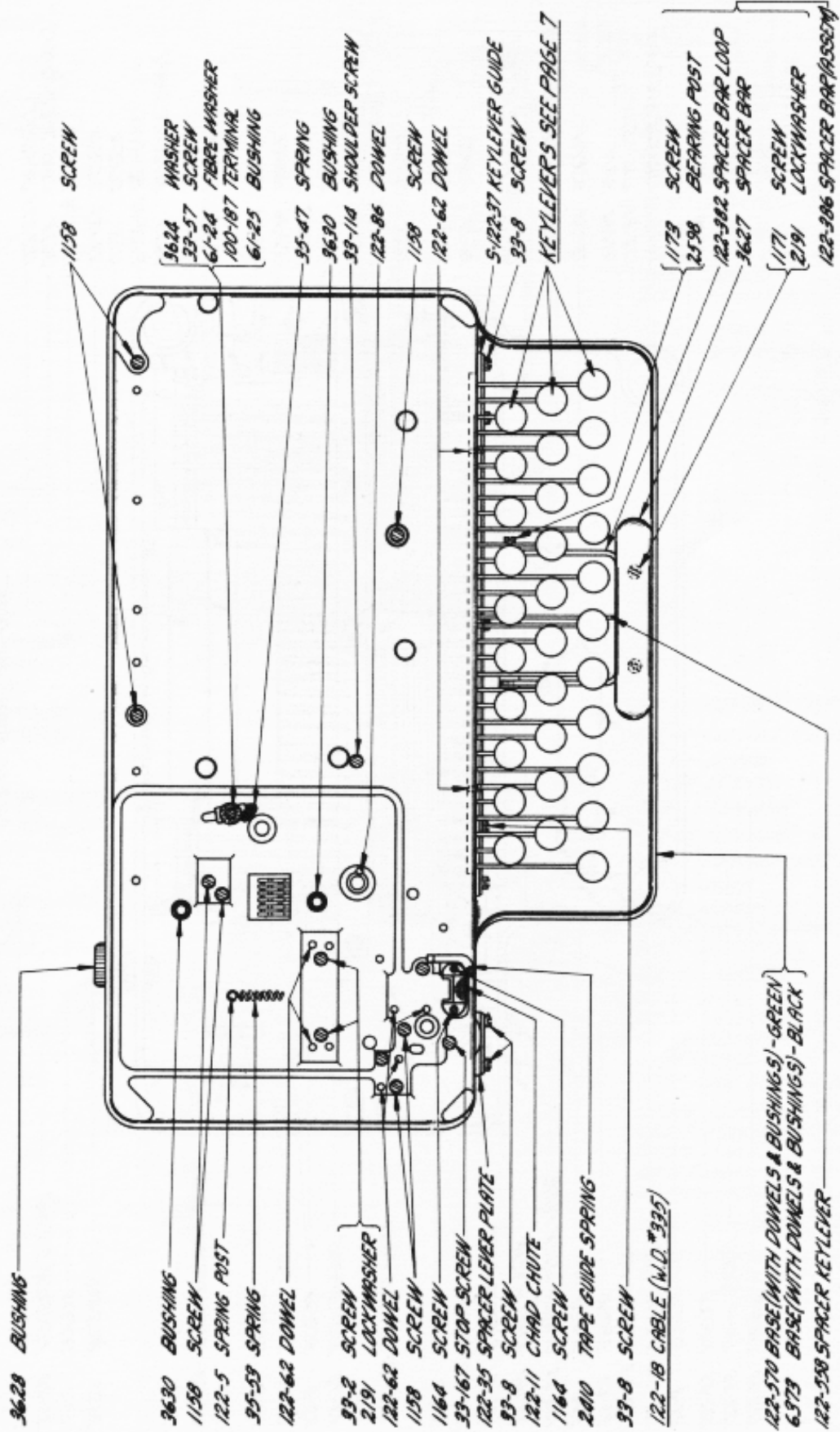
# TELETYPE

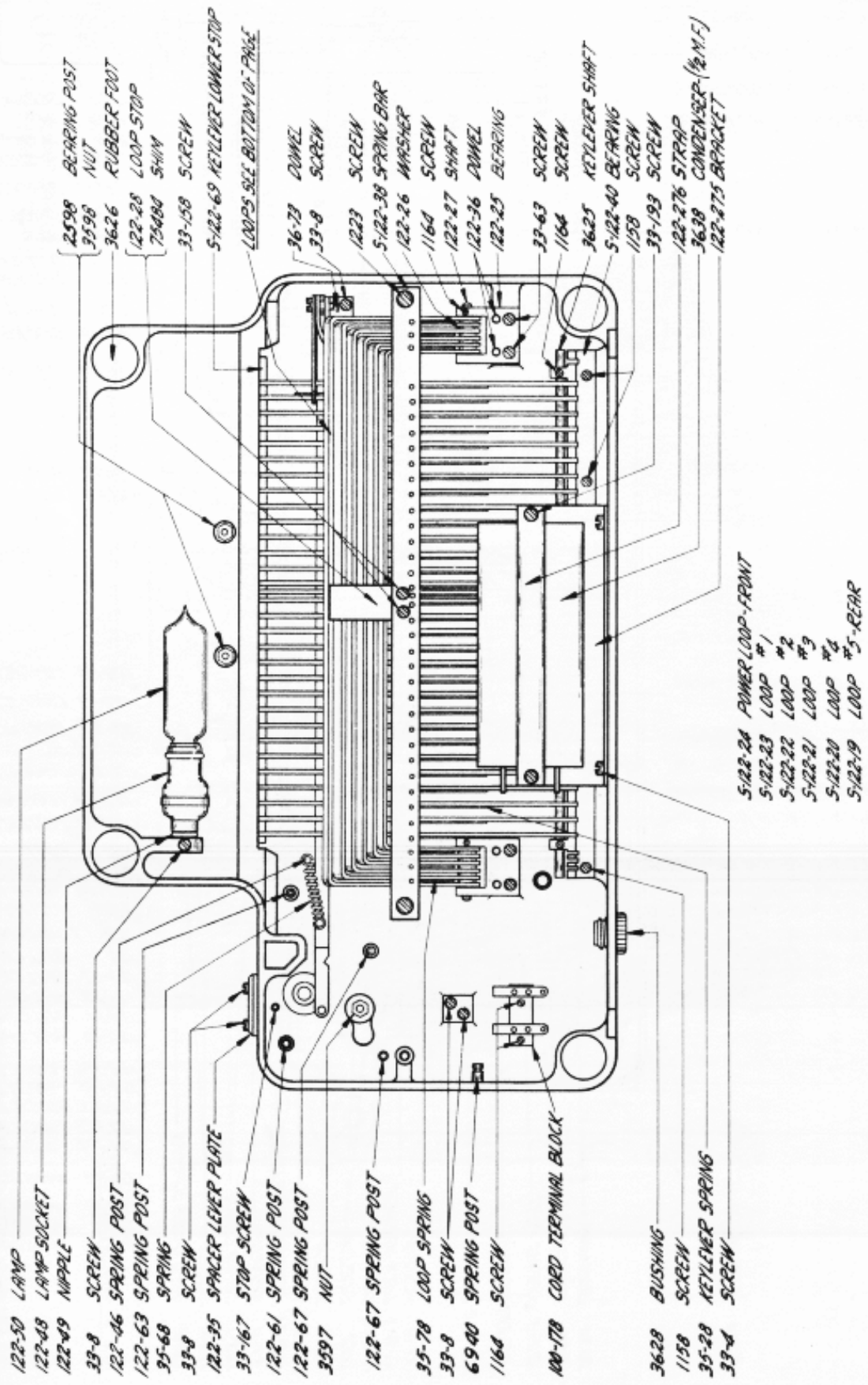
PRINTING TELEGRAPH SYSTEMS

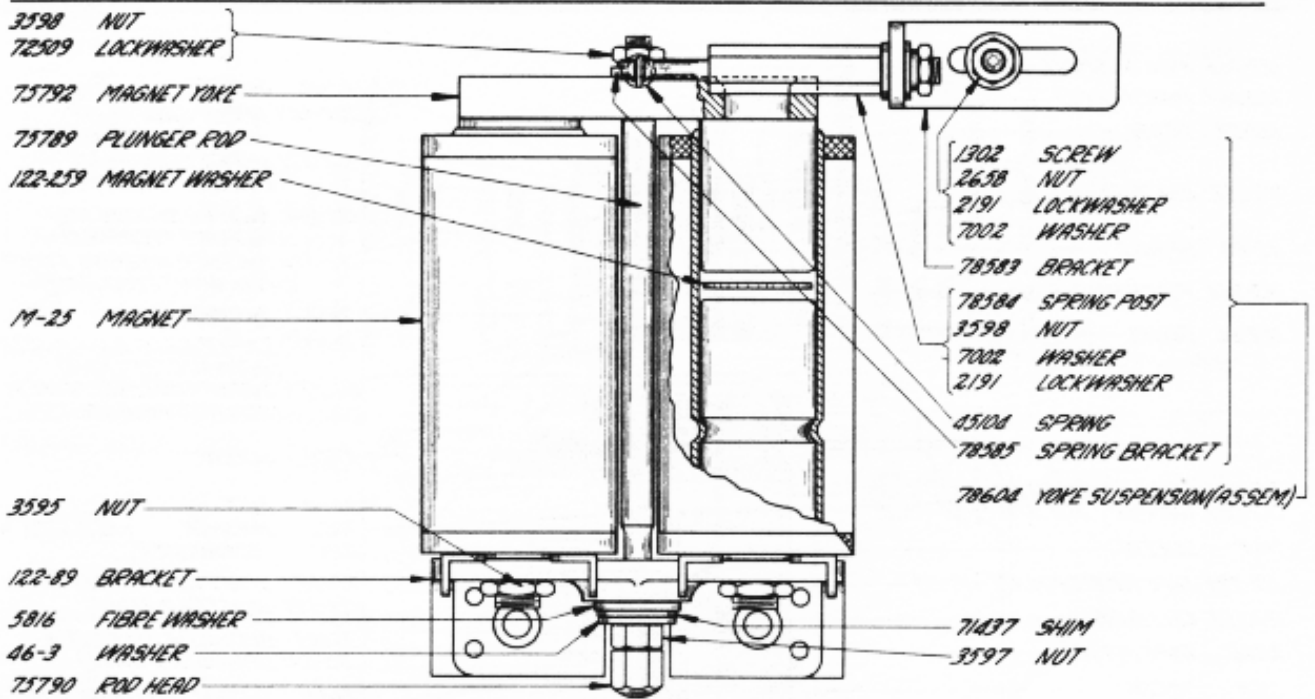


TELETYPE

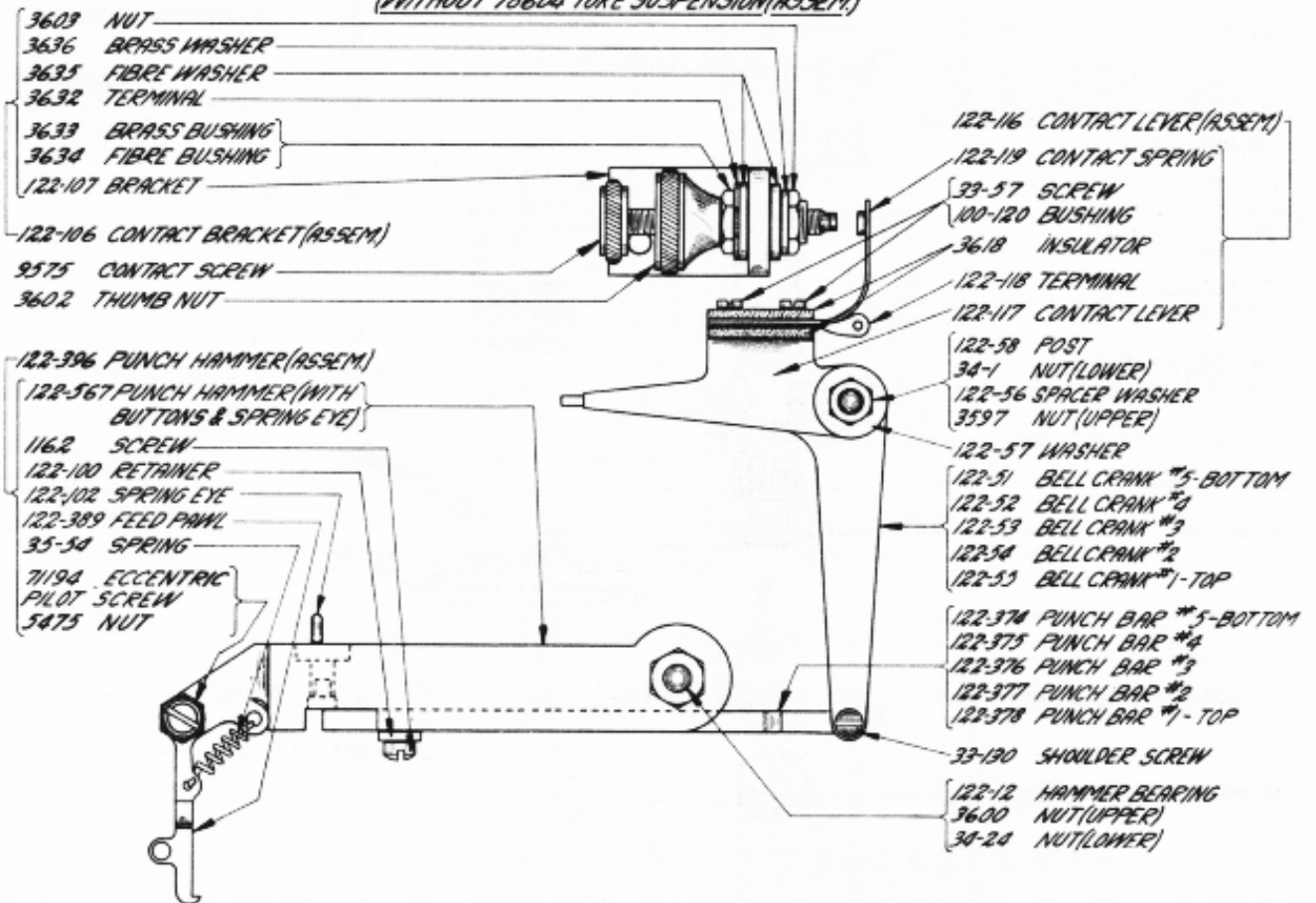
PRINTING TELEGRAPH SYSTEMS

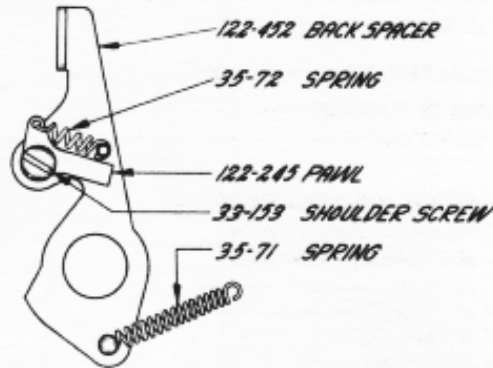
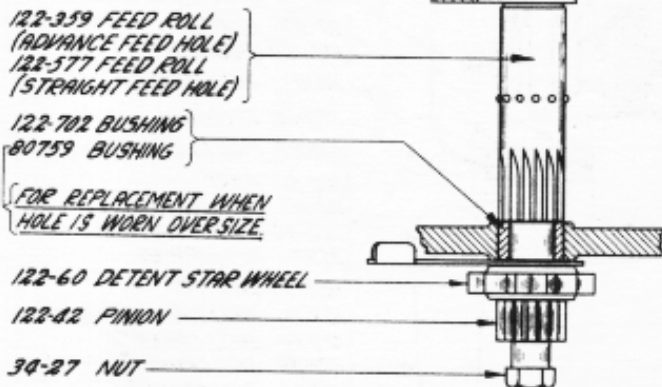
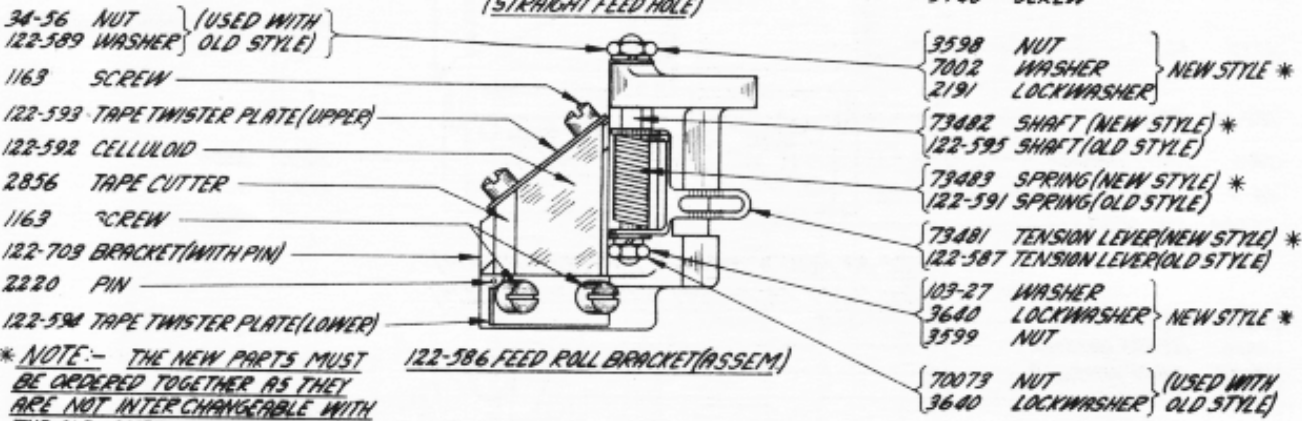
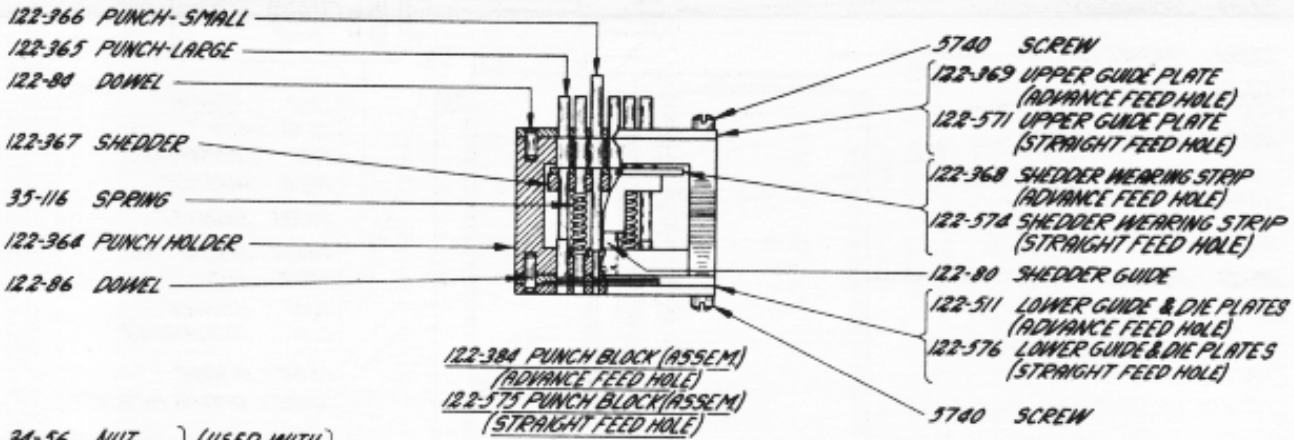




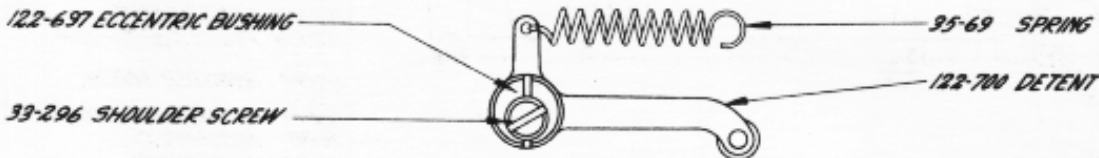


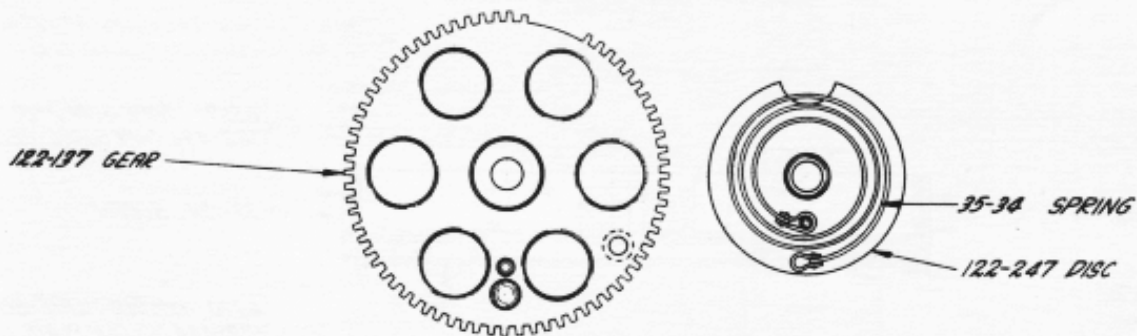
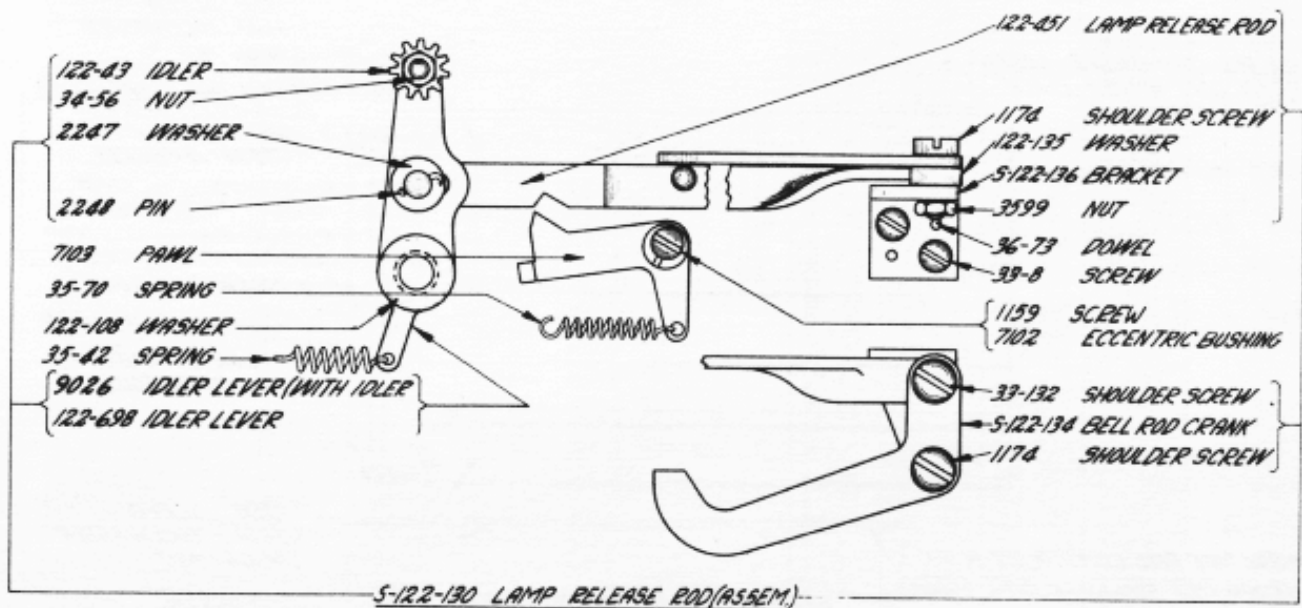
122-88 PUNCH MAGNET BRACKET (ASSEM)  
(WITHOUT 78604 YOKE SUSPENSION (ASSEM))



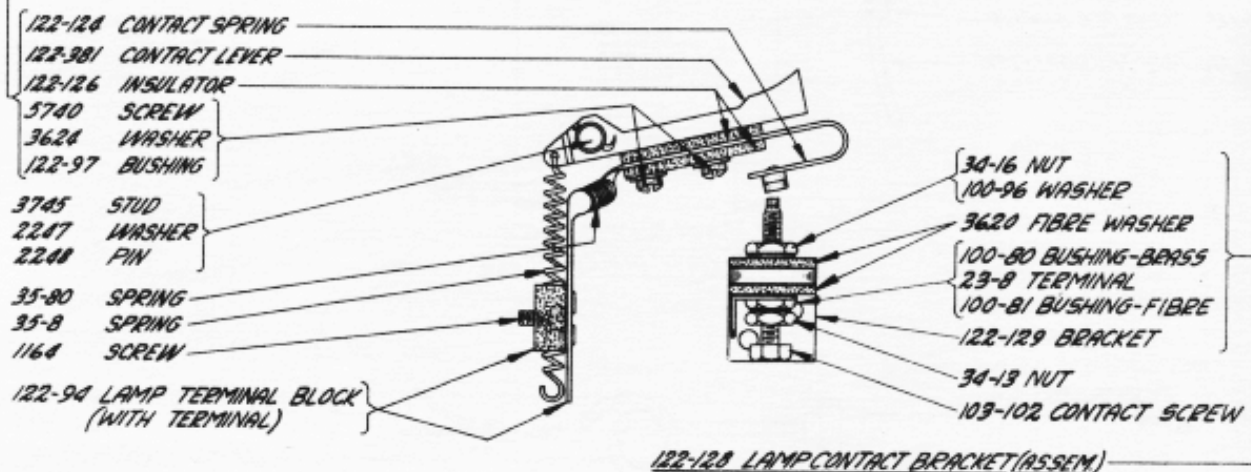


122-242 BACK SPACER (ASSEM) (WITHOUT 35-71 SPRING)

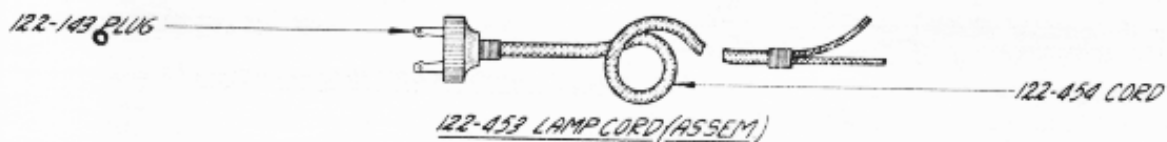
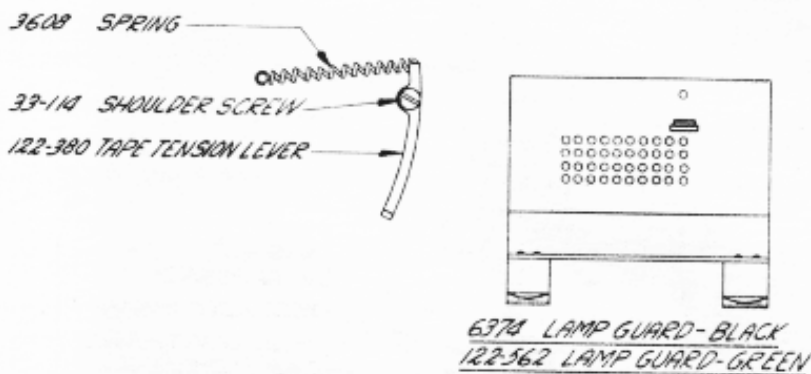
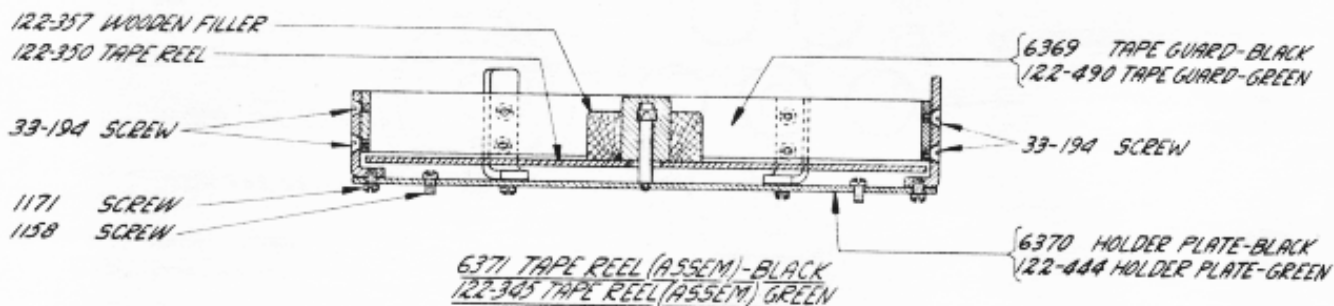
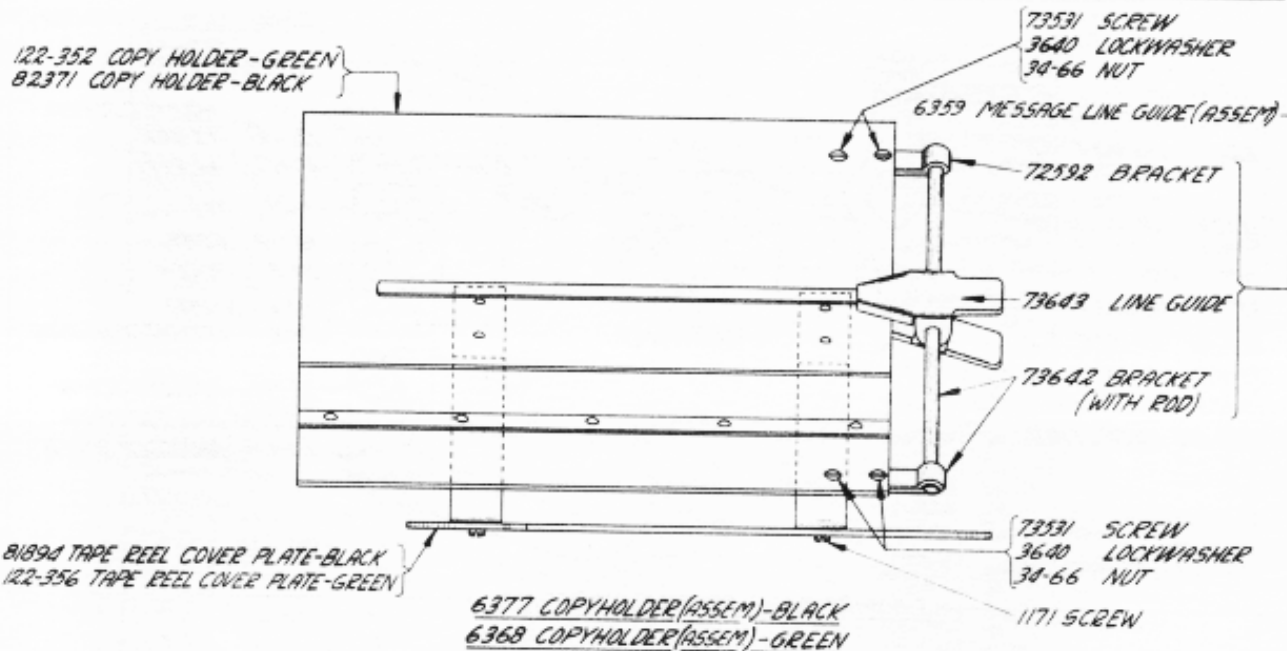




122-190 LAMP CONTACT LEVER (ASSEM.)

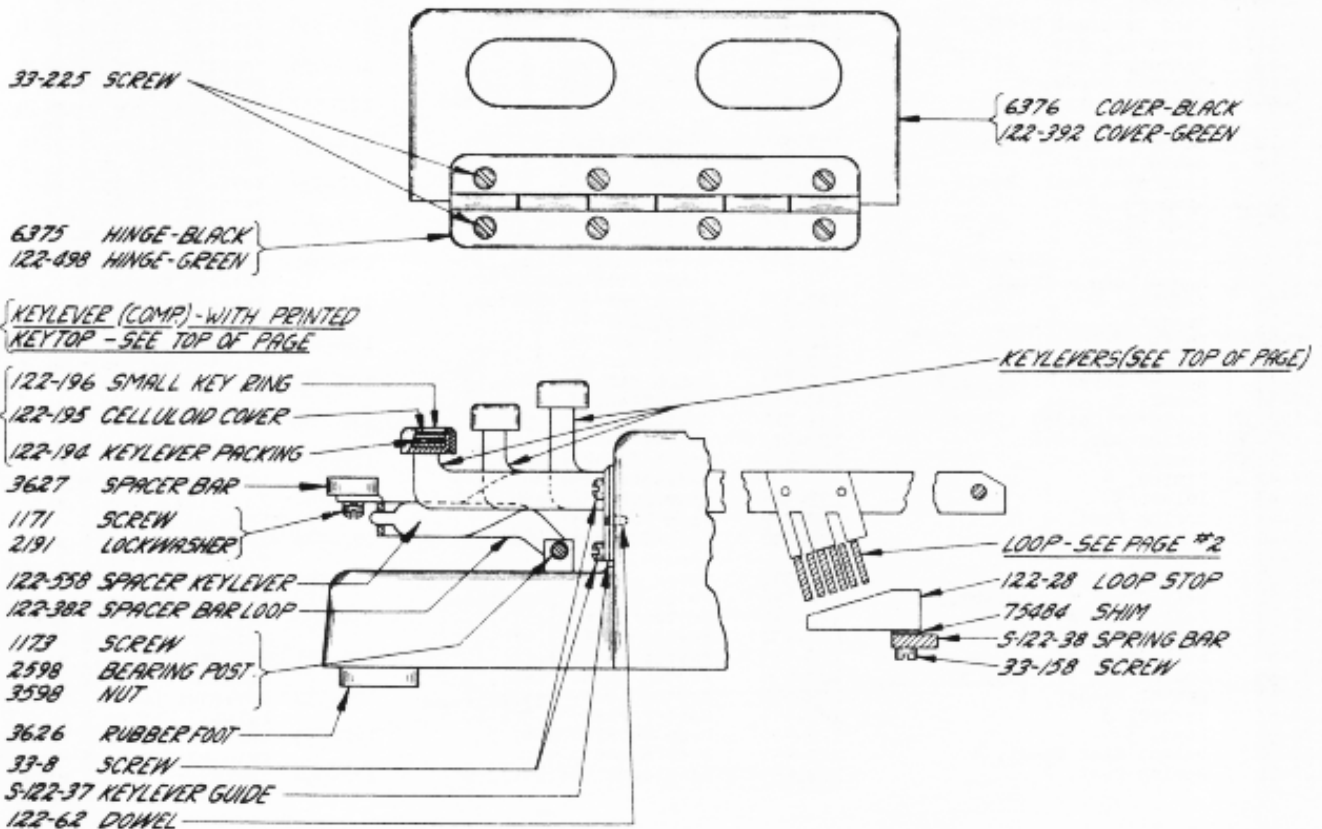






KEYTOP DISCRIP TION	PRINTED KEYTOP CATALOG NUMBER	KEYLEVER	KEYLEVER (COMP) WITH PRINTED KEYTOP
A -	122-459	122-596	122-528
B ?	122-460	122-597	122-529
B 1/4	75801	122-597	81910
C :	122-461	122-598	122-530
C 1/4	75799	122-598	81911
D \$	122-462	122-599	122-531
E 3	122-463	122-600	122-532
F CITY	122-464	122-601	122-533
F	122-704	122-601	81918
F 1	122-581	122-601	81919
F 1/4	75795	122-601	81912
G &	122-465	122-602	122-534
H &	122-466	122-603	122-535
H #	75796	122-603	81913
I 8	122-467	122-604	122-536
J 56L	122-468	122-605	122-537
J V	122-582	122-605	81920
K 1	122-469	122-606	122-538
K 1/4	75797	122-606	81914
L 1	122-470	122-607	122-539
L 1/4	75798	122-607	81915
M *	122-471	122-608	122-540
M %	122-707	122-608	81921
M P	80384	122-608	81922
N *	122-472	122-609	122-541
N *	122-706	122-609	81923
N 1/4	75802	122-609	81916
O-9	122-473	122-610	122-542

KEYTOP DISCRIP TION	PRINTED KEYTOP CATALOG NUMBER	KEYLEVER	KEYLEVER (COMP) WITH PRINTED KEYTOP
P 0	122-474	122-611	122-543
Q 1	122-475	122-612	122-544
R 4	122-476	122-613	122-545
S THR	122-477	122-614	122-546
S 56L	122-580	122-614	81924
S *	2216	122-614	81925
S	122-709	122-614	81926
S BELL	122-710	122-614	81927
T 5	122-478	122-615	122-547
U 7	122-479	122-616	122-548
V 1	122-480	122-617	122-549
V 1/4	75800	122-617	81917
W 2	122-481	122-618	122-550
X 1	122-482	122-619	122-551
Y 6	122-483	122-620	122-552
Z **	122-484	122-621	122-553
* #	122-705	122-623	81928
* *	122-708	122-624	81929
* *	75902	122-623	81930
* *	80385	122-623	81931
* *	80383	122-623	81932
* *	80382	122-624	81933
= #	75903	122-624	81934
BLANK	122-431	122-622	122-554
CAR RET	122-435	122-623	122-555
LINE FEED	122-434	122-624	122-556
FIGS	122-432	122-625	122-557
LTRS	122-433	122-626	122-559



NUMERICAL INDEX

23-8	Terminal, 5	122-52	Dowel, 1,7	122-454	Cord, 6
33-2	5-32x3/8 Screw, 1	122-53	Spring Post, 2	122-459	Keypad (A -), 7
33-4	5-32x1/4 Screw, 2	122-67	Spring Post, 2	122-460	Keypad (B ?), 7
33-8	4-35x1/4 Screw, 1,2,5,7	8-122-69	Keylever Lower Stop, 2	122-461	Keypad (C :), 7
33-50	4-40 Shoulder Screw, 5	122-80	Shedder Guide, 4	122-462	Keypad (D \$), 7
33-57	2-55x9/32 Screw, 1,3	122-84	Dowel, 4	122-463	Keypad (E 3), 7
33-53	6-32x1/2 Screw, 2	122-85	Dowel, 1,4	122-464	Keypad (F City), 7
33-114	3-48 Shoulder Screw, 1,6	122-88	Punch Magnet Bracket (Assem.), 3	122-465	Keypad (G &), 7
33-130	1-72 Shoulder Screw, 3	122-89	Bracket, 3	122-466	Keypad (H £), 7
33-132	4-40 Shoulder Screw, 5	122-94	Lamp Terminal Block (With Terminal), 5	122-467	Keypad (I 8), 7
33-153	3-48 Shoulder Screw, 4	122-97	Bushing, 5	122-468	Keypad (J Sgl.), 7
33-158	5-40x1/2 Screw, 2, 7	122-100	Retainer, 3	122-469	Keypad (K ), 7
33-157	Stop Screw, 1,2	122-102	Spring Eye, 3	122-470	Keypad (L ), 7
33-193	6-32x1 Screw, 2	122-106	Contact Bracket (Assem.), 3	122-471	Keypad (M .), 7
33-194	Screw, 6	122-107	Bracket, 3	122-472	Keypad (N ), 7
33-225	6-32x3/16 Screw, 7	122-108	Washer, 5	122-473	Keypad (O 9), 7
33-293	5-40 Shoulder Screw, 4	122-115	Contact Lever (Assem.), 3	122-474	Keypad (P 0), 7
34-1	1/4-32 Hex. Nut, 3	122-117	Contact Lever, 3	122-475	Keypad (Q 1), 7
34-13	3-56 Hex. Nut, 5	122-118	Terminal, 3	122-476	Keypad (R 4), 7
34-15	5/32-60 Hex. Nut, 5	122-119	Contact Spring, 3	122-477	Keypad (S Thr.), 7
34-24	1/4-32 Hex. Nut, 3	122-124	Contact Spring, 5	122-478	Keypad (T 5), 7
34-27	5/32-40 Hex. Nut, 4	122-125	Insulator, 5	122-479	Keypad (U 7), 7
34-56	4-40 Hex. Nut, 4,5	122-128	Lamp Contact Bracket (Assem.), 5	122-480	Keypad (V ), 7
34-66	4-36 Hex. Nut, 6	122-129	Bracket, 5	122-481	Keypad (W 2), 7
35-8	Spring, 5	8-122-130	Lamp Release Rod (Assem.), 5	122-482	Keypad (X /), 7
35-28	Keylever Spring, 2	8-122-134	Bell Rod Crank, 5	122-483	Keypad (Y 6), 7
35-34	Spring, 5	122-135	Washer, 5	122-484	Keypad (Z *), 7
35-42	Spring, 5	122-137	Gear, 5	122-485	Terminal, 5
35-47	Spring, 1	122-143	Plug, 6	122-490	Tape Guard - Green 6
35-53	Spring, 1	122-194	Keylever Packing, 7	122-498	Hinge - Green, 7
35-54	Spring, 3	122-195	Celluloid Cover, 7	122-511	Lower Guide and Die Plates (Advance Feed Hole), 4
35-58	Spring, 2	122-196	Small Key Ring, 7	122-528	Keylever (Comp.) with Printed Keypad A -, 7
35-59	Spring, 4	122-242	Back Spacer (Assem.), 4	122-529	Keylever (Comp.) with Printed Keypad B ?, 7
35-70	Spring, 5	122-245	Pawl, 4	122-530	Keylever (Comp.) with Printed Keypad C :, 7
35-71	Spring, 4	122-247	Disc, 5	122-531	Keylever (Comp.) with Printed Keypad D \$, 7
35-72	Spring, 4	122-259	Magnet Washer, 3	122-532	Keylever (Comp.) with Printed Keypad E 3, 7
35-78	Loop Spring, 2	122-275	Bracket, 2	122-533	Keylever (Comp.) with Printed Keypad F City, 7
35-80	Spring, 5	122-275	Strap, 2	122-534	Keylever (Comp.) with Printed Keypad G &, 7
35-115	Spring, 4	122-275	Tape Reel (Assem.) - Green, 5	122-535	Keylever (Comp.) with Printed Keypad H £, 7
35-73	Dowel, 2,5	122-345	Tape Reel, 6	122-536	Keylever (Comp.) with Printed Keypad I 8, 7
46-3	Washer, 3	122-350	Copy Reel - Green, 6	122-537	Keylever (Comp.) with Printed Keypad J Sgl., 7
61-24	Fibre Washer, 1	122-352	Tape Reel Cover	122-538	Keylever (Comp.) with Printed Keypad K (, 7
61-25	Bushing, 1	122-355	Plate - Green, 6	122-539	Keylever (Comp.) with Printed Keypad L ), 7
100-80	Brass Bushing, 5	122-357	Wooden Filler, 6	122-540	Keylever (Comp.) with Printed Keypad M ., 7
100-81	Fibre Bushing, 5	122-359	Feed Roll (Advance Feed Hole), 4	122-541	Keylever (Comp.) with Printed Keypad N ,, 7
100-96	Washer, 5	122-364	Punch Holder, 4	122-542	Keylever (Comp.) with Printed Keypad O 9, 7
100-120	Bushing, 3	122-365	Punch - Large, 4	122-543	Keylever (Comp.) with Printed Keypad P 0, 7
100-178	Cord Terminal Block, 2	122-365	Punch - Small, 4	122-544	Keylever (Comp.) with Printed Keypad Q 1, 7
100-187	Terminal, 1	122-367	Shedder, 4	122-545	Keylever (Comp.) with Printed Keypad R 4, 7
103-27	Washer, 4	122-368	Shedder Wearing Strip (Advance Feed Hole), 4	122-546	Keylever (Comp.) with Printed Keypad S Thr., 7
103-102	Contact Screw, 5	122-369	Upper Guide Plate (Advance Feed Hole), 4	122-547	Keylever (Comp.) with Printed Keypad T 5, 7
122-5	Spring Post, 1	122-374	Punch Bar #5 - Bottom, 3	122-548	Keylever (Comp.) with Printed Keypad U 7, 7
122-11	Chad Chute, 1	122-375	Punch Bar #4, 3	122-549	Keylever (Comp.) with Printed Keypad V ;, 7
122-12	Hammer Bearing, 3	122-375	Punch Bar #3, 3	122-550	Keylever (Comp.) with Printed Keypad W 2, 7
122-18	Cable, 1	122-377	Punch Bar #2, 3	122-551	Keylever (Comp.) with Printed Keypad X /, 7
8-122-19	Loop #5 - Rear, 2	122-378	Punch Bar #1 - Top, 3	122-552	Keylever (Comp.) with Printed Keypad Y 6, 7
8-122-20	Loop #4, 2	122-380	Tape Tension Lever, 6	122-553	Keylever (Comp.) with Printed Keypad Z *, 7
8-122-21	Loop #3, 2	122-381	Contact Lever, 5	122-554	Keylever (Comp.) with Printed Keypad Blank, 7
8-122-22	Loop #2, 2	122-382	Spacer Bar Loop, 1,7		
8-122-23	Loop #1, 2	122-384	Punch Block (Assem.) (Advance Feed Hole), 4		
8-122-24	Power Loop - Front, 2	122-385	Spacer Bar (Assem.), 1		
122-25	Bearing, 2	122-389	Feed Pawl, 3		
122-26	Washer, 2	122-390	Lamp Contact Lever (Assem.), 5		
122-27	Shaft, 2	122-392	Cover - Green, 7		
122-28	Loop Stop, 2,7	122-395	Punch Hammer (Assem.), 3		
122-35	Spacer Lever Plate, 1,2	122-431	Keypad (Blank), 7		
122-36	Dowel, 2	122-432	Keypad (Figs.), 7		
8-122-37	Keylever Guide, 1,7	122-433	Keypad (Ltrs.), 7		
8-122-38	Spring Bar, 2,7	122-434	Keypad (Line Feed), 7		
8-122-40	Bearing, 2	122-435	Keypad (Car. Ret.), 7		
122-42	Pinion, 4	122-444	Holder Plate - Green, 6		
122-43	Idler, 5	122-451	Lamp Release Rod, 5		
122-45	Spring Post, 2	122-452	Back Spacer, 4		
122-48	Lamp Socket, 2	122-453	Lamp Cord (Assem.), 6		
122-49	Nipple, 2				
122-50	Lamp, 2				
122-51	Bell Crank #5 - Bottom, 3				
122-52	Bell Crank #4, 3				
122-53	Bell Crank #3, 3				
122-54	Bell Crank #2, 3				
122-55	Bell Crank #1 - Top, 3				
122-56	Spacer Washer, 3				
122-57	Washer, 3				
122-58	Post, 3				
122-60	Detent Star Wheel, 4				
122-61	Spring Post, 2				

122-555	Keylever (Comp.) with Printed Keytop Car. Ret., 7	1159	Screw, 5	75798	Keytop (L 3/4), 7
122-555	Keylever (Comp.) with Printed Keytop Line Feed, 7	1162	4-40x1/4 Screw, 3	75799	Keytop (C 1/8), 7
122-557	Keylever (Comp.) with Printed Keytop Figs., 7	1163	4-40x3/16 Screw, 4	75800	Keytop (V 3/8), 7
122-558	Spacer Keylever, 1,7	1164	2-56x3/16 Screw, 1,2,5	75801	Keytop (B 5/8), 7
122-559	Keylever (Comp.) with Printed Keytop Ltra., 7	1171	5-32x3/16 Screw, 1,6,7	75802	Keytop (N 7/8), 7
122-562	Lamp Guard - Green, 6	1173	3-48x1/8 Screw, 1,7	75902	Keytop (.), 7
122-567	Punch Hammer (With Buttons and Spring Eye), 3	1174	4-40 Shoulder Screw, 5	75903	Keytop (= #), 7
122-570	Base (With Dowels and Bushings) - Green, 1	1223	10-32x1/2 Screw, 2	78583	Bracket, 3
122-571	Upper Guide Plate (Straight Feed Hole), 4	1302	5-32x3/4 Screw, 3	78584	Spring Post, 3
122-574	Shedder Wearing Strip (Straight Feed Hole), 4	2191	Lockwasher, 1,3,4,7	78585	Spring Bracket, 3
122-575	Punch Block (Assem.) (Straight Feed Hole), 4	2215	Keytop (S'), 7	78504	Yoke Suspension (Assem.), 3
122-576	Lower Guide and Die Plates (Straight Feed Hole), 4	2220	Pin, 4	80382	Keytop (.), 7
122-577	Feed Roll (Straight Feed Hole), 4	2247	Washer, 5	80383	Keytop (.), 7
122-580	Keytop (S Sgl.), 7	2248	Pin, 5	80384	Keytop (M'), 7
122-581	Keytop (F'), 7	2410	Tape Guide Spring, 1	80385	Keytop (.), 7
122-582	Keytop (J'), 7	2598	Bearing Post, 1,2,7	80759	Bushing, 4
122-586	Feed Roll Bracket (Assem.), 4	2558	5-32 Hex. Nut, 3	81894	Tape Reel Cover Plate - Black, 6
122-587	Tension Lever, 4	2856	Tape Cutter, 4	81910	Keylever (Comp.) With Printed Keytop B 5/8, 7
122-589	Washer, 4	3595	1/4-32 Hex. Nut, 3	81911	Keylever (Comp.) with Printed Keytop C 1/8, 7
122-591	Spring, 4	3597	5-32 Hex. Nut, 2,3	81912	Keylever (Comp.) with Printed Keytop F 1/4, 7
122-592	Celluloid, 4	3598	5-40 Hex. Nut, 2,3,4,7	81913	Keylever (Comp.) with Printed Keytop H #, 7
122-593	Tape Twister Plate (Upper), 4	3599	4-40 Hex. Nut, 4,5	81914	Keylever (Comp.) with Printed Keytop K 1/2, 7
122-594	Tape Twister Plate (Lower), 4	3600	3/16-40 Hex. Nut, 3	81915	Keylever (Comp.) with Printed Keytop L 3/4, 7
122-595	Shaft, 4	3602	Thumb Nut, 3	81916	Keylever (Comp.) with Printed Keytop N 7/8, 7
122-595	Keylever, 7	3603	1/4-32 Hex. Nut, 3	81917	Keylever (Comp.) with Printed Keytop V 3/8, 7
122-597	Keylever, 7	3608	Spring, 6	81918	Keylever (Comp.) with Printed Keytop F, 7
122-598	Keylever, 7	3618	Insulator, 3	81919	Keylever (Comp.) with Printed Keytop F 1, 7
122-599	Keylever, 7	3620	Fibre Washer, 5	81920	Keylever (Comp.) with Printed Keytop J', 7
122-600	Keylever, 7	3624	Washer, 1,5	81921	Keylever (Comp.) with Printed Keytop M #, 7
122-601	Keylever, 7	3625	Keylever Shaft, 2	81922	Keylever (Comp.) with Printed Keytop M', 7
122-602	Keylever, 7	3626	Rubber Foot, 2,7	81923	Keylever (Comp.) with Printed Keytop N', 7
122-603	Keylever, 7	3627	Spacer Bar, 1,7	81924	Keylever (Comp.) with Printed Keytop S Sgl., 7
122-604	Keylever, 7	3628	Spacer Bar, 1,7	81925	Keylever (Comp.) with Printed Keytop S', 7
122-605	Keylever, 7	3630	Bushing, 1,2	81926	Keylever (Comp.) with Printed Keytop S, 7
122-606	Keylever, 7	3632	Bushing, 1	81927	Keylever (Comp.) with Printed Keytop S Bell, 7
122-607	Keylever, 7	3633	Terminal, 3	81928	Keylever (Comp.) with Printed Keytop #, 7
122-608	Keylever, 7	3634	Brass Bushing, 3	81929	Keylever (Comp.) with Printed Keytop ., 7
122-609	Keylever, 7	3635	Fibre Bushing, 3	81930	Keylever (Comp.) with Printed Keytop ., 7
122-610	Keylever, 7	3636	Fibre Washer, 3	81931	Keylever (Comp.) with Printed Keytop ., 7
122-611	Keylever, 7	3638	Brass Washer, 3	81932	Keylever (Comp.) with Printed Keytop ., 7
122-612	Keylever, 7	3640	Condenser - 1/2 "H.F., 2	81933	Keylever (Comp.) with Printed Keytop ., 7
122-613	Keylever, 7	3745	Lockwasher, 4,5	81934	Keylever (Comp.) with Printed Keytop =#, 7
122-614	Keylever, 7	5475	Stud, 5	82371	Copy Holder - Black, 6
122-615	Keylever, 7	5476	3/16-40 Hex. Nut, 3		
122-616	Keylever, 7	5477	2-56x1/4 Screw, 4,5		
122-617	Keylever, 7	5816	Fibre Washer, 3		
122-618	Keylever, 7	6359	Message Line Guide (Assem.), 5		
122-619	Keylever, 7	6368	Copy Holder (Assem.) - Green, 6		
122-620	Keylever, 7	6369	Tape Guard - Black, 6		
122-621	Keylever, 7	6370	Holder Plate - Black, 6		
122-622	Keylever, 7	6371	Tape Reel (Assem.) - Black, 6		
122-623	Keylever, 7	6373	Base (With Dowels and Bushings) - Black, 1		
122-624	Keylever, 7	6374	Lamp Guard - Black, 6		
122-625	Keylever, 7	6375	Hinge - Black, 7		
122-625	Keylever, 7	6376	Cover - Black, 7		
122-697	Eccentric Bushing, 4	6377	Copy Holder (Assem.) - Black, 6		
122-698	Idler Lever, 5	6940	Spring Post, 2		
122-700	Detent, 4	7002	Washer, 3,4		
122-702	Bushing, 4	7102	Eccentric Bushing, 5		
122-703	Bracket (With Pin), 4	7103	Pawl, 5		
122-704	Keytop (F), 7	9025	Idler Lever (With Idler), 5		
122-705	Keytop (.), 7	9575	Contact Screw, 3		
122-706	Keytop (N'), 7	45104	Spring, 3		
122-707	Keytop (M #), 7	70073	3-48 Hex. Nut, 4		
122-708	Keytop (.), 7	71194	Eccentric Pilot Screw, 3		
122-709	Keytop (S'), 7	71437	Shim, 3		
122-710	Keytop (S Bell), 7	72509	Lockwasher, 3		
M-25	Magnet, 3	72592	Bracket, 5		
1158	5-32x5/16 Screw, 1,2,6	73481	Tension Lever, 4		
		73482	Shaft, 4		
		73483	Spring, 4		
		73531	4-36x3/8 Screw, 6		
		73642	Bracket (With Rod), 6		
		73643	Line Guide, 6		
		75484	Shim, 2,7		
		75789	Plunger Rod, 3		
		75790	Rod Head, 3		
		75792	Magnet Yoke, 3		
		75795	Keytop (F 1/4), 7		
		75796	Keytop (H #), 7		
		75797	Keytop (K 1/2), 7		

CHANGES IN BULLETIN NO. 1012  
(ISSUE 2, SEPTEMBER, 1931)  
PARTS - PERFORATOR

Page 1

A 73844 washer has been added under each of the two 1164 shade chute mounting screws.

The 122-18 cable (W.D. 335) has been replaced by a redesigned 94261 cable (W.D. 335). This new cable has provisions for the addition of a 200 ohm spark protection resistor.

A 92287 cable (W.D. 1672) is available for use on perforators equipped with a repeat device.

Page 3

The number for the large button used in the 122-567 punch hammer (with buttons and spring eye) is 122-101. The number for the small buttons is 122-438.

Page 4

A 91838 oversize feed roll bushing is now available for replacement purposes. This oversize bushing is .010 larger than the 122-702 bushing and .007 larger than the 80759 bushing.

Page 5

One of the two 34-56 nuts that mount the 122-43 idler gear in the S-122-130 lamp release rod (Assem.) has been omitted. An 87398 washer (mounted next to the 122-43 idler gear) and a 3640 lock washer are used instead.

82392 shims (.004 thick) are now available for use between the 122-381 contact lever and the 2247 washer on the 122-128 lamp contact bracket (Assem.). The purpose of these shims is to obtain the proper clearance between the contact lever and the gear.

Page 6

In the 6359 message line guide (Assem.) the 72592 bracket, 73642 bracket (with rod) and the four 73531 bracket mounting screws (3/8" long) have been replaced by a redesigned 87936 bracket, 89713 bracket (with rod) and four 1294 bracket mounting screws (1/2" long) respectively.

Page 7

An F # celluloid keytop is available and may be ordered as 97279.

Four of the 33-225 screws (two in the left end and two in the right end of the cover hinge) have been replaced by four 1262 screws. Sixteen 123-244 washers have been added (four under each 1262 screw) allowing the screw heads to project outward, thereby forming stops when the cover lid is opened and preventing any bearing against the power cord.

Sets of Parts

83446 set of pneumatic keytops consists of one each of the following keytops:

Number	Description	Number	Description	Number	Description
77541	Q 1	77551	A -	77561	FIGS
77542	W 2	77552	S BELL	77562	Z "
77543	E 3	77553	D §	77563	X /
77544	R 4	82974	F !	82978	C :
77545	T 5	77555	G &	82979	V ;
77546	Y 6	82975	H &	82980	B ?
77547	U 7	77557	J '	82981	N ,
77548	I 8	82976	K (	77568	M .
77549	O 9	82977	L )	77569	LTRS
77550	P 0	77560	CAR. RET.	77570	LINE FEED
				77571	BLANK

83973 radio interference filter consists of the following parts:

83972	Bracket	(1)	81825	Condenser (.01 M.F.)	(1)
81822	Retard Coil	(2)	83408	Screw	(2)
75750	Washer (Bakelite)	(4)	3640	Lock Washer	(2)
2254	Washer	(2)	91097	Filter Unit Lead (3-1/2" long)	(1)
80204	Screw	(2)	91098	Filter Unit Lead (3" long)	(1)

92288 set of parts to provide a repeat device consists of the following parts:

(A)92275	Contact and Bracket (Assem.)	(1)	1302	Screw	(1)
33-58	Screw	(2)	7002	Washer	(1)
7002	Washer	(2)	2191	Lock Washer	(1)
2191	Lock Washer	(2)	87477	Resistor - 1000 Ohms	(1)
92280	Bracket	(1)	92278	Bracket	(1)
1165	Screw	(2)	77902	Screw	(1)
75400	Screw	(2)	89969	Washer (Bakelite)	(2)
2929	Bushing (Bakelite)	(2)	123-244	Washer	(1)
92277	Bracket	(1)	2191	Lock Washer	(1)
6746	Screw	(2)	92282	Push Button Box	(1)
7002	Washer	(6)	33-65	Screw	(2)
2191	Lock Washer	(2)	103-27	Washer	(2)
81627	Relay	(1)	3640	Lock Washer	(2)
33-225	Screw	(2)	77964	Push Button	(1)
92276	Relay Guard	(1)	92281	Cover	(1)
8543	Screw	(1)	33-32	Screw	(2)
2191	Lock Washer	(1)	92287	Cable (Assem.)	(1)

(A) Consists of the following parts:

92274	Bracket	(1)	1051	Screw	(2)
81721	Contact Spring (with Insulator)	(1)	80334	Terminal	(2)
82930	Contact Spring	(1)	92279	Spring Arm	(1)
76790	Bushing (Bakelite)	(2)	1162	Screw	(2)
41733	Insulator (Bakelite)	(4)	3650	Washer	(2)
41732	Plate	(1)	3640	Lock Washer	(2)

93713 set of parts to provide a 200 ohm resistor in the spark protection circuit consists of the following parts:

92278	Bracket	(1)	7002	Washer	(1)
93711	Resistor - 200 Ohm	(1)	75750	Washer (Bakelite)	(2)
77902	Screw	(1)	93712	Strap (Wire)	(1)
2191	Lock Washer	(1)			

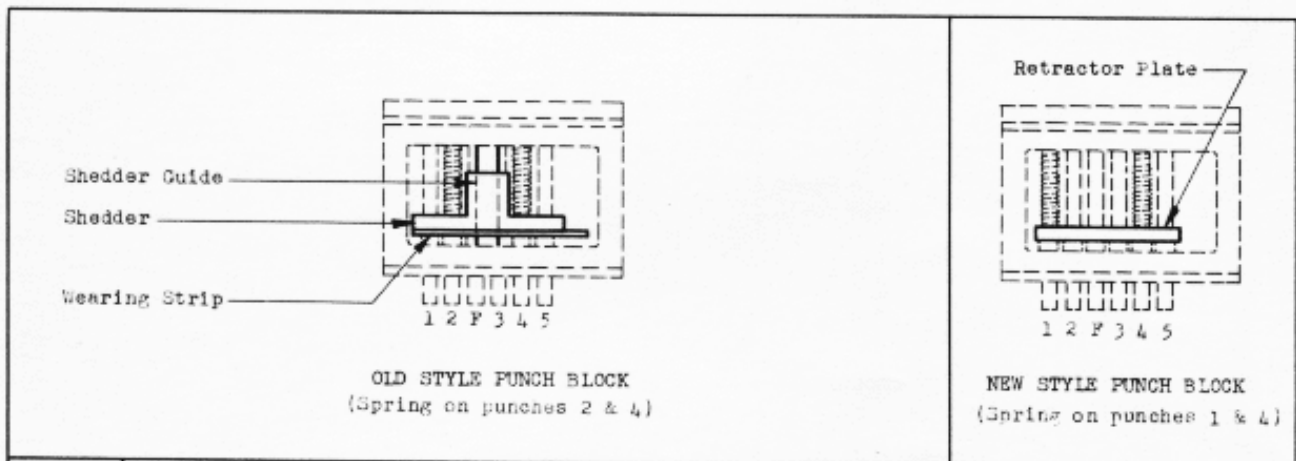
CHANGES AND ADDITIONS  
TO PARTS BULLETINS

1001	Issue 1	1067	Issue 2	1090	Issue 2
1012	Issue 2	1080	Issue 1	1093	Issue 1
1038	Issue 2	1082	Issue 2	1100	Issue 2
1052	Issue 1	1088	Issue 2	1117	Issue 2
1064	Issue 2	1089	Issue 1		

The punch block assemblies shown in the above bulletins have been redesigned and assigned new assembly numbers. Old style punch block assemblies are no longer furnished. On orders for old style blocks, new style assemblies which are fully interchangeable with the old style will be furnished.

The sketches below illustrate the difference between the old and new style assemblies, and it should be noted that the shedder and wearing strip are replaced by a retractor plate, and the shedder guides are not used. The shedder and wearing strip are no longer being furnished. When it is desired to replace a shedder or wearing strip, a retractor plate should be ordered instead.

The chart below may be used to determine the new style punch block assembly number which replaces an old style, and which retractor plate must be ordered to replace the old style shedder, and/or wearing strip.



Old Style Assembly Number	Apparatus Used On	Type of Punch Block			Shedder	Wearing Strip	New Style Assembly Number	Retractor Plate
		Number of Code Punch Holes	Type of Feed Hole	Grinding on Punches				
122-384	Perf. & nontyp. Reperf. (5 mag.)	5	Advanced	Cup Ground	122-367	122-368	112640	110902
122-575	Perf. & nontyp. Reperf. (5 mag.)	5	Straight	Cup Ground	122-367	122-574	111019	110901
77987	Perforator	6	Straight	Cup Ground	75121	77986	112642	110903
81510	Perforator	6	Advanced	Cup Ground	75121	75120	112643	110904
81792	Perf. Trans.	5	Straight	Cup Ground	75121	77986	111020	110901
85356	Nontyp. Reperf.	6	Advanced	V Notch	75121	75120	112645	110904
86113	Nontyp. Reperf.	5	Straight	V Notch	75121	77986	111021	110901
89504	Perf. Trans.	5	Straight	Cup Ground	75121	77986	111022	110901
91114	Perf. Trans.	5	Advanced	Cup Ground	75121	75120	112646	110902
94904	Perforator	7	Advanced	Cup Ground	94948	94950	112647	110905
95451	Typ. Reperf.	5	Straight	Cup Ground	122-367	122-574	111023	110901
97472	Nontyp. Reperf.	5	Advanced	V Notch	75121	75120	112648	110902
102790	Typ. Reperf.	5	Straight	Cup Ground	122-367	122-574	111024	110901
104573	Typ. Reperf.	5	Advanced	Cup Ground	122-367	122-368	112649	110902

CHANGES AND ADDITIONS  
TO BULLETIN NO. 1012 (ISSUE 2)  
PARTS - PERFORATOR

Page 4

The old style 122-587 tension lever, 122-591 spring and 122-595 shaft, used on the 122-586 feed roll bracket assembly, are no longer manufactured. When it becomes necessary to replace any one of these three parts, one each of the parts marked "new style" should be ordered instead.

All other old style parts are still available for use with the old style assembly.