

32 TAPE READER (UX)
PARTS

| FIGURE | CONTENTS | PAGE |
|--------|------------------|------|
| 1 | Reader Mechanism | 2 |
| 2 | Tape Feed Magnet | 3 |
| 3 | Contact Block | 3 |
| | Numerical Index | 4 |

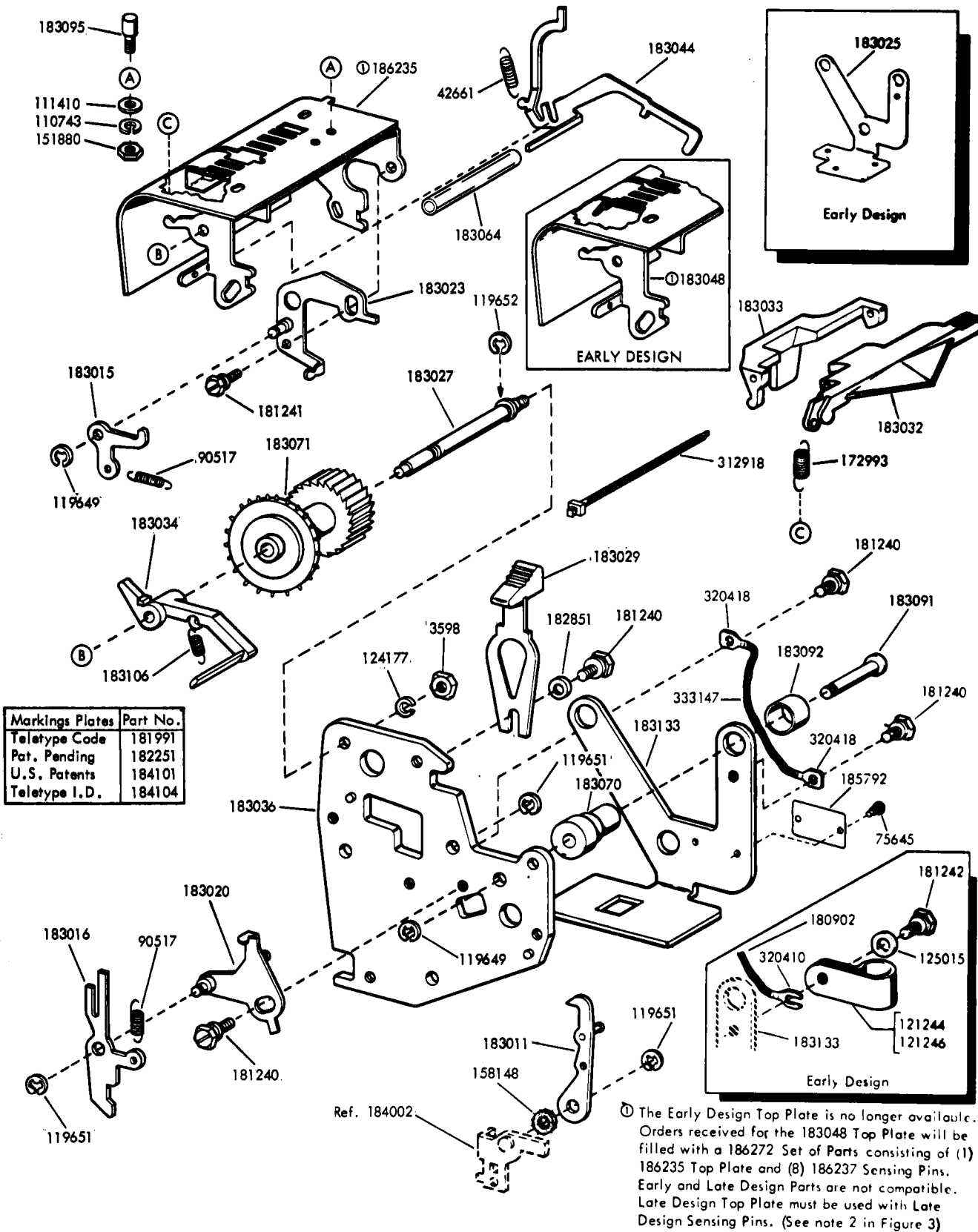


FIGURE 1. READER MECHANISM

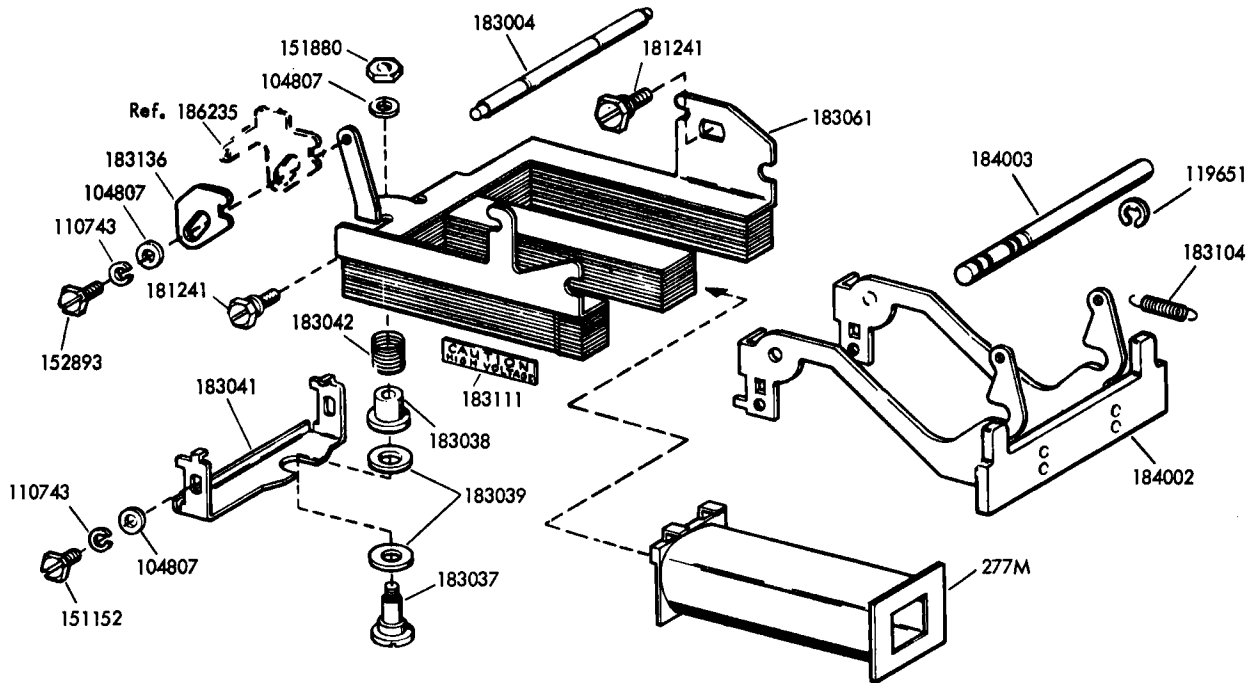


FIGURE 2. TAPE FEED MAGNET

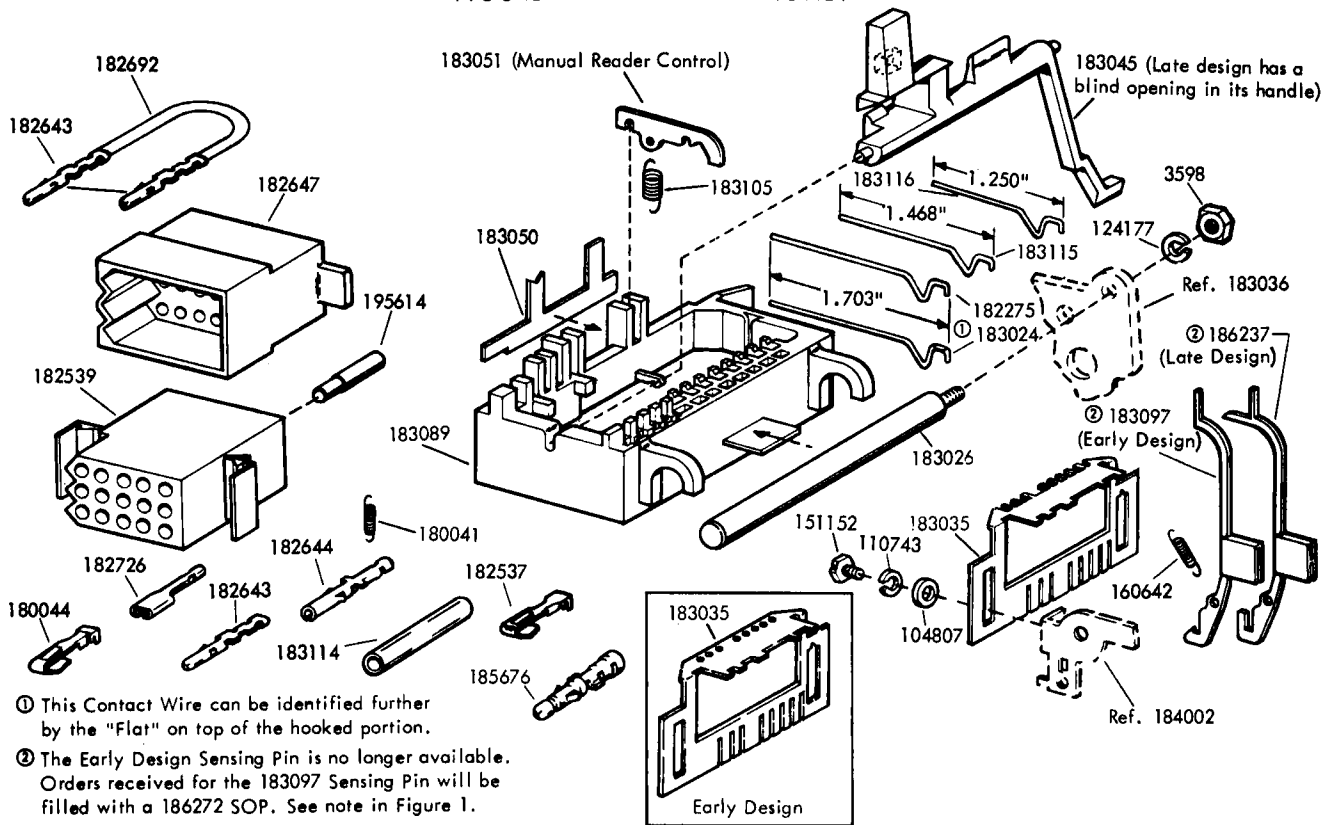


FIGURE 3. CONTACT BLOCK

NUMERICAL INDEX

| Part Number | Description and Page Number | Part Number | Description and Page Number | Part Number | Description and Page Number |
|-------------|---|-------------|------------------------------------|-------------|-----------------------------|
| 277M | Coil, Magnet 3 | 182539 | Connector, 15 Pt Receptacle Type 3 | 183050 | Bar, Common 3 |
| 3598 | Nut, 6-40 Hex 2,3 | | | 183051 | Lever, Detent 3 |
| 42661 | Spring 2 | 182643 | Terminal, Plug Type 3 | 183061 | Core, Magnet 3 |
| 75645 | Screw, No. 0 x 1/8 Drive 2 | 182644 | Terminal, Receptacle Type 3 | 183064 | Insulator, Tape Out Pin 2 |
| 90517 | Spring 2 | 182647 | Connector, 12 Pt Plug Type 3 | 183070 | Grommet, Spacer 2 |
| 104807 | Washer, Flat 3 | | | 183071 | Wheel, Feed 2 |
| 110743 | Washer, Lock 2,3 | 182692 | Jumper, 2-1/4" Orange 3 | 183089 | Block, Contact 3 |
| 111410 | Washer, Flat 2 | 182726 | Terminal, Receptacle Type 3 | 183091 | Post 2 |
| 119649 | Ring, Retaining 2 | | | 183092 | Cup 2 |
| 119651 | Ring, Retaining 2,3 | 182851 | Spacer, .062" Thk 2 | 183095 | Stud, Tape Guide 2 |
| 119652 | Ring, Retaining 2 | 183004 | Post, Spring 3 | 183097 | Pin, Sensing 3 |
| 121244 | Clamp, 1/4 ID Cable 2 | 183011 | Pawl, Feed 2 | 183104 | Spring 3 |
| 121246 | Clamp 3/8 ID Cable 2 | 183015 | Lever, Detent 2 | 183105 | Spring 3 |
| 124177 | Washer, Lock 2,3 | 183016 | Pawl, Blocking 2 | 183106 | Spring 2 |
| 125015 | Washer, Flat 2 | 183020 | Bracket, Blocking Pawl 2 | 183111 | Label 3 |
| 151152 | Screw, 4-40 x 3/16 Hex 3 | 183023 | Bracket, Detent 2 | 183114 | Sleeve, Insulating 3 |
| 151880 | Nut, 4-40 Hex 2,3 | 183024 | Wire, Contact 3 | 183115 | Wire, Contact 3 |
| 152893 | Screw, 4-40 x 1/4 Hex 3 | 183025 | Bracket 2 | 183116 | Wire, Contact 3 |
| 158148 | Washer, Felt 2 | 183026 | Post, Contact Block 3 | 183133 | Bracket 2 |
| 160642 | Spring 3 | 183027 | Shaft, Feed Wheel 2 | 183136 | Plate 3 |
| 172993 | Spring 2 | 183029 | Latch, Spring 2 | 184002 | Armature 2,3 |
| 180041 | Spring 3 | 183032 | Lid, Tape 2 | 184003 | Shaft, Armature 3 |
| 180044 | Terminal, Tab Type 3 | 183033 | Bail, Tight Tape 2 | 184101 | Plate, Identification 2 |
| 180902 | Jumper, 3-1/2" Braided 2 | 183034 | Lever, Tight Tape 2 | 184104 | Plate, Identification 2 |
| 181240 | Screw w/Lockwasher, 6-40 x 3/16 Hex 2 | 183035 | Guide, Sensing Pin 3 | 185676 | Terminal, Plug Type 3 |
| 181241 | Screw w/Lockwasher, 6-40 x 5/16 Hex 2,3 | 183036 | Plate, Back 2,3 | 185792 | Plate, Identification 2 |
| 181242 | Screw w/Lockwasher, 6-40 x 5/16 Hex 2 | 183037 | Screw, 4-40 Shoulder 3 | 186235 | Plate, Top 2,3 |
| 181991 | Plate, Identification 2 | 183038 | Bushing, Upstop 3 | 186237 | Pin, Sensing 2,3 |
| 182251 | Plate, Identification 2 | 183039 | Buffer, Upstop 3 | 186272 | Set of Parts 2,3 |
| 182275 | Wire, Contact 3 | 183041 | Bracket, Upstop 3 | 195614 | Pin, Key 3 |
| 182537 | Terminal, Tab Type 3 | 183042 | Spring, Compression 3 | 312918 | Strap 2 |
| | | 183044 | Pin, Tape Out 2 | 320410 | Terminal, Spade Type 2 |
| | | 183045 | Lever, Start-Stop 3 | 320418 | Terminal, Ring Type 2 |
| | | 183048 | Plate, Top 2 | 333147 | Jumper, 1-3/4" Braided 2 |