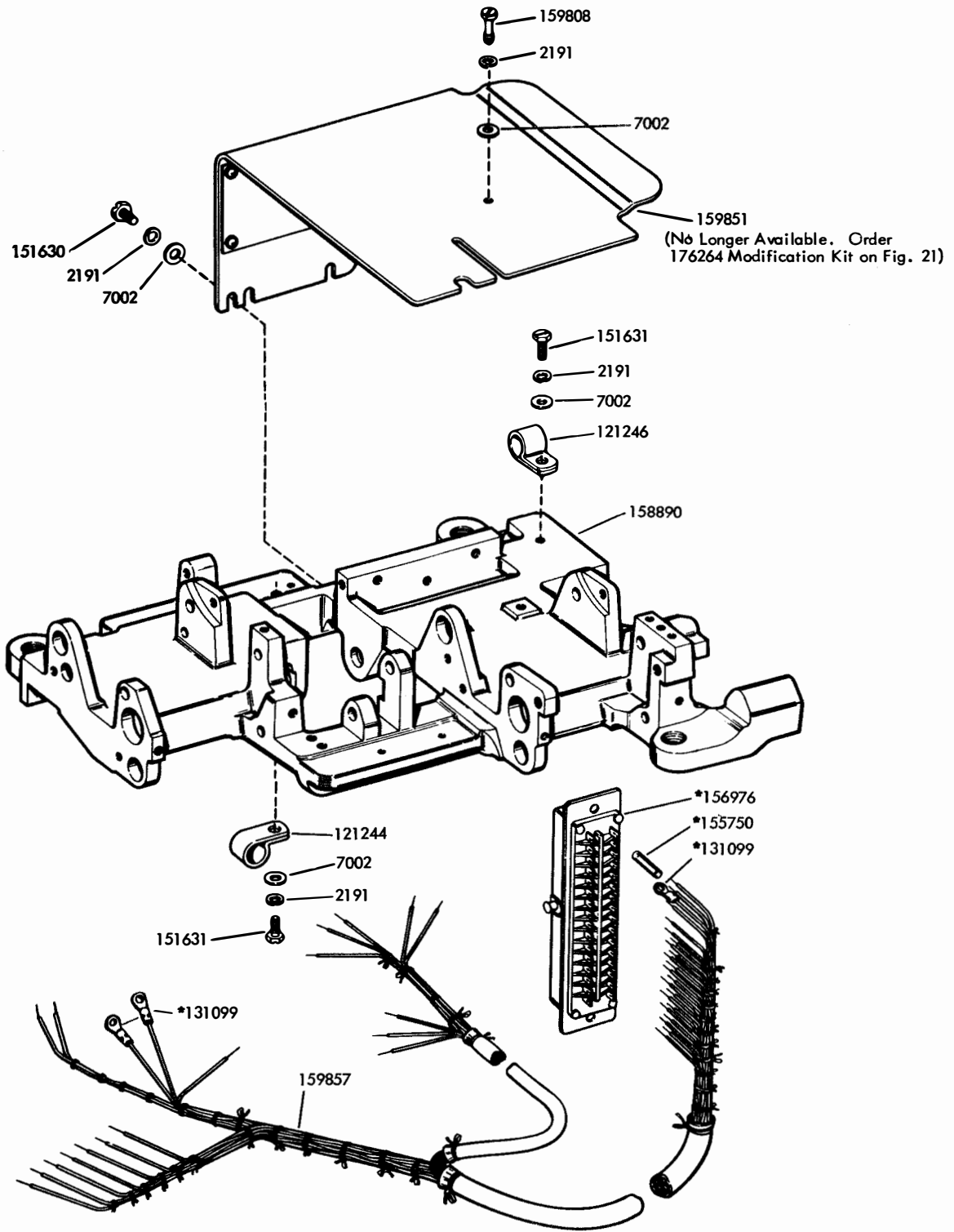


28 TRANSMITTER DISTRIBUTOR

(LCXD - Pivoted and Fixed Heads, Multi-contact)

PARTS

Figure		Page
1	Cover and Main Casting	2
2	Yoke Mechanism and Last Character Contact Pile-Up (Pivoted Head Transmitter)	3
3	Rear Plate and Reservoir Mounting Bar (Pivoted Head Transmitter)	4
4	Bails (Pivoted Head Transmitter)	5
5	Sensing Mechanism (Pivoted Head Transmitter)	6
6	Front Plate (Pivoted Head Transmitter)	7
7	Top Plate and Cover Plate (Fixed Head Transmitter)	8
8	Tape Guide Plate (Fixed Head Transmitter)	9
9	Center Plate (Fixed Head Transmitter)	10
10	Switch Plate (Fixed Head Transmitter)	11
11	Rear Plate and Oil Reservoir (Fixed Head Transmitter)	12
12	Front Plate (Fixed Head Transmitter)	13
13	Bails (Fixed Head Transmitter)	14
14	Sensing Mechanism (Fixed Head Transmitter)	15
15	Sensing Shaft	16
16	Sensing and Distributor Shaft - Sensing Cam Sleeve	17
17	Sensing and Distributor Shaft - Distributor Cam Sleeve	18
18	Sensing and Distributor Clutch Trip Mechanism	19
19	Distributor Contact Block	20
20	Storing Contact Block (Fixed and Pivoted Head Transmitter)	21
21	176264 Modification Kit to Provide a Snap- On Cover	22
22	179228 Modification Kit to Provide Last Character Contact Assembly	23
	Numerical Index	24



*PART OF 159875 CABLE ASSEMBLY (FIXED HEAD TRANSMITTER)

FIGURE 1. COVER AND MAIN CASTING

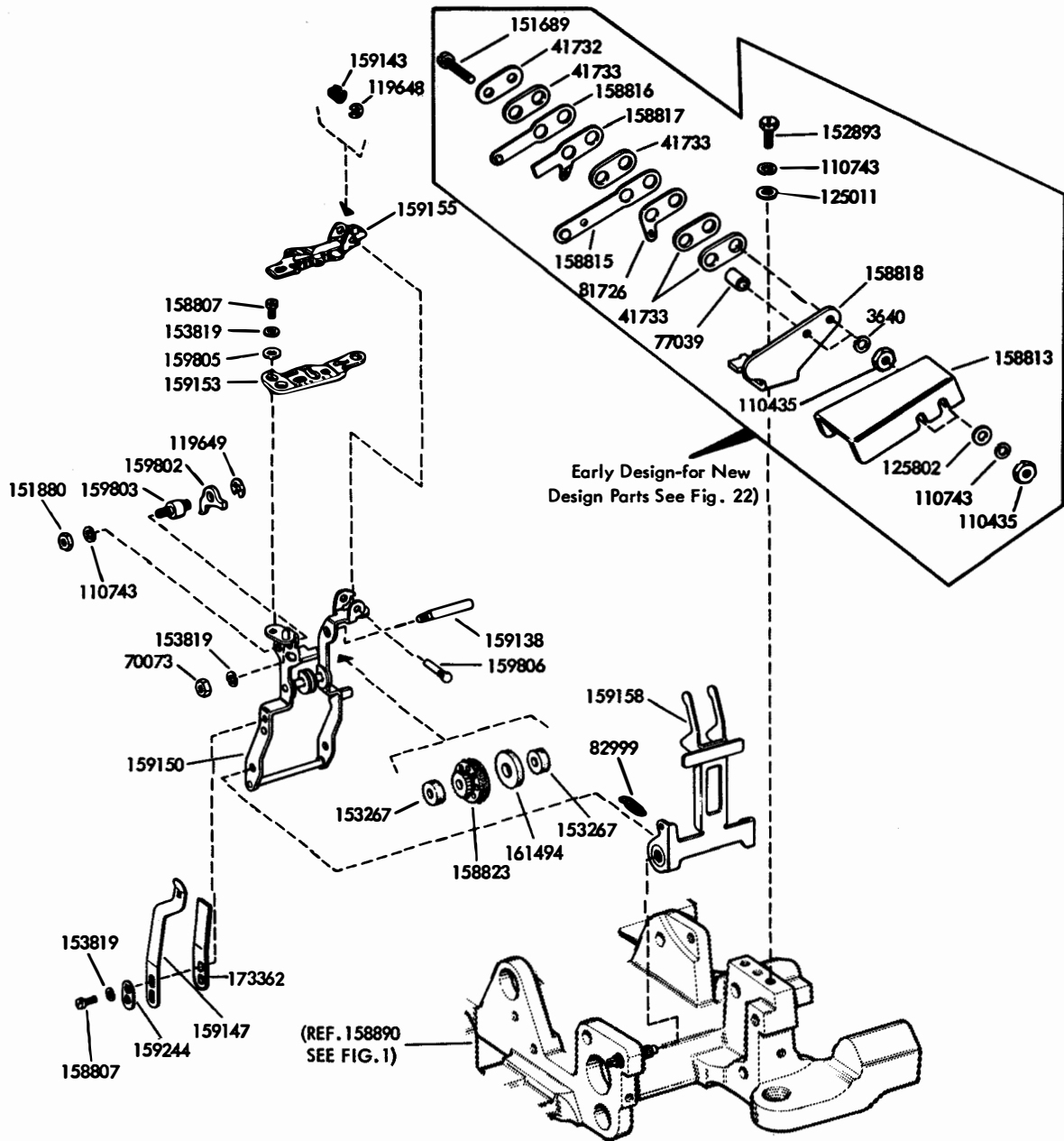


FIGURE 2. YOKE MECHANISM AND LAST CHARACTER CONTACT PILE-UP
(Pivoted Head Transmitter)

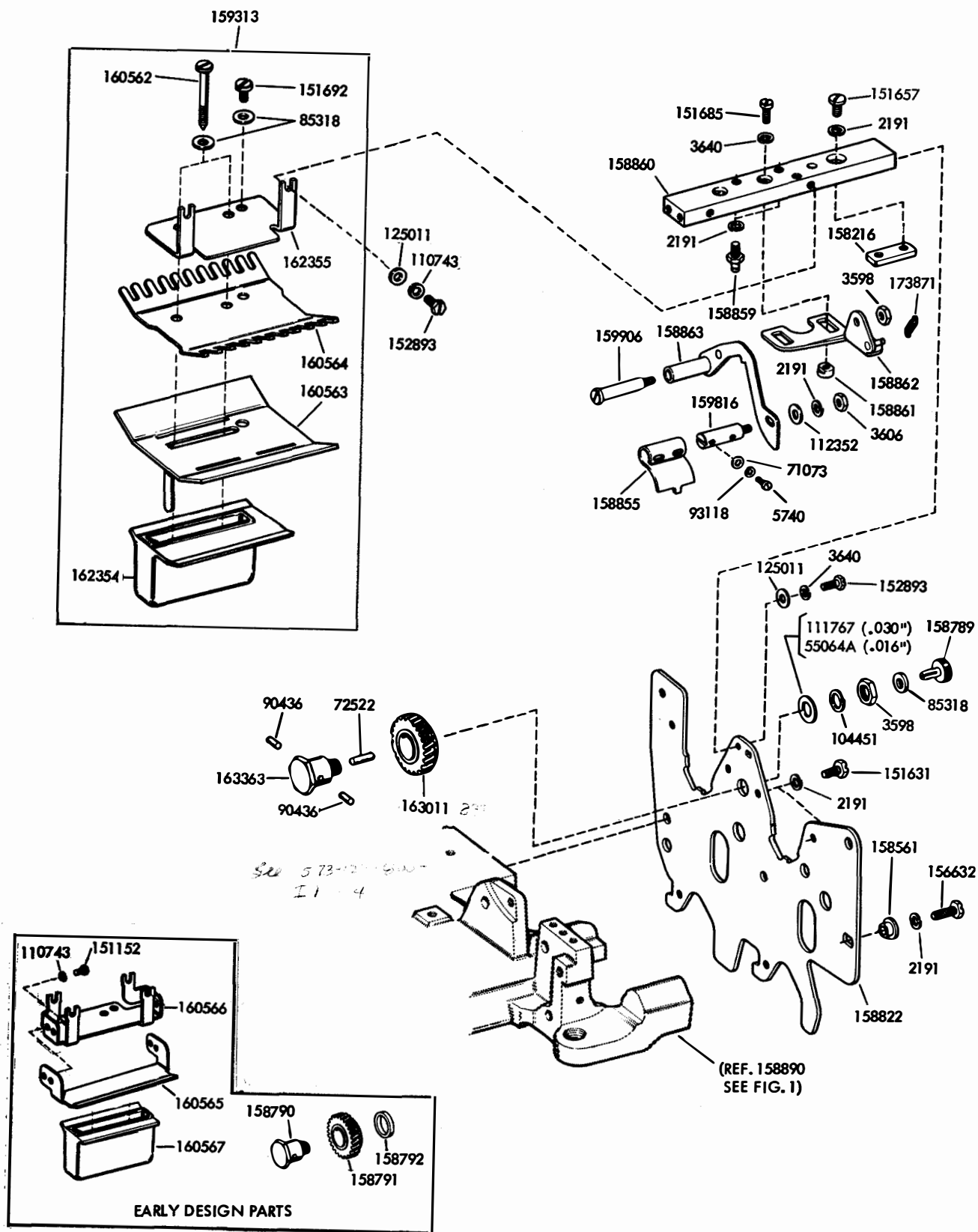


FIGURE 3. REAR PLATE AND RESERVOIR MOUNTING BAR
(Pivoted Head Transmitter)

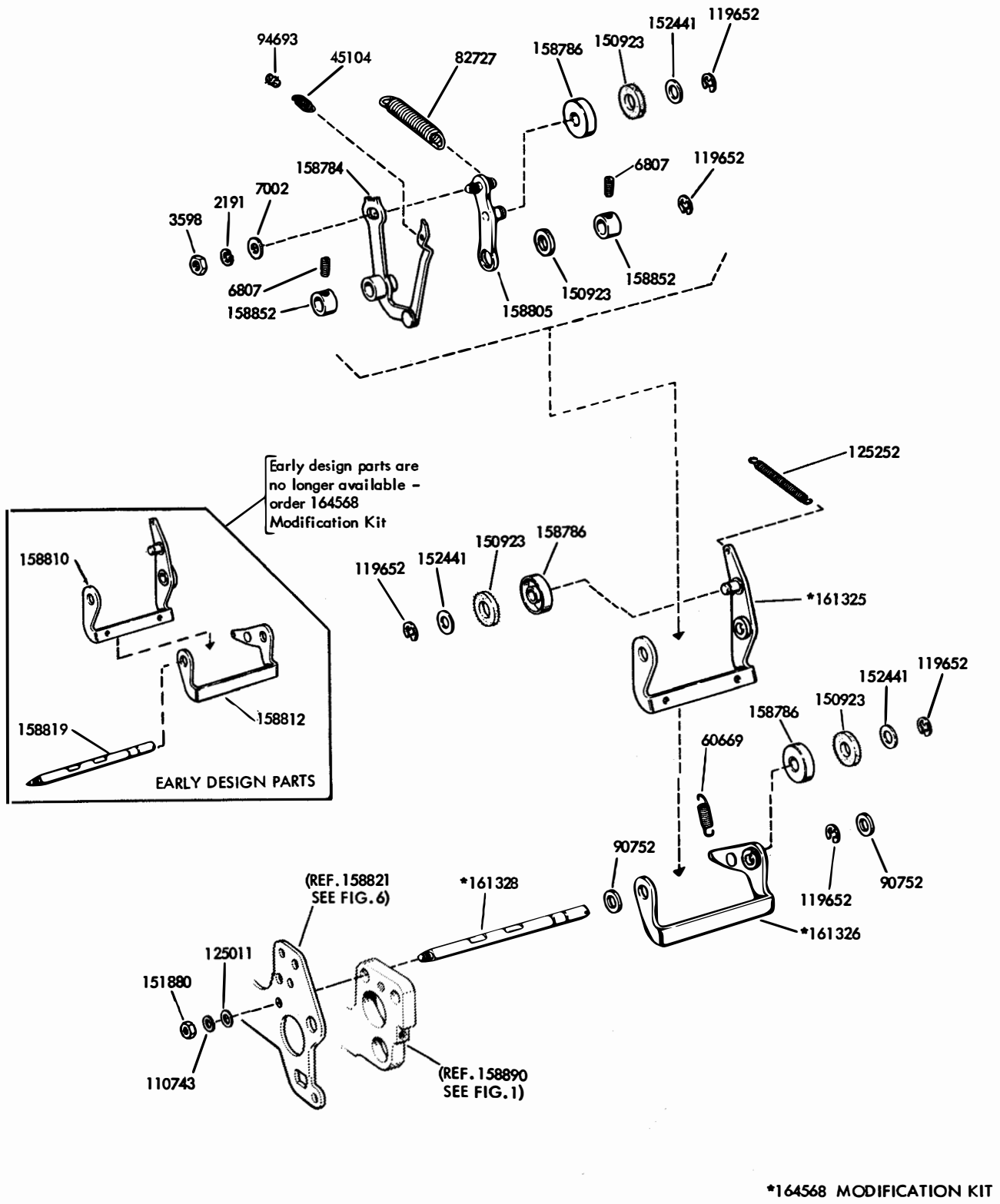
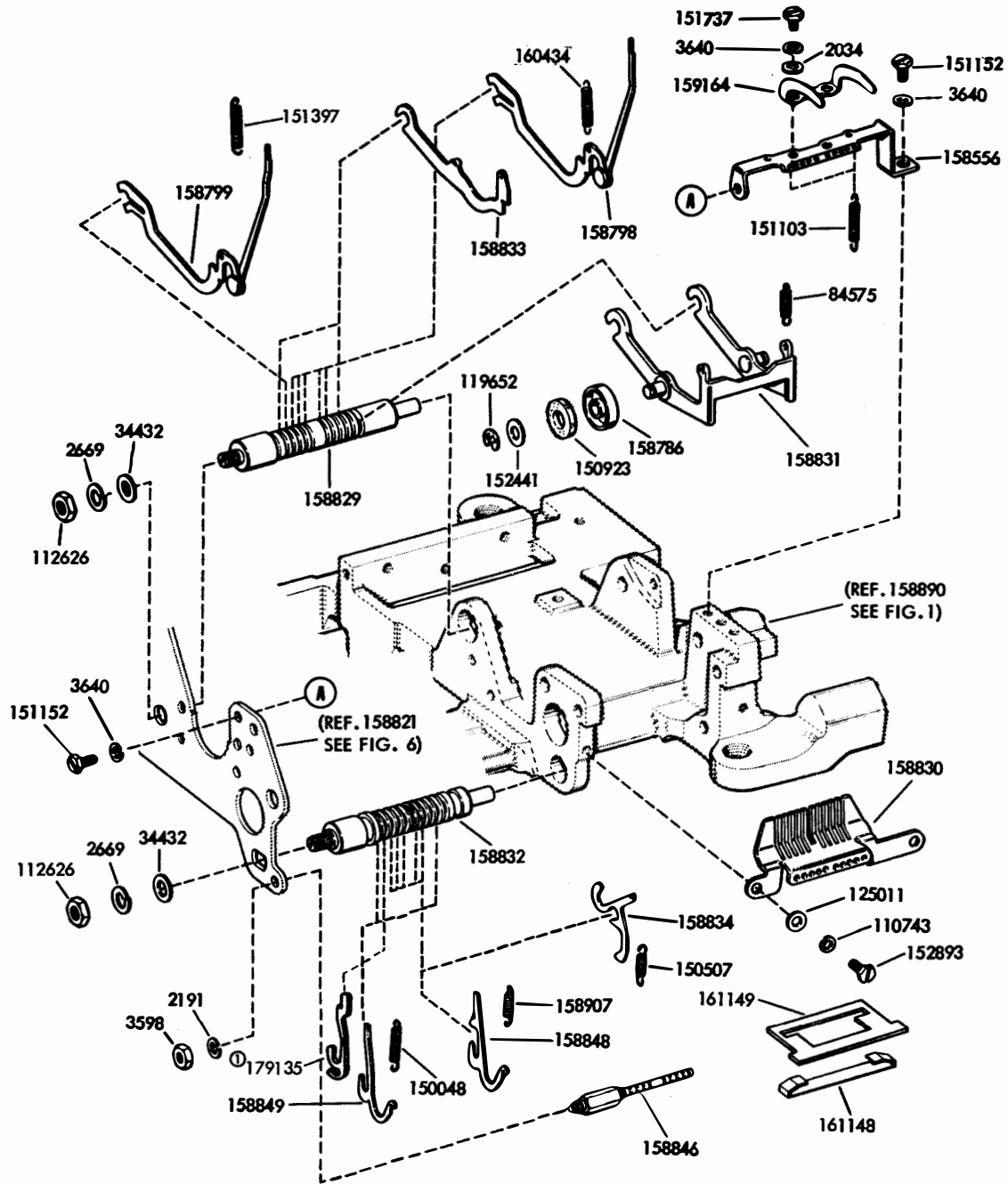


FIGURE 4. BAILS
(Pivoted Head Transmitter)



① The Non-latching Push Lever (179135) Replaces The Latching Type Lever (158849) and Spring (150048) in the Tape Out Pin Position.

FIGURE 5. SENSING MECHANISM
(Pivoted Head Transmitter)

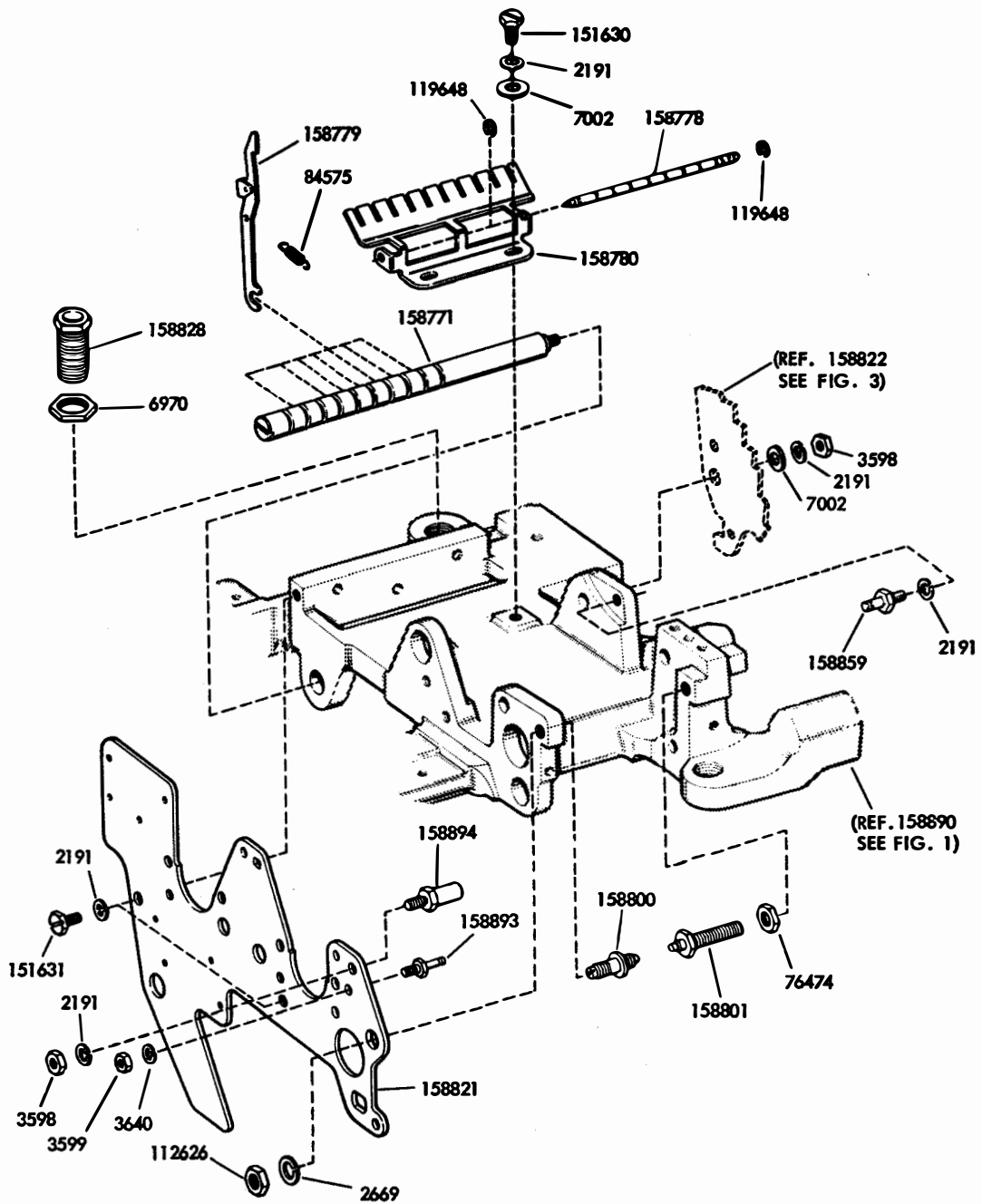
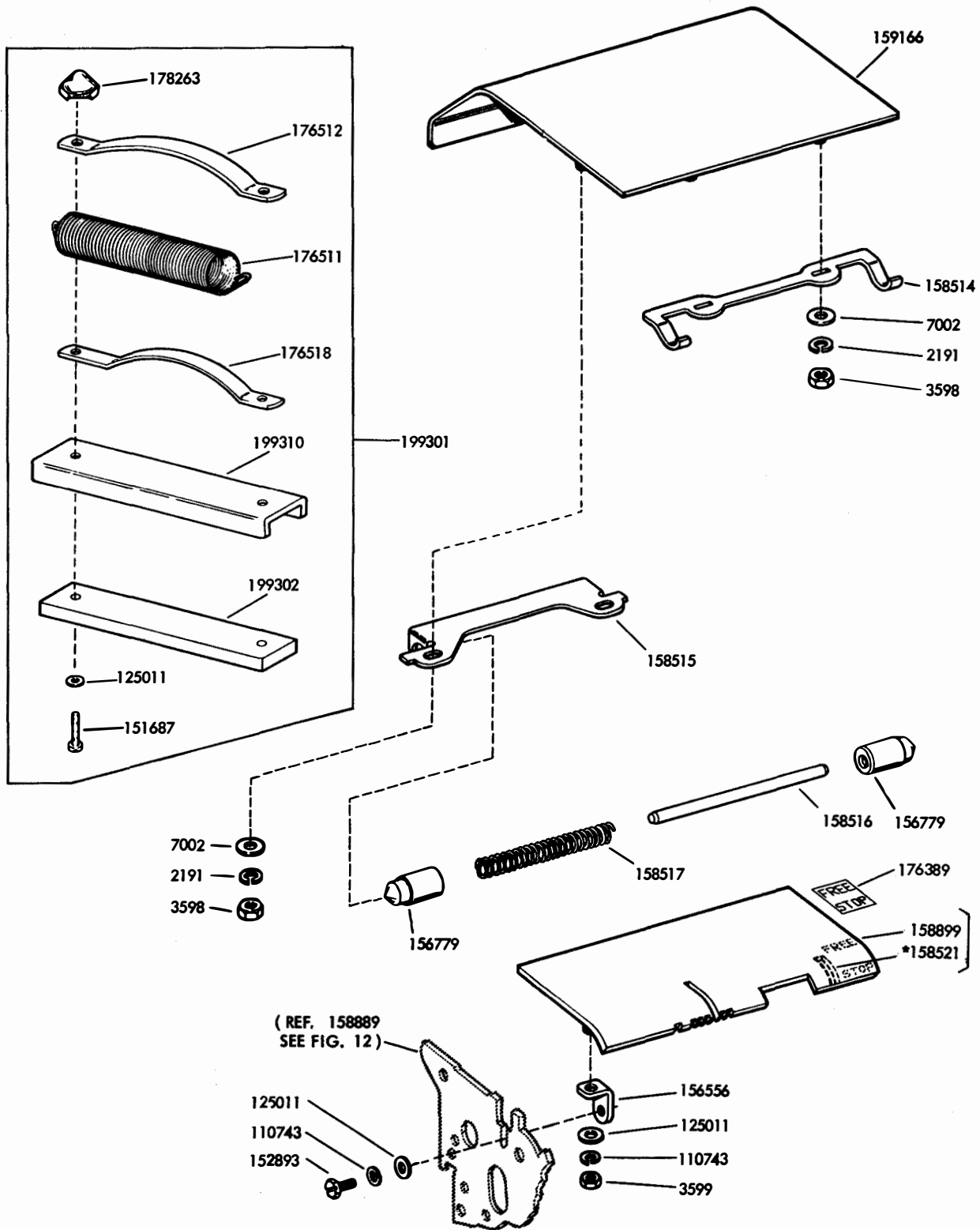
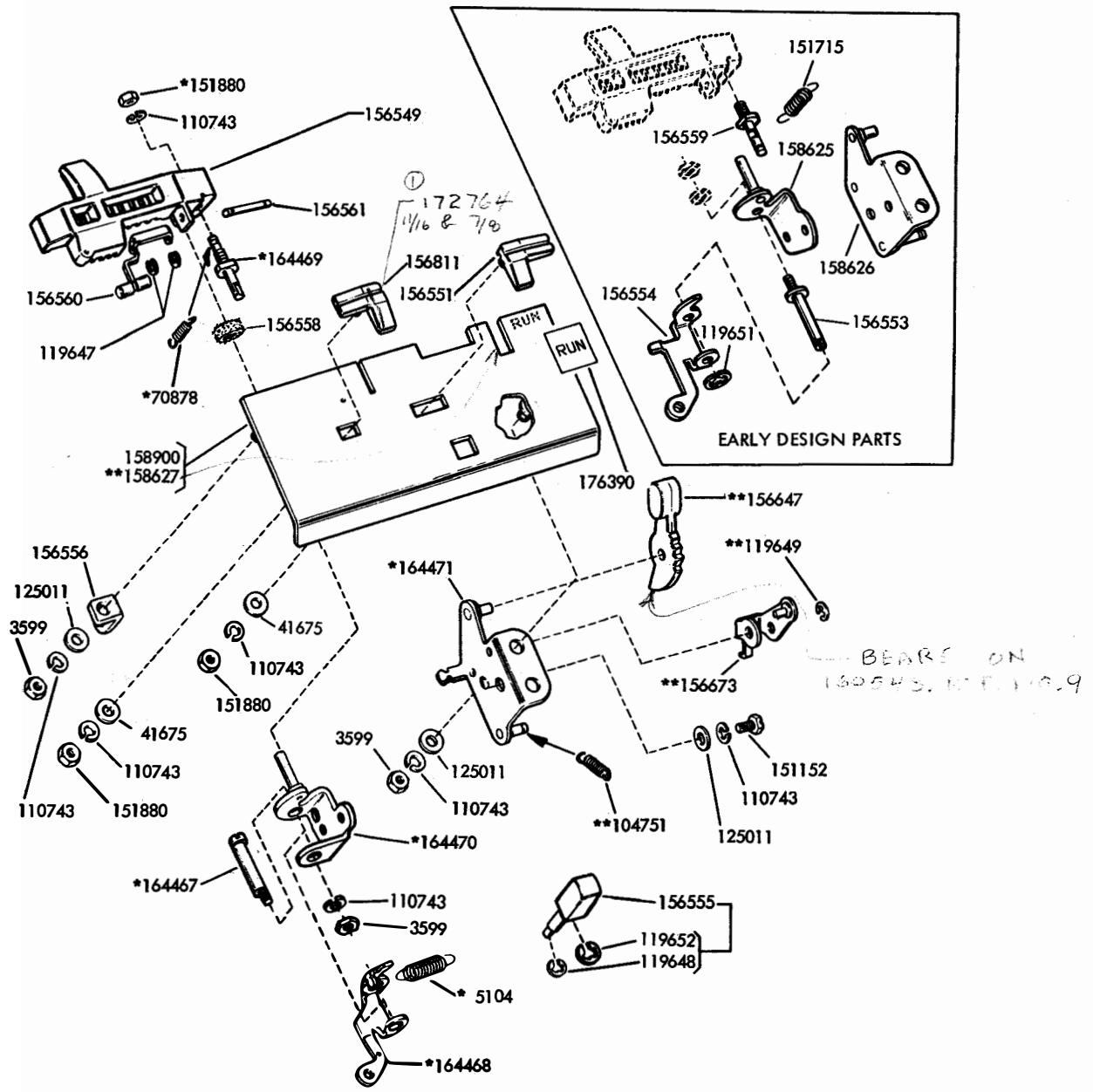


FIGURE 6. FRONT PLATE
(Pivoted Head Transmitter)



*Peculiar to units equipped with Start-Stop lever.

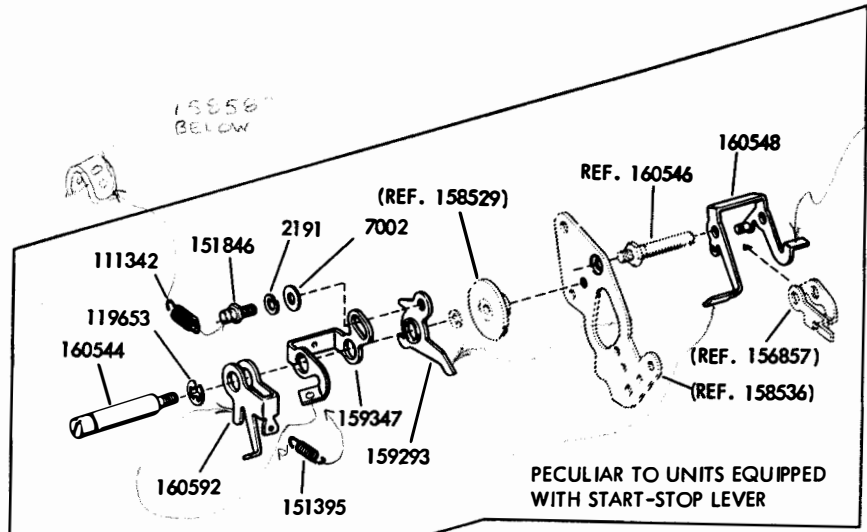
FIGURE 7. TOP PLATE AND COVER PLATE
(Fixed Head Transmitter)



*164472 MODIFICATION KIT
 **PECULIAR TO UNITS EQUIPPED WITH
 START - STOP LEVER

① 160 1638.5 1601.0 50044.5

FIGURE 8. TAPE GUIDE PLATE
 (Fixed Head Transmitter)



LOWER END OF 156607
START-STOP ALARM PLATE
ON UNIT ASSEMBLY. REF. FIG. 9

BEARS ON ALSO
158506 & 158508 -
SUPERSEDED BY 174450.
BELOW

NEED TO CHECK IN
CUT PIN WHEN 156607
START-STOP ALARM IS
IN "OFF" POSITION. REFER TO
FIG. 13.

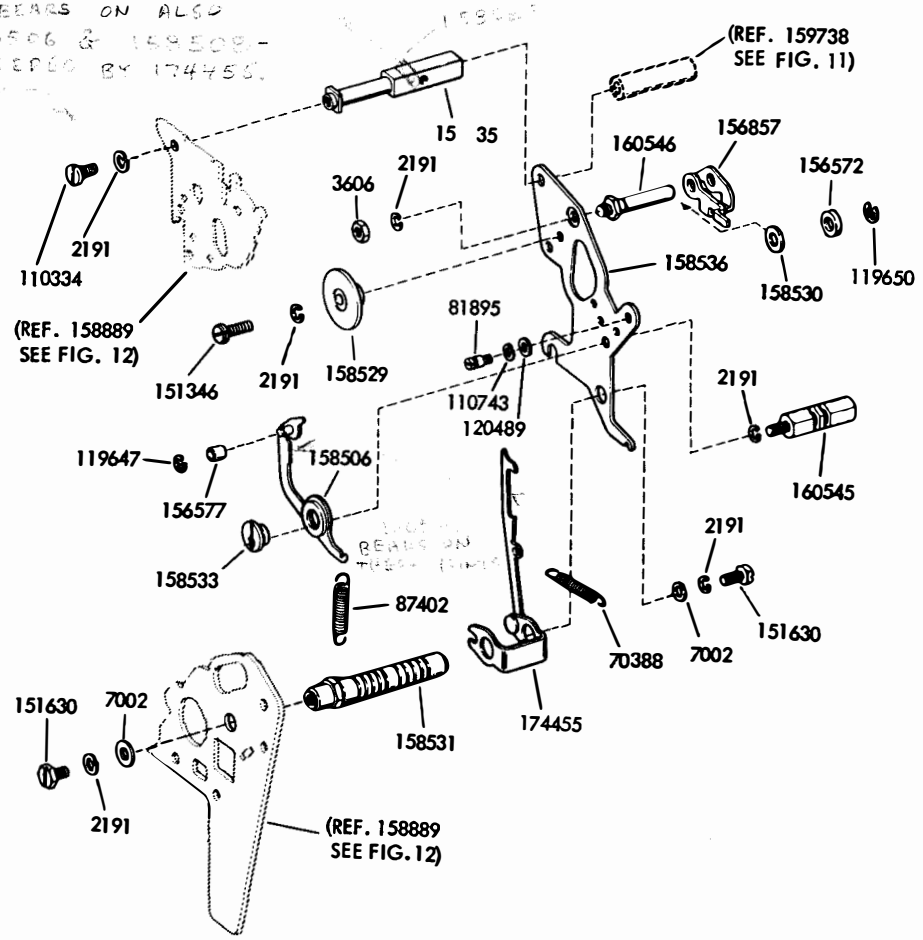


FIGURE 9. CENTER PLATE
(Fixed Head Transmitter)

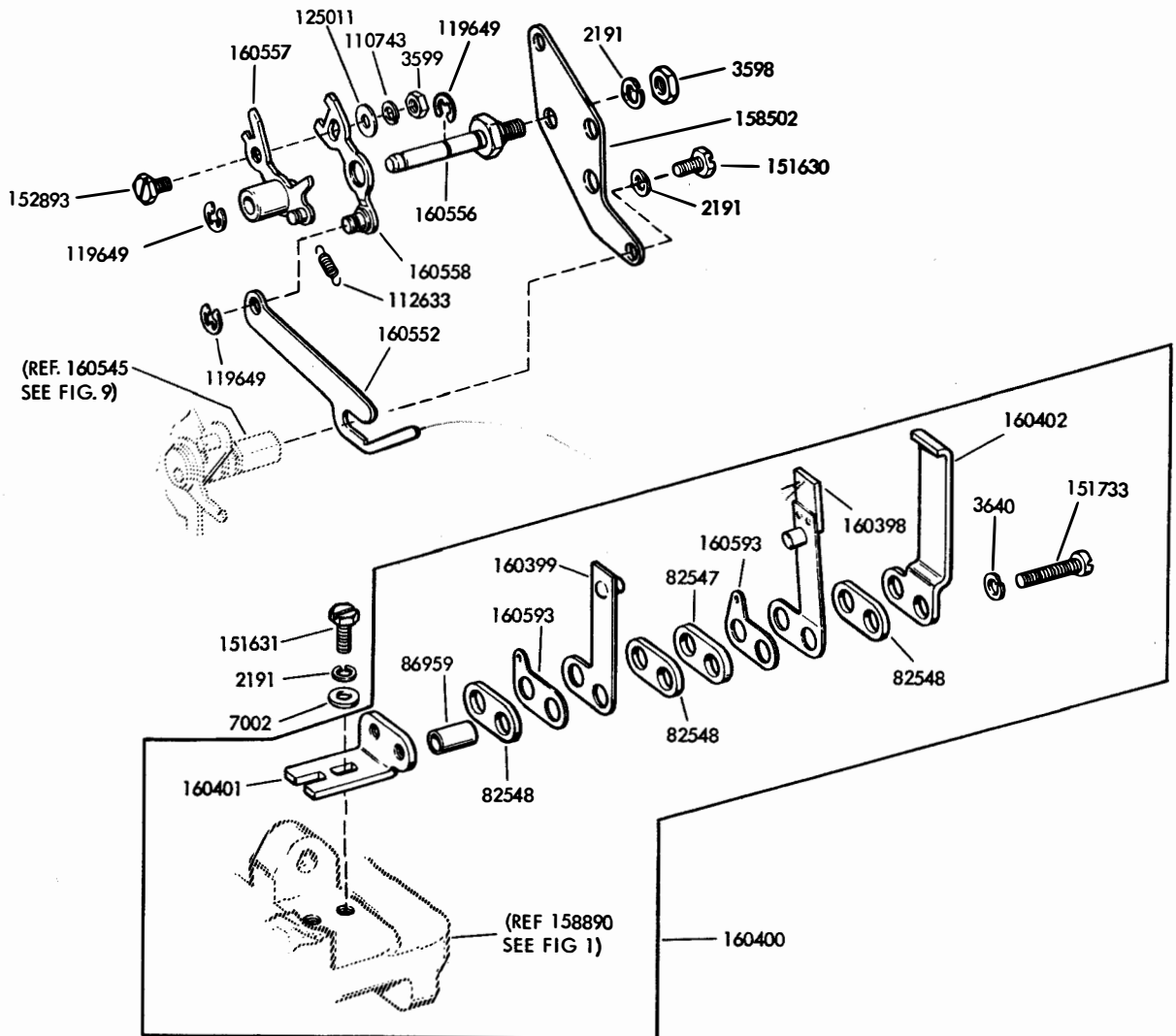
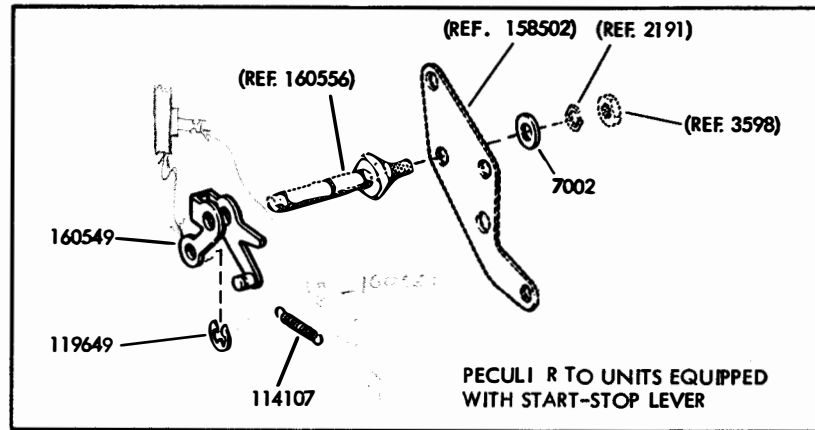


FIGURE 10. SWITCH PLATE
(Fixed Head Transmitter)

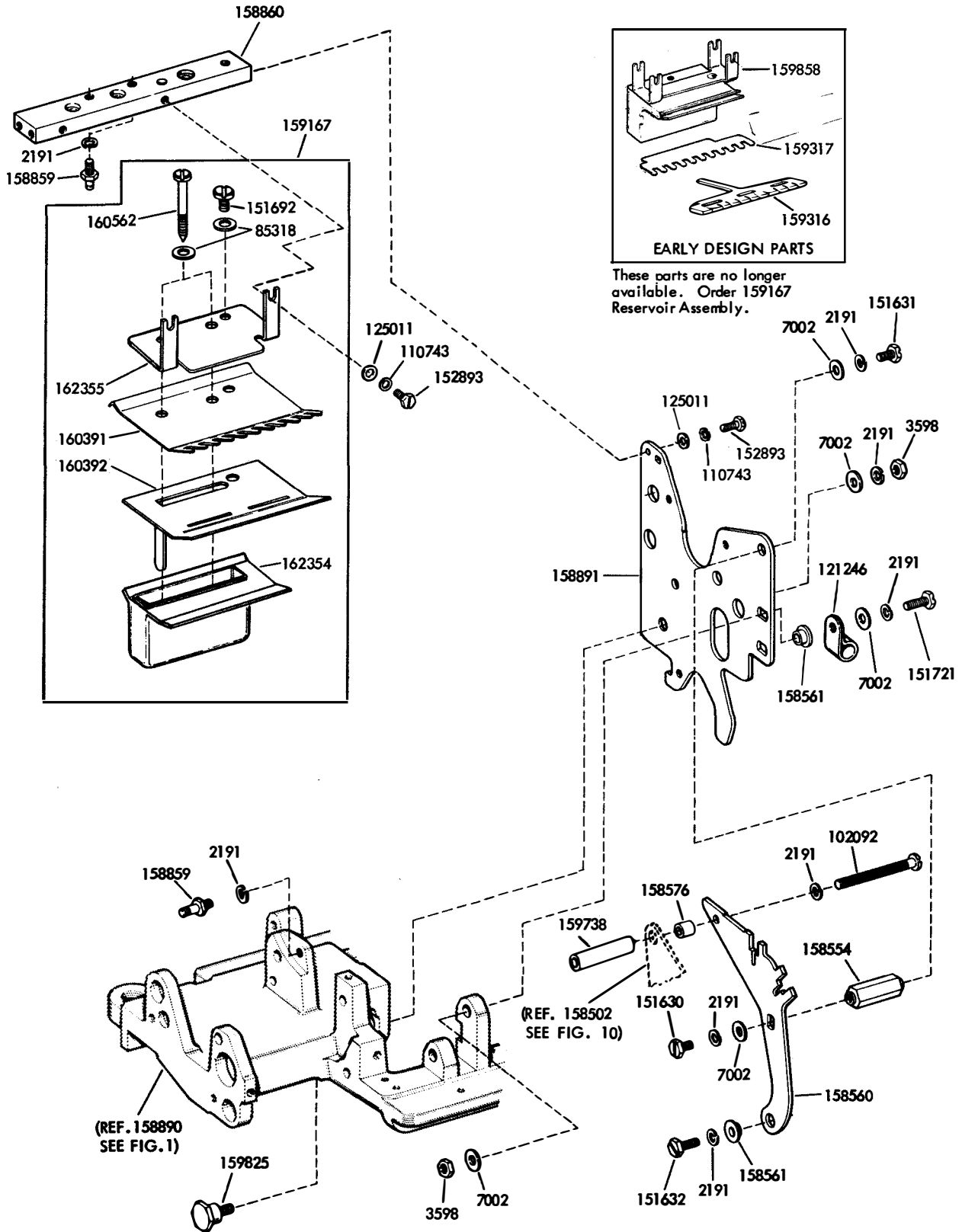
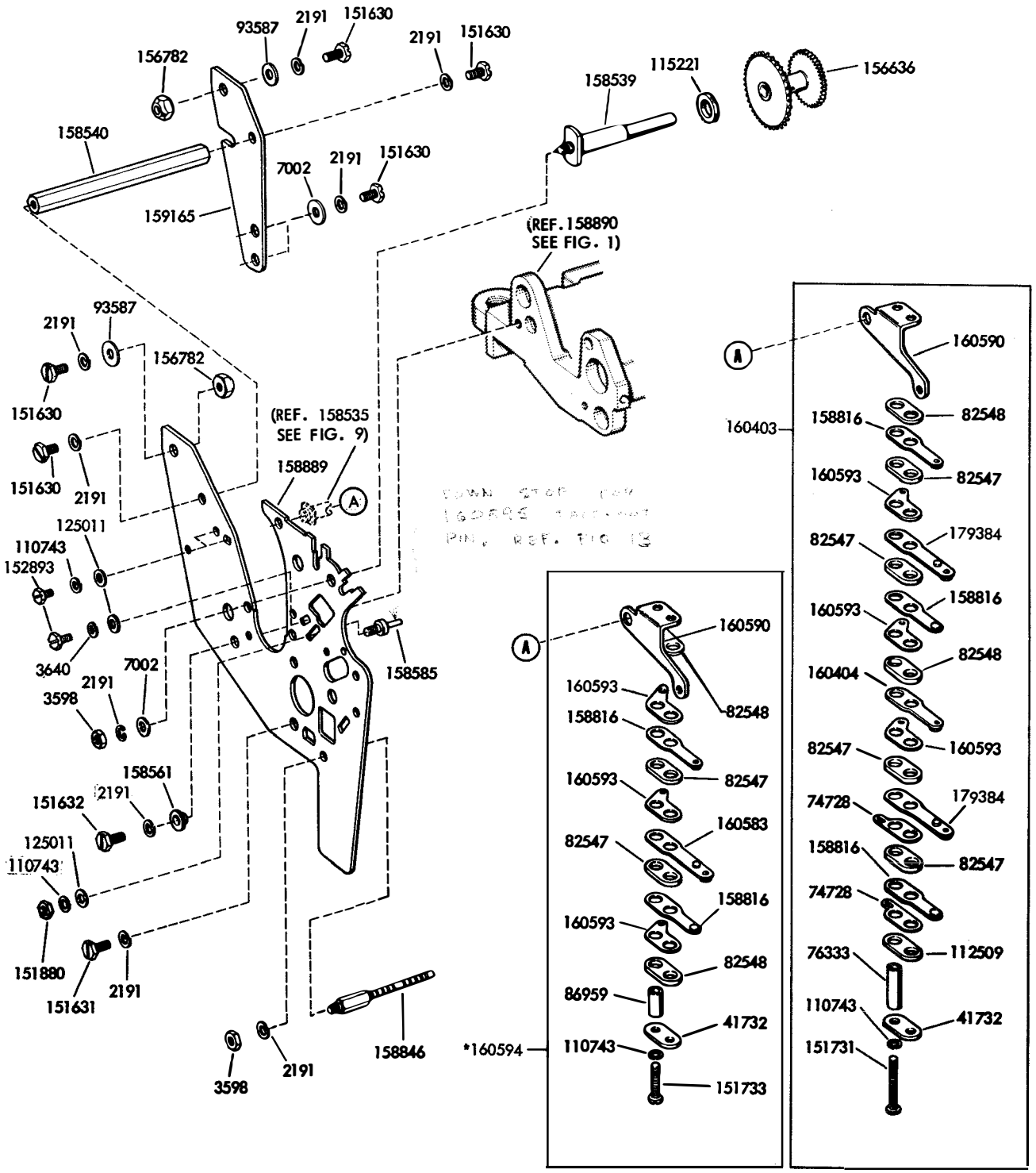


FIGURE 11. REAR PLATE AND OIL RESERVOIR
(Fixed Head Transmitter)



*PECULIAR TO UNITS EQUIPPED WITH START-STOP LEVER

FIGURE 12. FRONT PLATE
(Fixed Head Transmitter)

Early design parts are no longer available. Order 164568 Modification Kit.

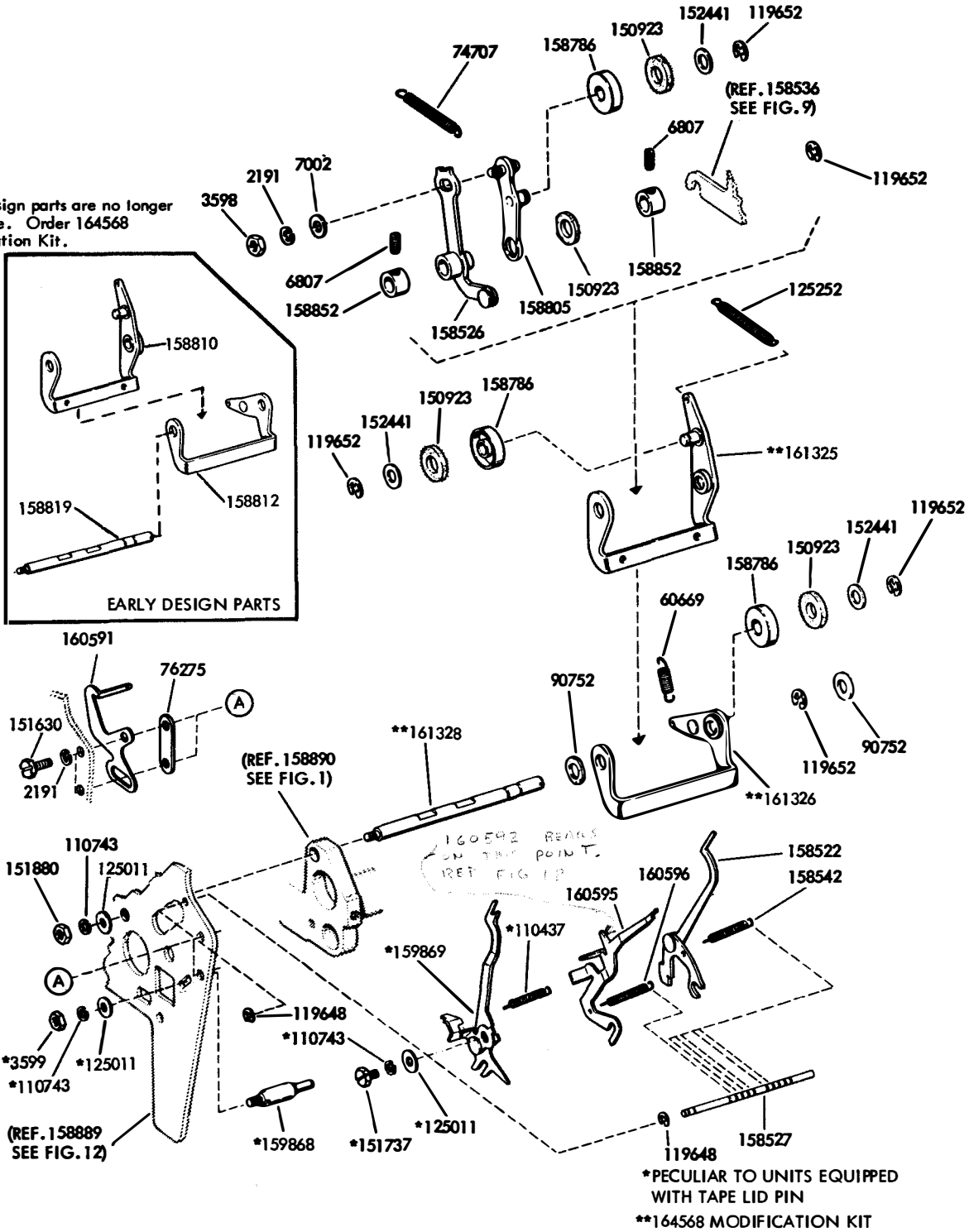


FIGURE 13. BAILS
(Fixed Head Transmitter)

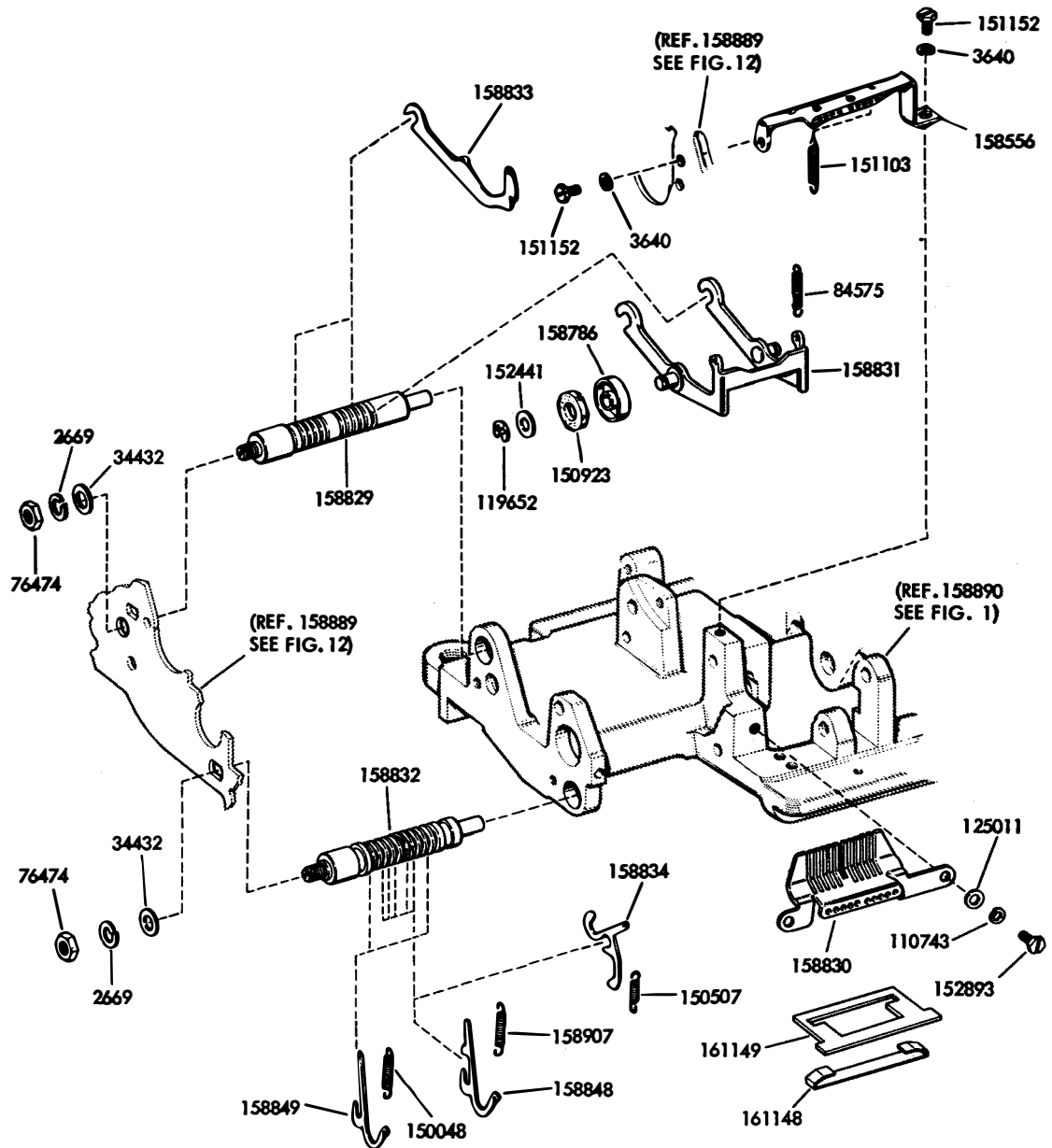


FIGURE 14. SENSING MECHANISM
(Fixed Head Transmitter)

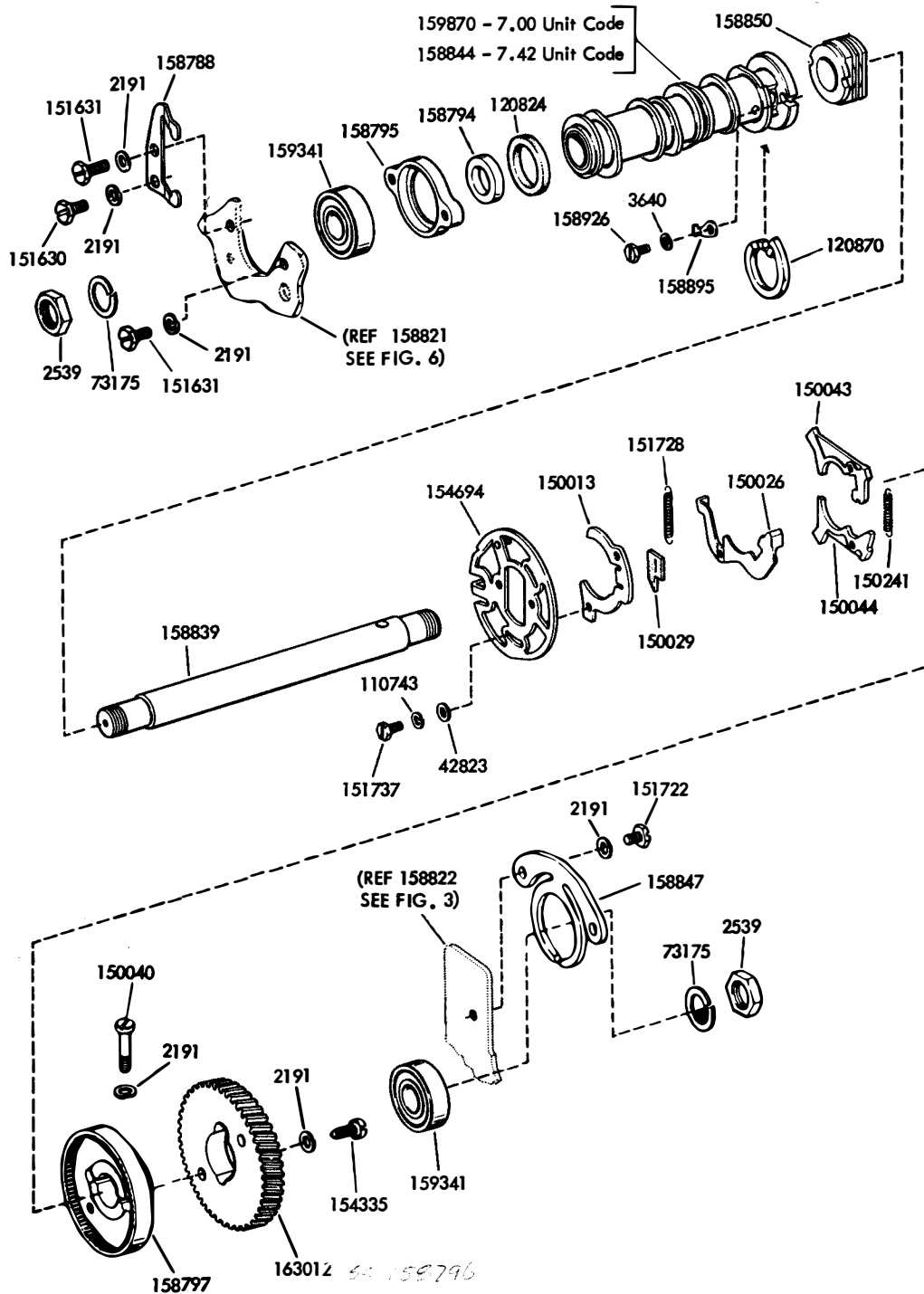


FIGURE 15. SENSING SHAFT

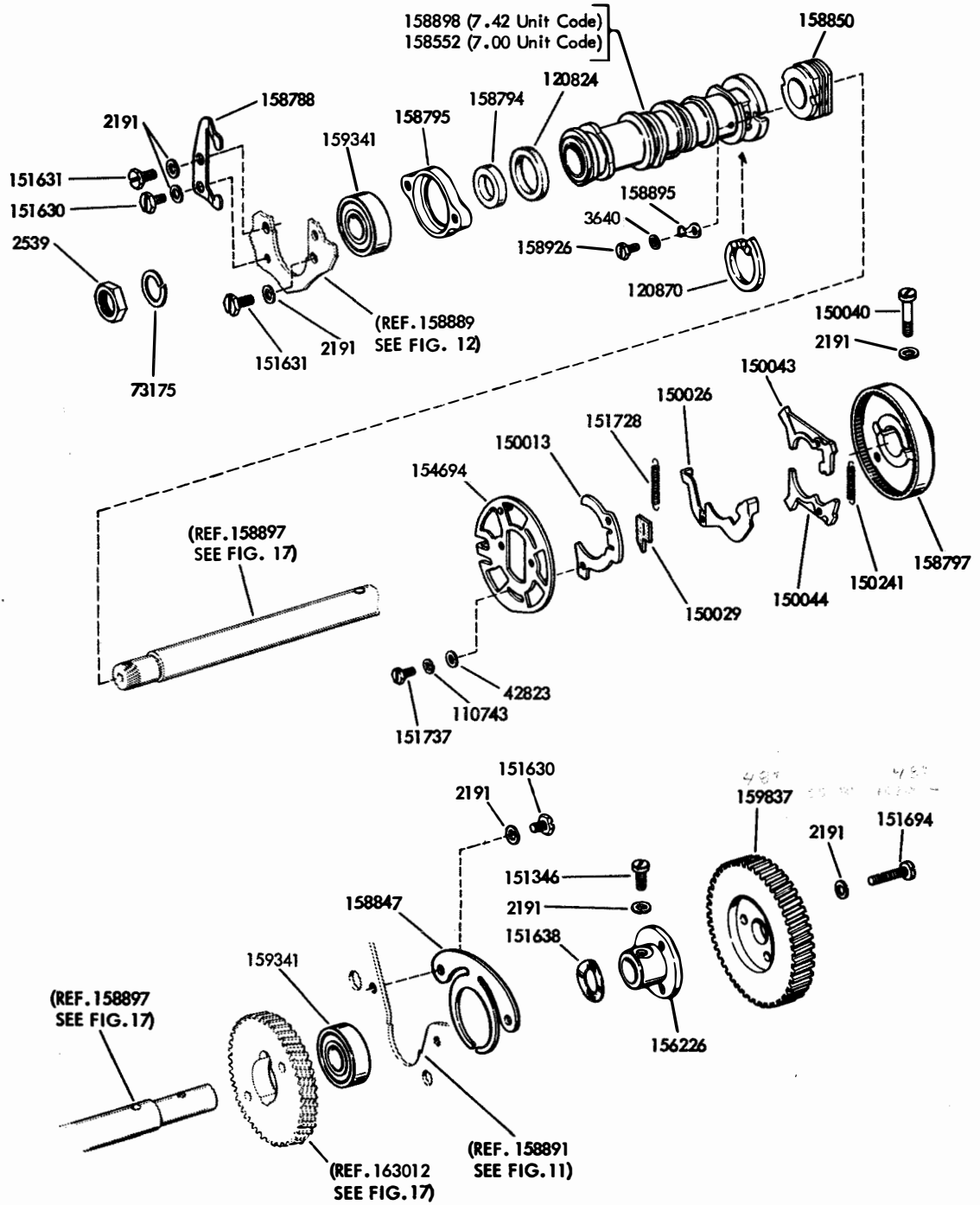


FIGURE 16. SENSING AND DISTRIBUTOR SHAFT-SENSING CAM SLEEVE

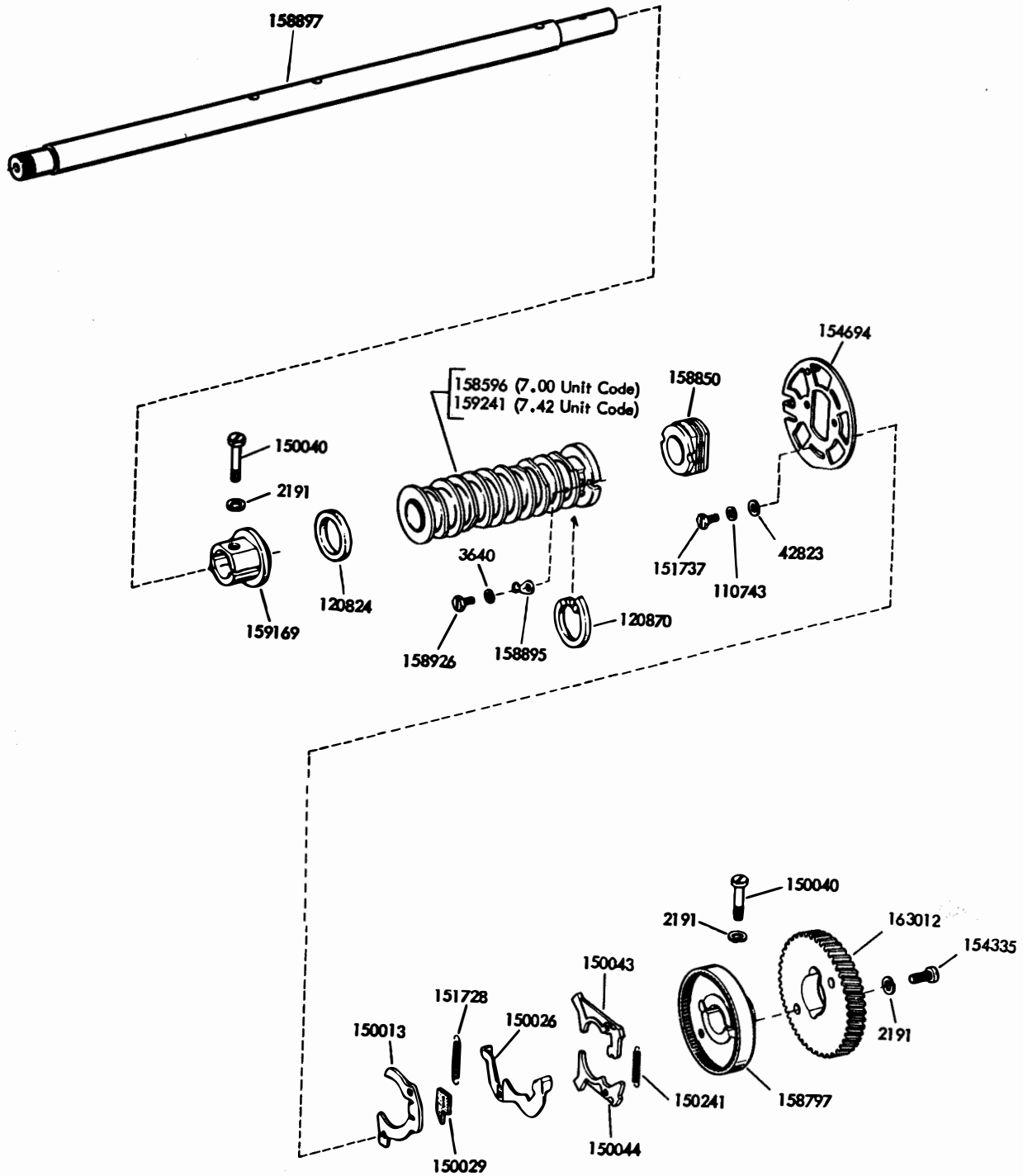
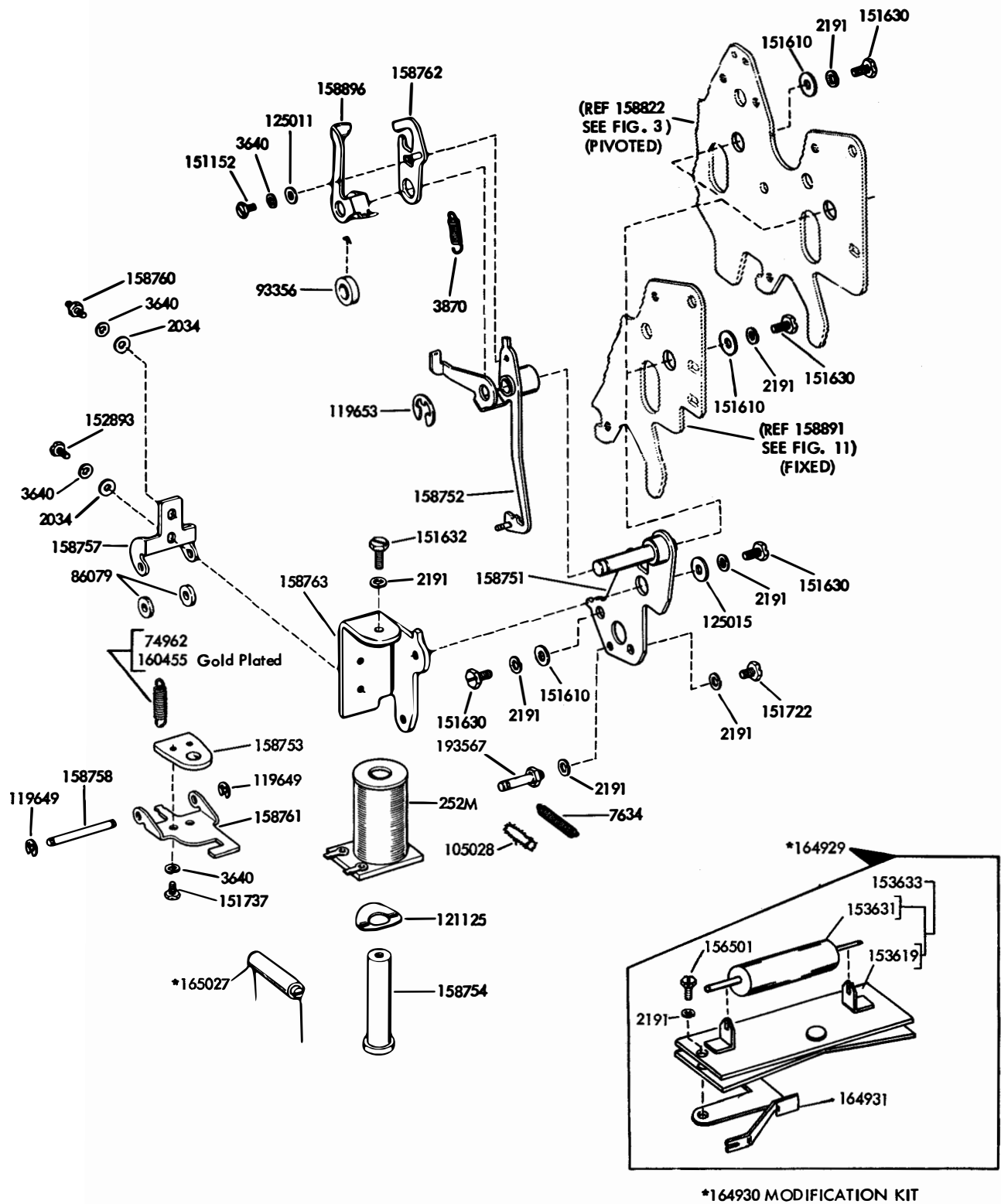


FIGURE 17. SENSING AND DISTRIBUTOR SHAFT-DISTRIBUTOR CAM SLEEVE

NOTE 1
HEAD
HAS NO DIST. CAM



NOTE
 These parts are common to both sensing and distributor clutch trip mechanisms.

FIGURE 18. SENSING AND DISTRIBUTOR CLUTCH TRIP MECHANISM

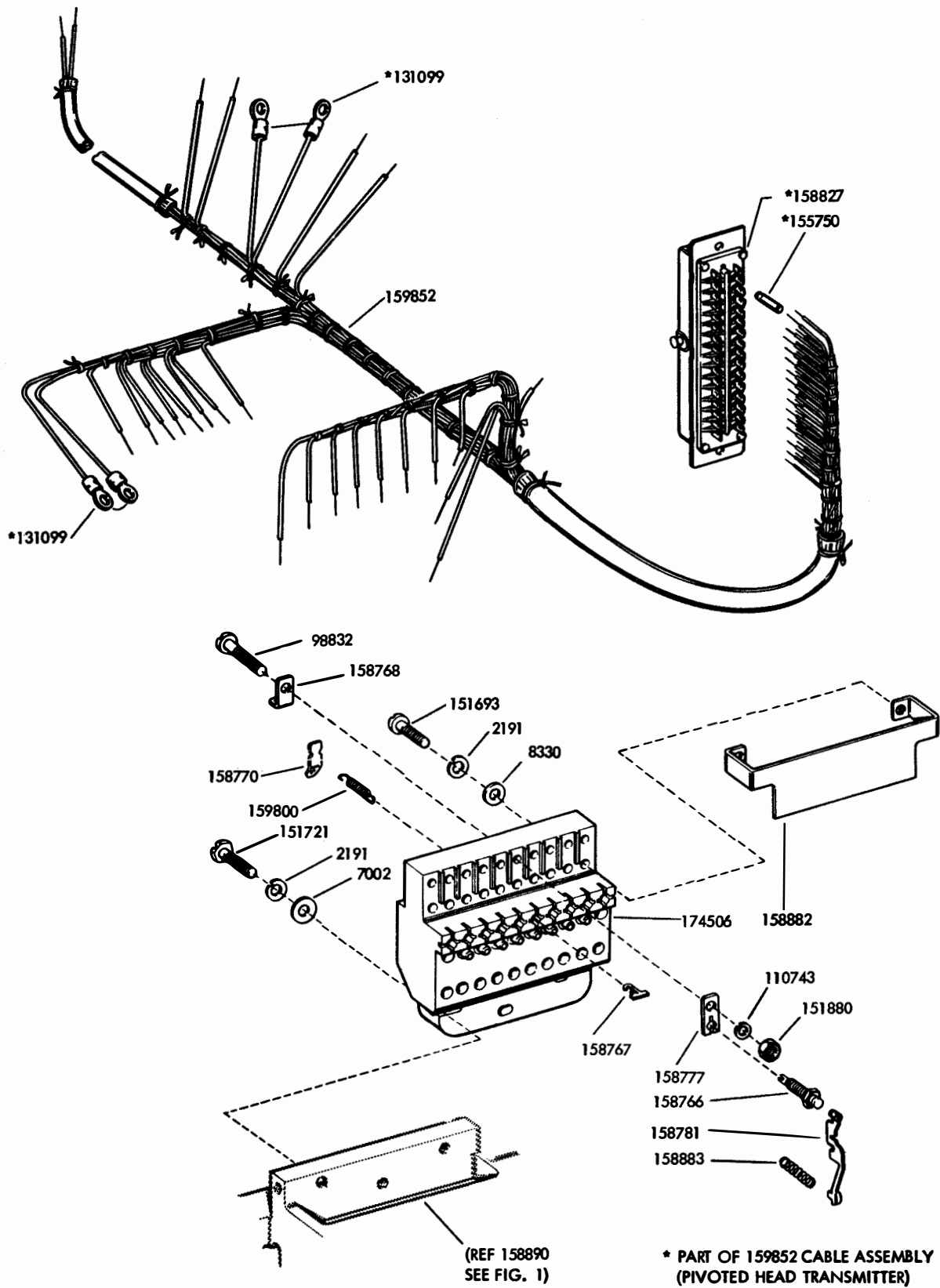


FIGURE 19. DISTRIBUTOR CONTACT BLOCK

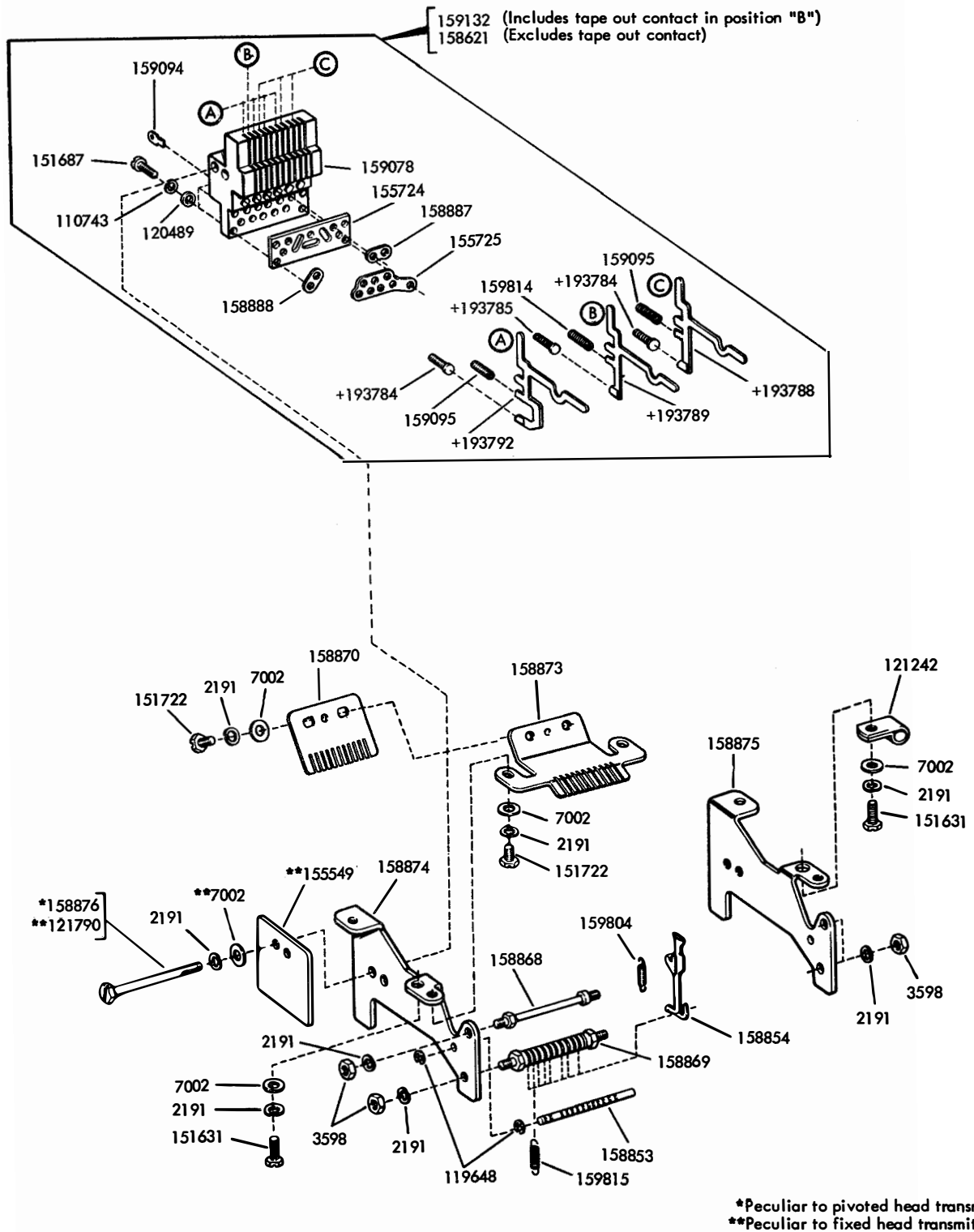
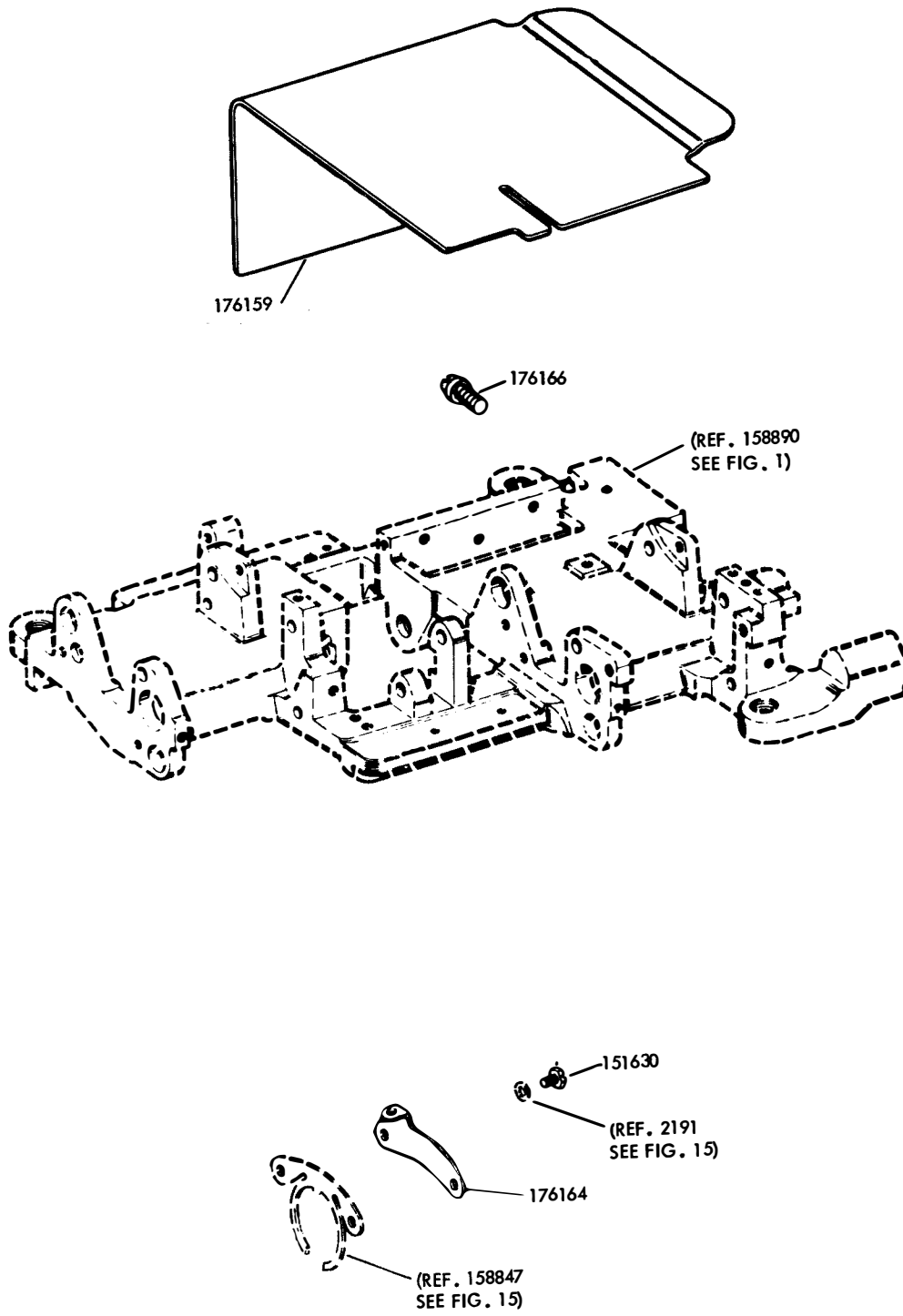


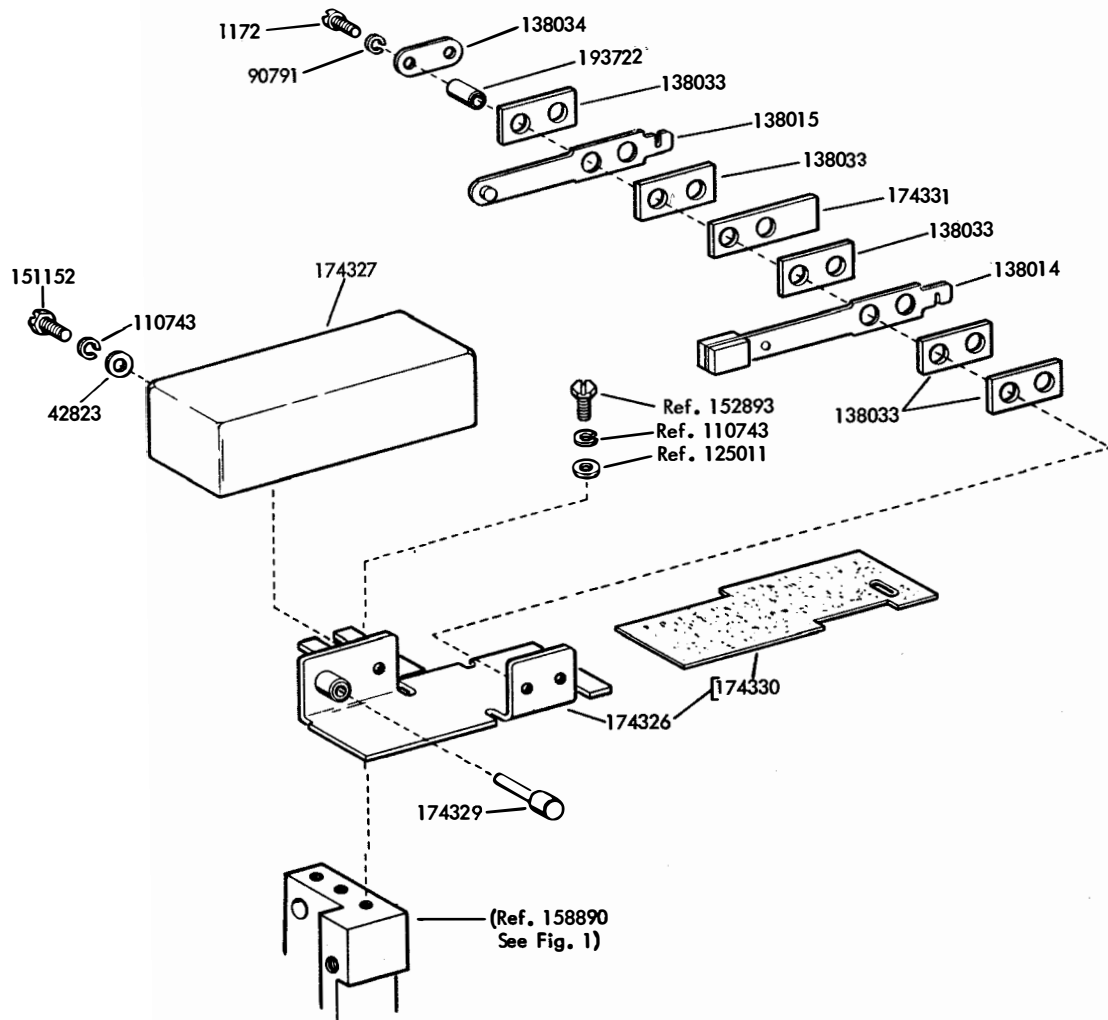
FIGURE 20. STORING CONTACT BLOCK
 (Fixed And Pivoted Head Transmitter)



Specification 500675

FOR EARLY DESIGN PARTS SEE PAGE 2

FIGURE 21. 176264 MODIFICATION KIT TO PROVIDE A SNAP-ON COVER



Specification 500955

FIGURE 22. 179228 MODIFICATION KIT TO PROVIDE LAST CHARACTER CONTACT ASSEMBLY

NUMERICAL INDEX

Part Number	Description and Page Number	Part Number	Description and Page Number	Part Number	Description and Page Number
252M	Coil, Magnet 19	110437	Spring 14	151715	Spring 9
1172	Screw (2-56 x 5/16 Fil) 23	110743	Washer, Lock 3 to 6, 8 to 18, 20, 21, 23	151721	Screw (6-40 x 3/4 Hex) 12, 20
2034	Washer, Flat 6, 19			151722	Screw (6-40 x 3/16 Hex) 16, 19, 21
2191	Washer, Lock 4 to 8, 10 to 14, 16 to 21	111342	Spring 10	151728	Spring 16, 17, 18
2539	Nut (3/8-32 Hex) 16, 17	111767	Washer, Flat 4	151731	Screw (4-40 x 7/8 Fil) 13
2669	Washer, Lock 6, 7, 15	112352	Washer, Flat 4	151733	Screw (4-40 x 9/16 Fil) 11, 13
3598	Nut (6-40 Hex) 4 to 8, 11 to 14, 21	112509	Insulator (.031") 13	151737	Screw (4-40 x 11/64 Hex) 6, 14, 15, 17, 18, 19
3599	Nut (4-40 Hex) 7, 8, 9, 11, 14	112626	Nut (10-32 Hex) 6, 7	151846	Post, Spring 10
3606	Nut (6-40 Hex) 4, 10	112633	Spring w/Wick 11	151880	Nut (4-40 Hex) 3, 5, 9, 13, 14, 20
3640	Washer, Lock 3, 4, 5, 7, 11, 13, 15 to 19	114107	Spring 11		
3870	Spring 19	115221	Washer, Felt 13	152441	Washer, Flat 5, 6, 14, 15
5740	Screw (2-56 x 1/4 Fil) 4	119647	Ring, Retaining 9, 10	152893	Screw (4-40 x 1/4 Hex) 3, 4, 6, 8, 11, 12, 13, 15, 19
6807	Screw, Set (6-40) 5, 14	119648	Ring, Retaining 3, 7, 9, 14, 21		
6970	Nut (3/8-32 Hex) 7	119649	Ring, Retaining 3, 9, 11, 19, 21	153267	Washer, Felt 3
7002	Washer, Flat 2, 5, 7, 8, 10 to 14, 20, 21	119650	Ring, Retaining 10	153619	Board, Terminal 19
7634	Spring 19	119651	Ring, Retaining 9	153631	Network, Spark Suppression 19
8330	Washer, Flat 20	119652	Ring, Retaining 5, 6, 9, 14, 15	153633	Suppression Assembly, Spark 19
34432	Washer, Flat 6, 15	120489	Spacer 10, 21	153819	Washer, Lock 3
41675	Washer, Flat 9	120824	Washer, Felt 16, 17, 18	154335	Screw (6-40 x 9/32 Fil) 16, 18
41732	Plate, Clamp 3, 13	120870	Wick, Felt 16, 17, 18	154694	Disk, Clutch Cam 16, 17, 18
41733	Insulator (.062") 3	121125	Washer, Spring 19	155549	Shield 21
42823	Washer, Flat 16, 17, 18, 23	121242	Clamp, Cable (1/8" ID) 21	155724	Strip, Insulating 21
45104	Spring 5, 9	121244	Clamp, Cable (1/4" ID) 2	155725	Plate 21
55064A	Washer, Flat 4	121246	Clamp, Cable (3/8" ID) 2, 12	155750	Sleeve, Insulating (3/32 ID x 1/2" Lg) 2 to 20
60669	Spring 5, 14	121790	Screw (6-40 x 1-7/8 Hex) 21		
70073	Nut (3-48 Hex) 3	125011	Washer, Flat 3 to 6, 8, 9, 11 to 15, 19	156226	Hub 17
70388	Spring 10	125015	Washer, Flat 19	156501	Screw (6-40 x 7/32 Fil) 19
70878	Spring 9	125252	Spring 5, 14	156549	Lid, Tape 9
71073	Washer, Flat 4	125802	Washer, Flat 3	156551	Guide, Right 9
72522	Wick, Felt 4	131099	Terminal 2, 20	156553	Post, Eccentric 9
73175	Washer, Lock 16, 17	138014	Spring, Contact 23	156554	Bail 9
74707	Spring 14	138015	Spring, Contact 23	156555	Plunger, Tape Lid 9
74728	Terminal, Contact 13	138033	Insulator (.031") 23	156556	Bracket 8, 9
74962	Spring 19	138034	Plate, Clamp 23	156558	Washer, Felt 9
76275	Plate, Nut 14	150013	Disk, Adjusting 16, 17, 18	156559	Post 9
76333	Bushing, Insulating 13	150026	Lever, Shoe Release 16, 17, 18	156560	Bail 9
76474	Nut (10-32 Hex) 7, 15	150029	Wick, Felt 16, 17, 18	156561	Shaft 9
77039	Bushing, Insulating 3	150040	Screw (6-40 x 5/8 Fil) 16, 17, 18	156572	Washer, Felt 10
81726	Terminal 3	150043	Shoe, Secondary Clutch 16, 17, 18	156577	Roller, Detent Lever 10
81895	Post, Spring 10	150044	Shoe, Primary Clutch 16, 17, 18	156632	Screw (6-40 x 13/32 Hex) 4
82547	Insulator (.094") 11, 13	150048	Spring 6, 15	156636	Wheel, Feed 13
82548	Insulator (.062") 11, 13	150241	Spring 16, 17, 18	156647	Lever, Start-Stop 9
82727	Spring 5	150507	Spring 6, 15	156673	Bail w/Stud 9
82999	Spring 3	150923	Washer, Felt 5, 6, 14, 15	156779	Plunger 8
84575	Spring 6, 7, 15	151103	Spring 6, 15	156782	Nut (6-40 Spl) 13
85318	Washer, Leather 4, 12	151152	Screw (4-40 x 3/16 Hex) 4, 6, 9, 15, 19, 23	156811	Guide, Left 9
86079	Washer, Felt 19			156857	Bail, Intermediate 10
86959	Bushing, Insulating 11, 13	151346	Screw (6-40 x 3/8 Fil) 10, 17	156976	Connector, Plug (32 Pt) 2
87402	Spring 10	151395	Spring 10	158216	Plate, Nut 4
90436	Wick, Felt 4	151397	Spring 6	158502	Plate, Control 11
90752	Washer, Felt 5, 14	151610	Washer, Flat 19	158506	Lever, Detent 10
90791	Washer, Lock 23	151630	Screw (6-40 x 1/4 Hex) 2, 7, 10 to 14, 16, 17, 19, 22	158514	Plate, Spring 8
93118	Washer, Lock 4			158515	Bracket 8
93356	Washer, Felt 19	151631	Screw (6-40 x 5/16 Hex) 2, 4, 7, 11, 12, 13, 16, 17, 21	158516	Rod 8
93587	Washer, Flat 13			158517	Spring, Compression 8
94693	Wick, Felt 5	151632	Screw (6-40 x 3/8 Hex) 12, 13, 19	158521	Plate, Top 8
98832	Screw (4-40 x 11/16 Fil) 20	151638	Washer, Spring 17	158522	Pin, Sensing 14
102092	Screw (6-40 x 1-17/32 Rd) 12	151657	Screw (6-40 x 1/4 Fil) 4	158526	Lever, Feed 14
104451	Washer, Lock 4	151685	Screw (4-40 x 5/16 Fil) 4	158527	Rod, Spring 14
104751	Spring 9	151687	Screw (4-40 x 7/16 Fil) 8, 21	158529	Bushing, Guide 10
105028	Wick, Felt 19	151689	Screw (4-40 x 3/4 Fil) 3	158530	Spacer 10
110334	Screw, Shoulder (4-40) 10	151692	Screw (6-40 x 3/16 Fil) 4, 12	158531	Shaft 10
110435	Nut (4-40 Hex) 3	151693	Screw (6-40 x 9/16 Fil) 20	158533	Bushing, Eccentric 10
		151694	Screw (6-40 x 11/32 Fil) 17	158535	Post 10
				158536	Plate, Center 10

NUMERICAL INDEX (Continued)

Part Number	Description and Page Number	Part Number	Description and Page Number	Part Number	Description and Page Number
158539	Post 13	158831	Bail, Sensing 6, 15	159341	Bearing, Ball 16, 17
158540	Post 13	158832	Shaft, Eccentric 6, 15	159347	Bail 10
158542	Spring 14	158833	Lever, Auxiliary (A) 6, 15	159738	Spacer 12
158552	Camsleeve 17	158834	Lever, Latch 6, 15	159800	Spring 20
158554	Post, Pilot 12	158839	Shaft, Sensing (1 Stop) 16	159802	Pawl, Detent 3
158556	Bracket, Spring 6, 15	158844	Camsleeve 16	159803	Stud, Eccentric 3
158560	Plate, Intermediate 12	158846	Post, Spring 6, 13	159804	Spring 21
158561	Bushing 4, 12, 13	158847	Clamp, Bearing 16, 17	159805	Washer, Flat 3
158576	Spacer 12	158848	Lever, Push 6, 15	159806	Shaft 3
158585	Post 13	158849	Lever, Push 6, 15	159808	Screw, Captive (6-40) 2
158596	Camsleeve (1 Cycle) 18	158850	Bearing, Sleeve 16, 17, 18	159814	Spring 21
158621	Block Assembly, Storing 21	158852	Collar, Set 5, 14	159815	Spring 21
158625	Bracket w/Stud 9	158853	Post, Spring 21	159816	Stud 4
158626	Bracket w/Studs 9	158854	Slide 21	159825	Stud, Mounting 12
158627	Plate 9	158855	Extension 4	159837	Gear (48 T) 17
158751	Plate, Clutch Trip 19	158859	Post, Spring 4, 7, 12	159851	Cover 2
158752	Lever, Trip 19	158860	Bar 4, 12	159852	Cable Assembly 20
158753	Armature, Magnet 19	158861	Nut (4-40 Spl) 4	159857	Cable Assembly 2
158754	Core, Magnet 19	158862	Bracket, Depressor 4	159858	Reservoir, Oil 12
158757	Hinge, Mounting 19	158863	Depressor, Tape 4	159868	Post 14
158758	Shaft 19	158868	Post, Stop 21	159869	Pin, Tape Lid 14
158760	Post, Spring 19	158869	Shaft, Eccentric 21	159870	Camsleeve, Sensing 16
158761	Bail, Armature 19	158870	Guide 21	159906	Stud, Shoulder 4
158762	Lever, Trip 19	158873	Guide 21	160391	Stiffener 12
158763	Bracket 19	158874	Plate, Front 21	160392	Wick, Leather 12
158766	Screw, Contact (6-40) 20	158875	Plate, Rear 21	160398	Spring, Contact 11
158767	Guide, Lever 20	158876	Screw (6-40 x 1-5/8 Hex) 21	160399	Spring, Contact 11
158768	Terminal 20	158882	Bracket 20	160400	Contact Assembly 11
158770	Terminal, Spring Holder 20	158883	Spring 20	160401	Bracket, Switch Mounting 11
158771	Shaft 7	158887	Plate, Contact 21	160402	Bracket, Stop 11
158777	Holder, Screw 20	158888	Plate, Contact 21	160403	Contact Assembly 13
158778	Post, Spring 7	158889	Plate, Front 13	160404	Spring, Contact 13
158779	Lever, Cam Follower 7	158890	Casting 2	160434	Spring 6
158780	Guide 7	158891	Plate, Rear 12	160455	Spring 19
158781	Rocker, Contact 20	158893	Post, Spring 7	160544	Shaft 10
158784	Lever, Feed 5	158894	Post, Stop 7	160545	Post, Guide 10
158786	Roller 5, 6, 14, 15	158895	Clip 16, 17, 18	160546	Post 10
158788	Clamp, Bearing 16, 17	158896	Lever, Latch 19	160548	Bail 10
158789	Plug, Oil Retainer 4	158897	Shaft, Sensing 18	160549	Bail 11
158790	Stud 4	158898	Camsleeve 17	160552	Arm, Slide 11
158791	Gear (23 T) 4	158899	Plate, Top 8	160556	Stud 11
158792	Spacer 4	158900	Plate 9	160557	Arm 11
158794	Spacer 16, 17	158907	Spring 6, 15	160558	Arm 11
158795	Plate 16, 17	158926	Screw (4-40 x 7/32 Hex) 16, 17, 18	160562	Screw (6-40 Spl) 4, 12
158797	Drum, Clutch 16, 17, 18	159078	Block, Contact 21	160563	Wick, Leather 4
158798	Pin, Sensing 6	159094	Plate 21	160564	Stiffener 4
158799	Pin, Tape Out 6	159095	Spring 21	160565	Bail 4
158800	Screw, Pivot (10-32) 7	159132	Block Assembly, Storing 21	160566	Bracket 4
158801	Screw, Pivot (10-32) 7	159138	Stud 3	160567	Reservoir, Oil 4
158805	Lever 5, 14	159143	Spring, Torsion 3	160583	Spring, Contact 13
158807	Screw (3-48 x 11/64 Fil) 3	159147	Latch 3	160590	Bracket, Switch Mounting 13
158810	Bail 5, 14	159150	Yoke 3	160591	Bracket, Spring 14
158812	Bail 5, 14	159153	Plate, Top 3	160592	Bail, Switch 10
158813	Cover, Contact 3	159155	Lid, Tape 3	160593	Terminal 11, 13
158815	Spring, Contact 3	159158	Deflector, Tape 3	160594	Contact Assembly, Tape Out 13
158816	Spring, Contact 3, 13	159164	Bracket, Deflector 6	160595	Pin, Tape Out 14
158817	Stiffener 3	159165	Plate, Intermediate 13	160596	Spring 14
158818	Bracket 3	159166	Plate, Stop 8	161148	Retainer, Oil Wick 6, 15
158819	Shaft 5, 14	159167	Reservoir Assembly 12	161149	Wick, Oil 6, 15
158821	Plate, Front 7	159169	Spacer 18	161325	Bail, Latch 5, 14
158822	Plate, Rear 4	159241	Camsleeve 18	161326	Bail, Pusher 5, 14
158823	Wheel, Feed 3	159244	Plate 3	161328	Shaft, Pivot 5, 14
158827	Connector, Receptacle (32 Pt) 20	159293	Arm, Extension 10	161494	Washer, Felt 3
158828	Bushing, Mounting 7	159313	Reservoir Assembly 4	162354	Reservoir, Oil 4, 12
158829	Shaft, Eccentric 6, 15	159316	Wick, Leather 12	162355	Bracket 4, 12
158830	Guide 6, 15	159317	Retainer, Wick 12	163011	Pinion (23 T) 4
				163012	Gear (46 T) 16, 18

NUMERICAL INDEX (Continued)

Part Number	Description and Page Number	Part Number	Description and Page Number	Part Number	Description and Page Number
163363	Stud 4	165027	Network, Spark Suppression 19	176511	Spring, Tape Clip 8
164467	Post, Eccentric 9	173362	Stiffener 3	176512	Strip, Narrow 8
164468	Bail 9	173871	Spring 4	176518	Strip, Wide 8
164469	Post 9	174326	Bracket 23	178263	Nut, Cap (4-40) 8
164470	Bracket w/Post 9	174327	Cover 23	179135	Lever, Push 6
164471	Bracket w/Post 9	174329	Plunger 23	179228	Modification Kit 23
164472	Modification Kit to Provide improved tape lid latch mechanism 9	174330	Gasket 23	179384	Spring, Contact 13
164568	Modification Kit to Provide field replacement for latch bail, pusher bail and shaft 5, 14	174331	Insulator (.031") 23	193567	Post, Spring 19
164929	Suppressor Assembly, Spark 19	174455	Pawl, Feed 10	193722	Bushing, Insulator 23
164930	Modification Kit to Provide contact protection for multi-contact distributors 19	174506	Block, Contact 20	193784	Screw, Contact 21
164931	Bracket 19	176159	Cover 22	193785	Screw, Contact 21
		176164	Bracket, Cover 22	193788	Lever, Contact 21
		176166	Post 22	193789	Lever, Contact 21
		176264	Modification Kit 2, 22	193792	Lever, Contact 21
		176389	Label (Free-Stop) 8	199301	Holder Assembly, Tape 8
		176390	Label (Run) 9	199302	Magnet 8
				199310	Keeper, Magnet 8