

28 TRANSMITTER (LX) AND 28 TRANSMITTER DISTRIBUTOR (LXD)

PARTS

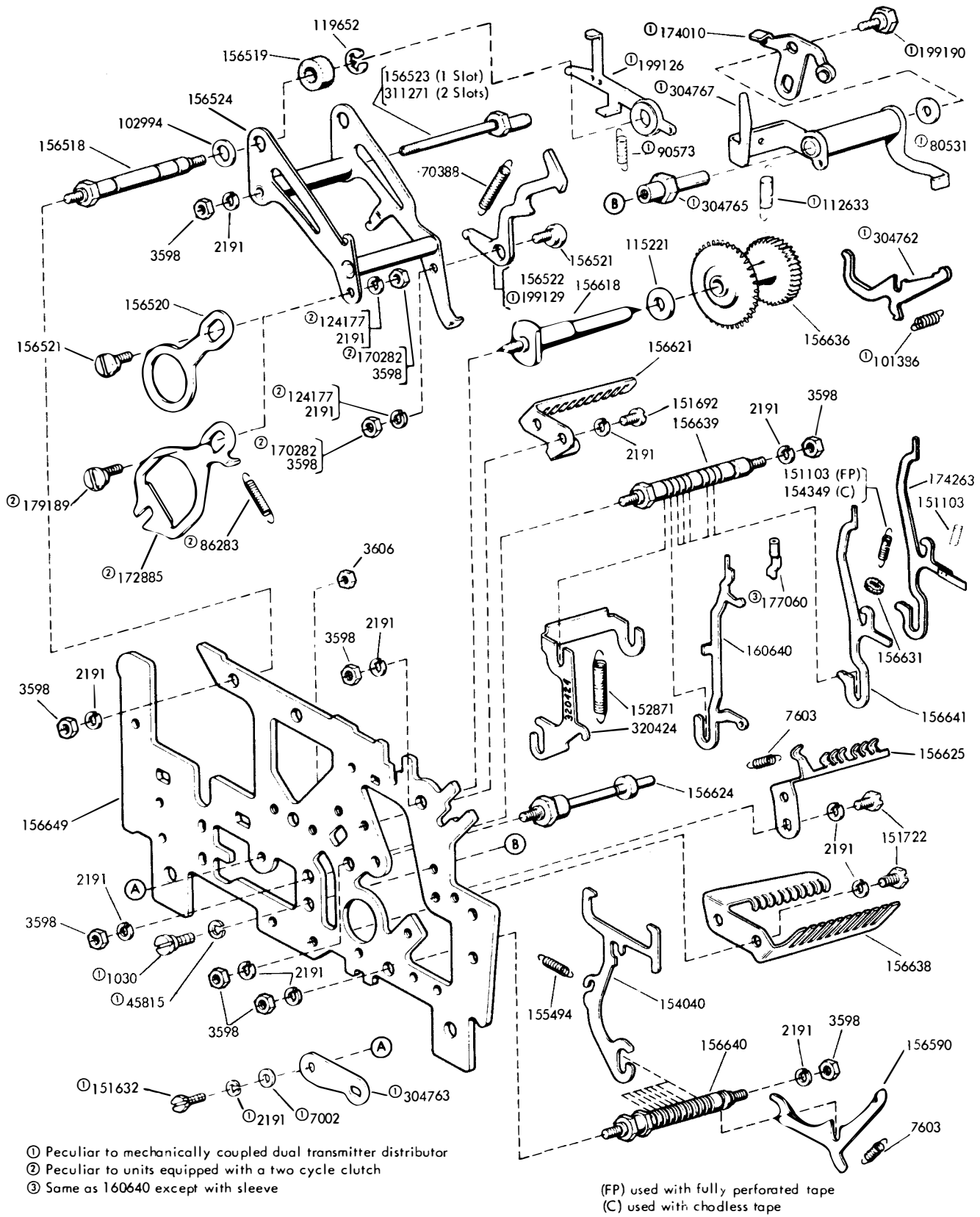
FIGURE	CONTENTS	PAGE	FIGURE	CONTENTS	PAGE
1	Front Plate Mechanism	2	15	Tape Guide Plate Mechanisms	16
2	Front Plate Mechanism (Continued)	3	16	Tape Guide Plate Mechanisms (Continued)	17
3	Front Plate Mechanism (Continued)	4	17	Tape Guide Plate Mechanisms (Continued)	18
4	Front Plate Mechanism (6,7 and 8 Level Units)	5	18	Cover and Top Plates	19
5	Front Plate Mechanism (With Tape Feed Assurance Contact)	6	19	Tape-Out Mechanism For Mechanically Coupled Dual Transmitter Distributor (Current Design)	20
6	Center Plate and Timing Mechanism	7	20	Tape-Out Mechanism for Mechanically Coupled Dual Transmitter Distributor (Early Design)	21
7	Rear Plate Mechanism	8	21	Cable Components	22
8	Clutch Trip Magnet Mechanism	9	22	162490 Modification Kit: To Provide Multiple Wire Output on Transmitter Distributor	23
9	156648 and 162997 Contact Box Assemblies	10	23	174195 Modification Kit: To Provide Start-Stop Contacts	24
10	174420 Contact Box Assembly	11	24	174211 Modification Kit: To Provide Magnet Release Contacts	24
11	198610 (Low Level Keyer) and 199505 (Extreme R. F. Suppression) Contact Box Assemblies	12	25	179603 Modification Kit: To Add Tape Withhold Mechanism To Transmitter-Distributor	25
12	192600 (Neutral Transmission), 197920 (Neutral Transmission w/Arc Suppression), 305008 (Polar Transmission) and 315760 (Polar Transmission w/Insulated Drive) Contact Box Assemblies	13	15	Numerical Index	26
13	Main Shaft Mechanism - 1 Cycle	14			
14	Main Shaft Mechanism - 2 Cycle	15			

The part identification information contained in the following change notices have been incorporated in this issue.

574-127-800.04
TCN's 574-127-800.06
#587, #627, #726, #787, #924, #978, #1119

UNITS	TELETYPE CODE	BELL SYSTEM CODE
TRANSMITTER DISTRIBUTOR	LXD3	28E
	LXD4	28H
	LXD5	28H-2
	LXD9	28H-4
	LXD15	28H-1
	LXD18	28H-3
	LXD26	28H-5
	LXD37	28J
	LXD600	20C

NOTE:
When ordering parts from this section, prefix each number with the letters TP.



See Figure 4 for 6, 7 and 8 level peculiarities

FIGURE 1. FRONT PLATE MECHANISM

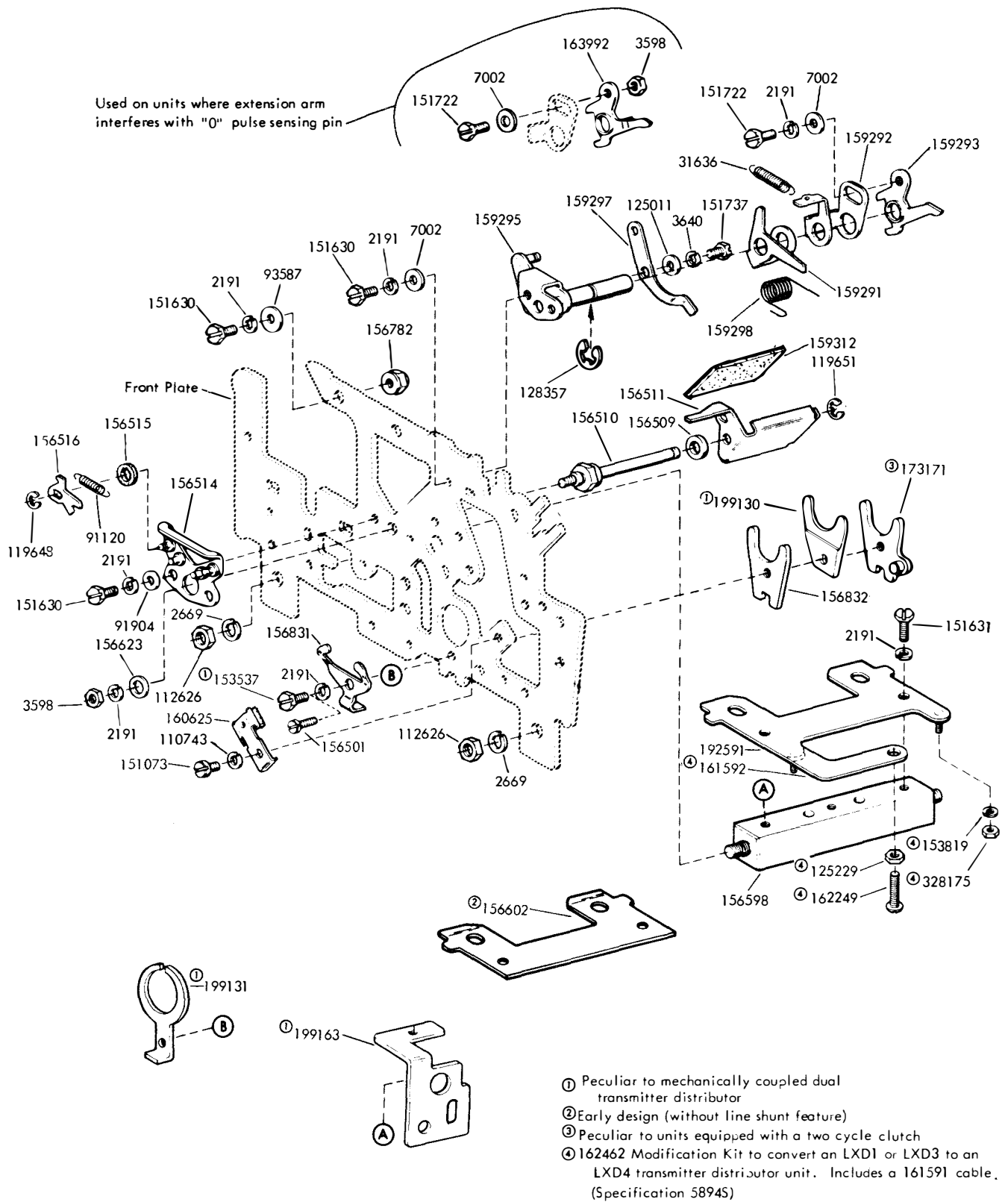
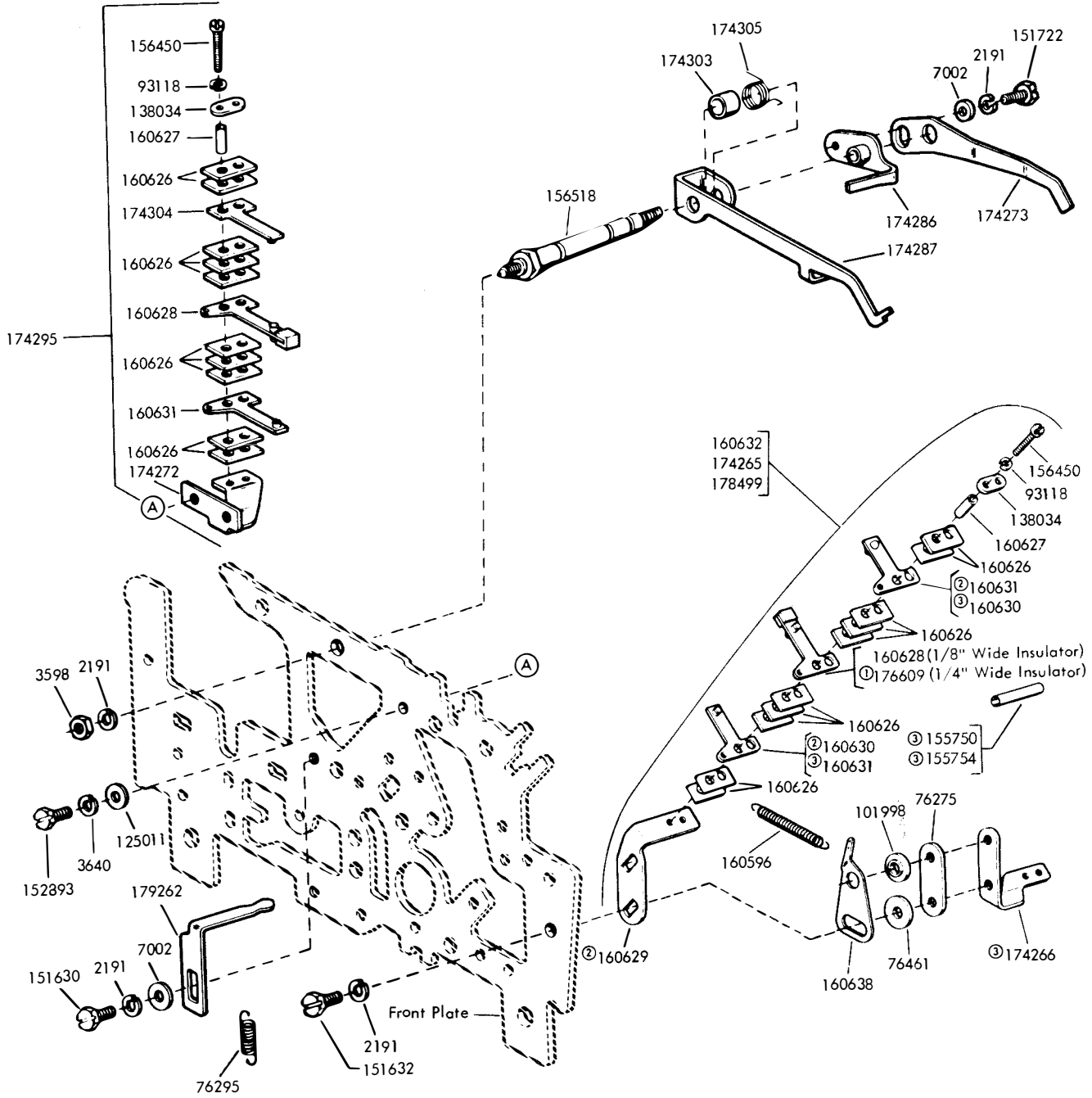
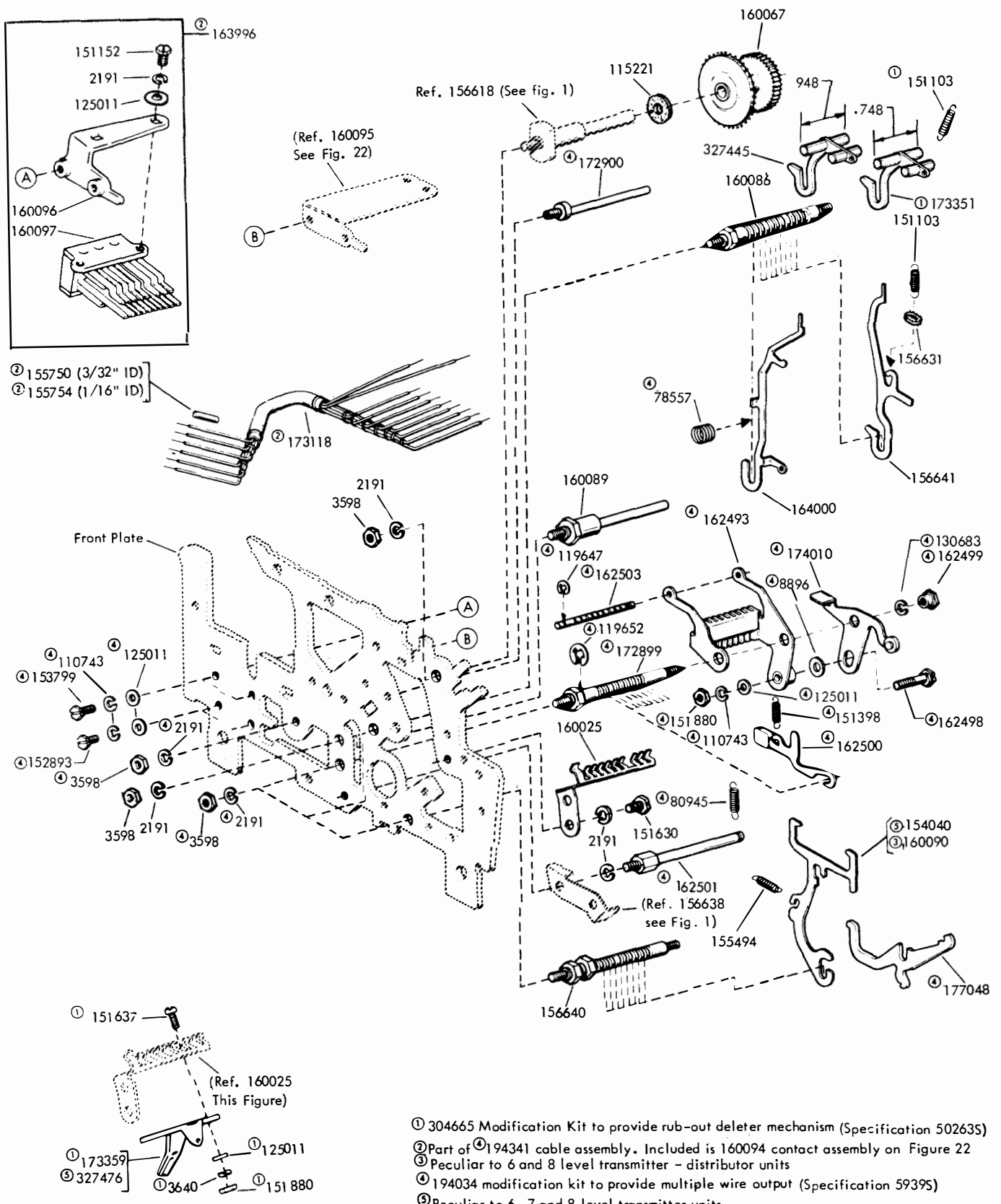


FIGURE 2. FRONT PLATE MECHANISM (Continued)



- ① Peculiar to 178499
- ② Peculiar to 174265
- ③ Peculiar to 160632 and 178499

FIGURE 3. FRONT PLATE MECHANISM (Continued)



- ① 304665 Modification Kit to provide rub-out deleter mechanism (Specification 502635)
- ② Part of ①194341 cable assembly. Included is 160094 contact assembly on Figure 22
- ③ Peculiar to 6 and 8 level transmitter - distributor units
- ④ 194034 modification kit to provide multiple wire output (Specification 59395)
- ⑤ Peculiar to 6, 7 and 8 level transmitter units

FIGURE 4. FRONT PLATE MECHANISM (6, 7, AND 8 LEVEL UNITS)

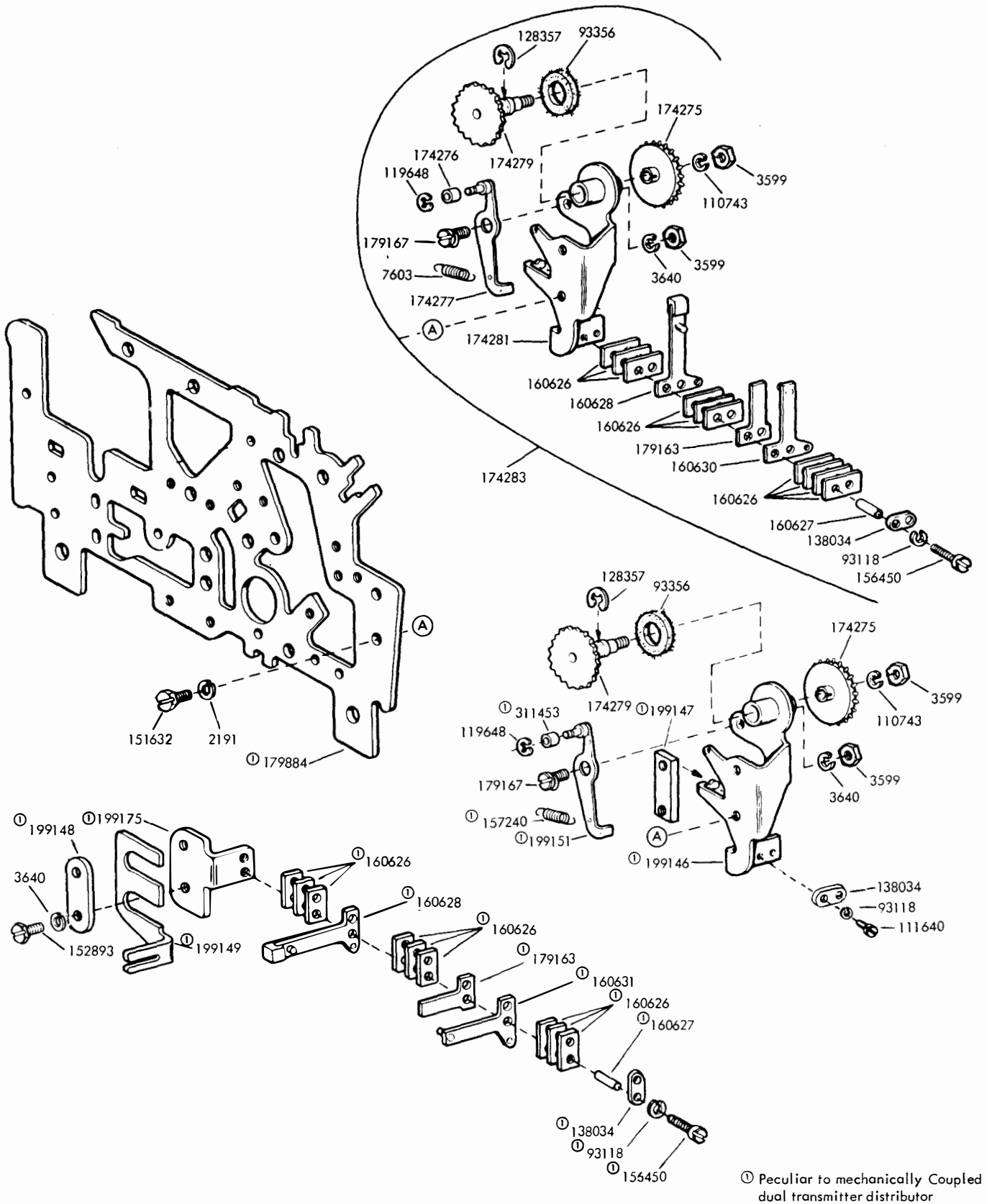


FIGURE 5. FRONT PLATE MECHANISM (WITH TAPE FEED ASSURANCE CONTACT)

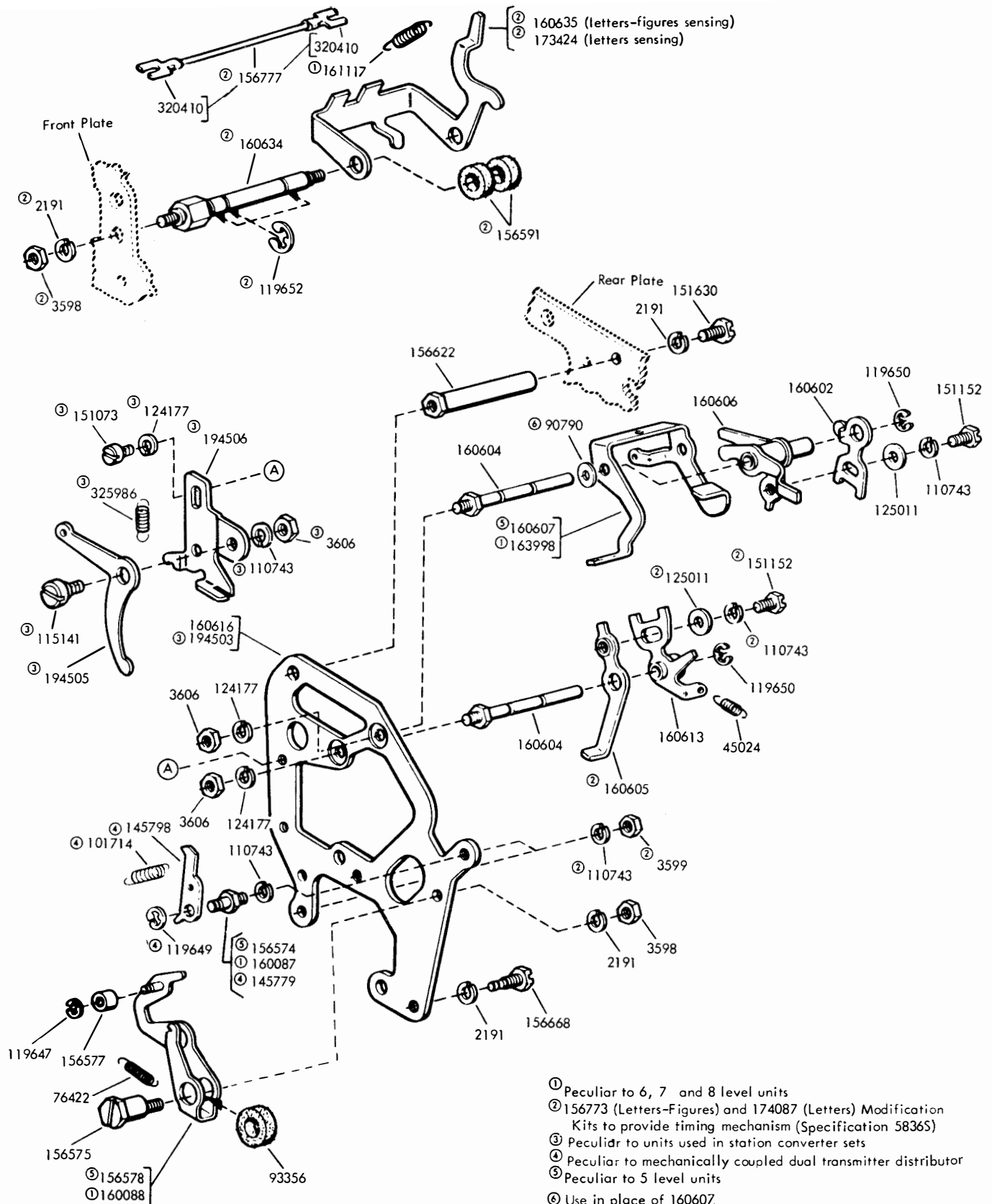
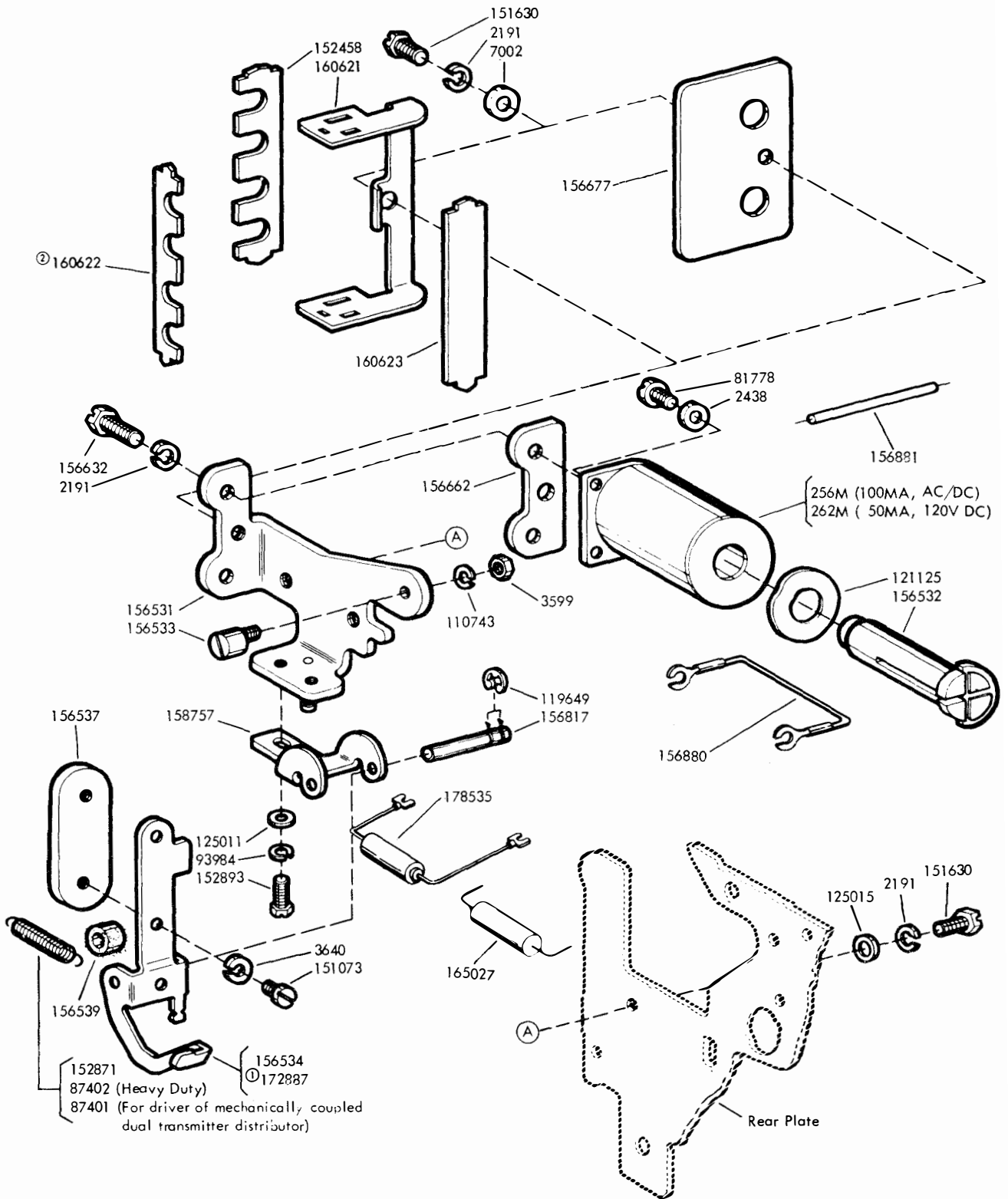
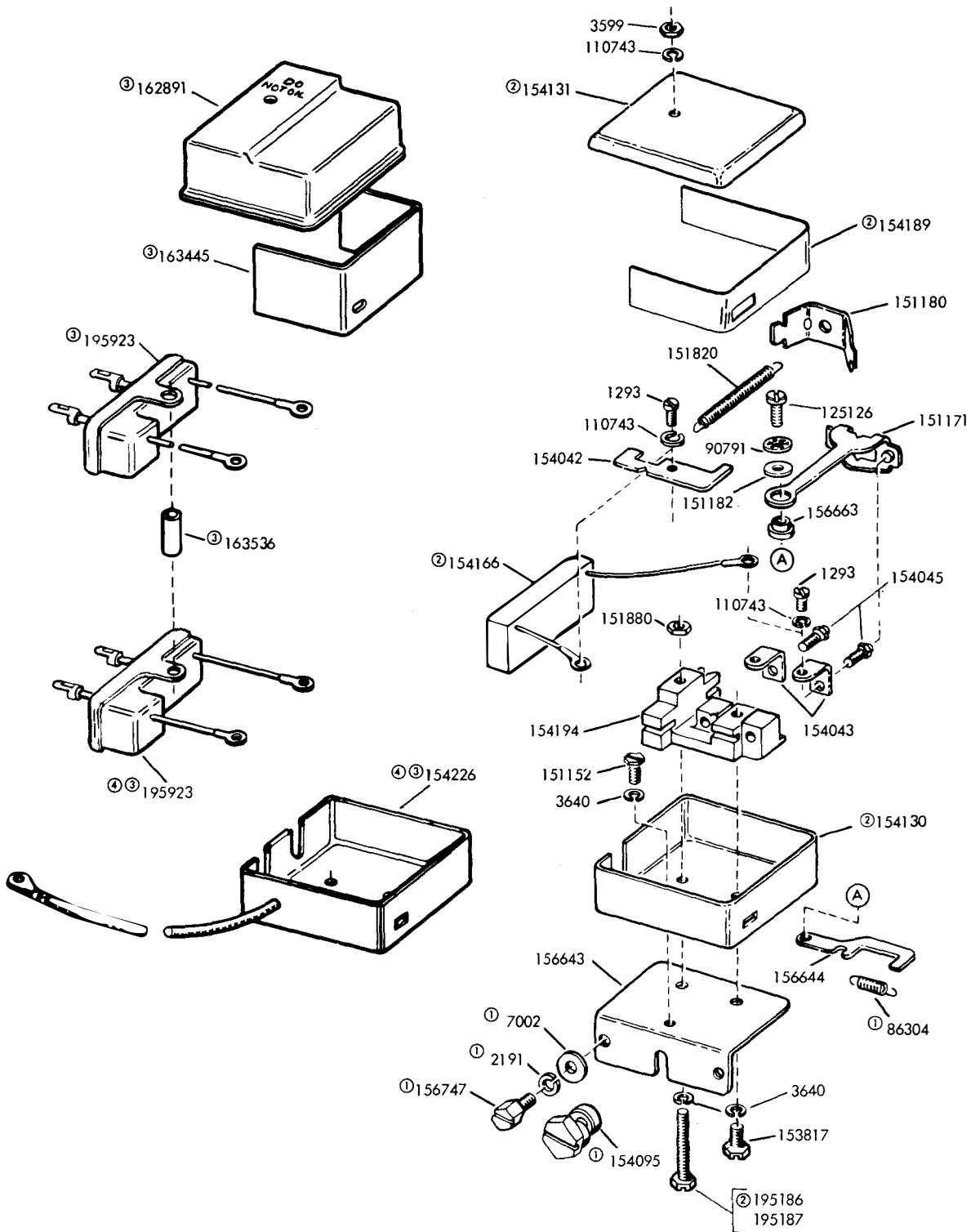


FIGURE 6. CENTER PLATE AND TIMING MECHANISM



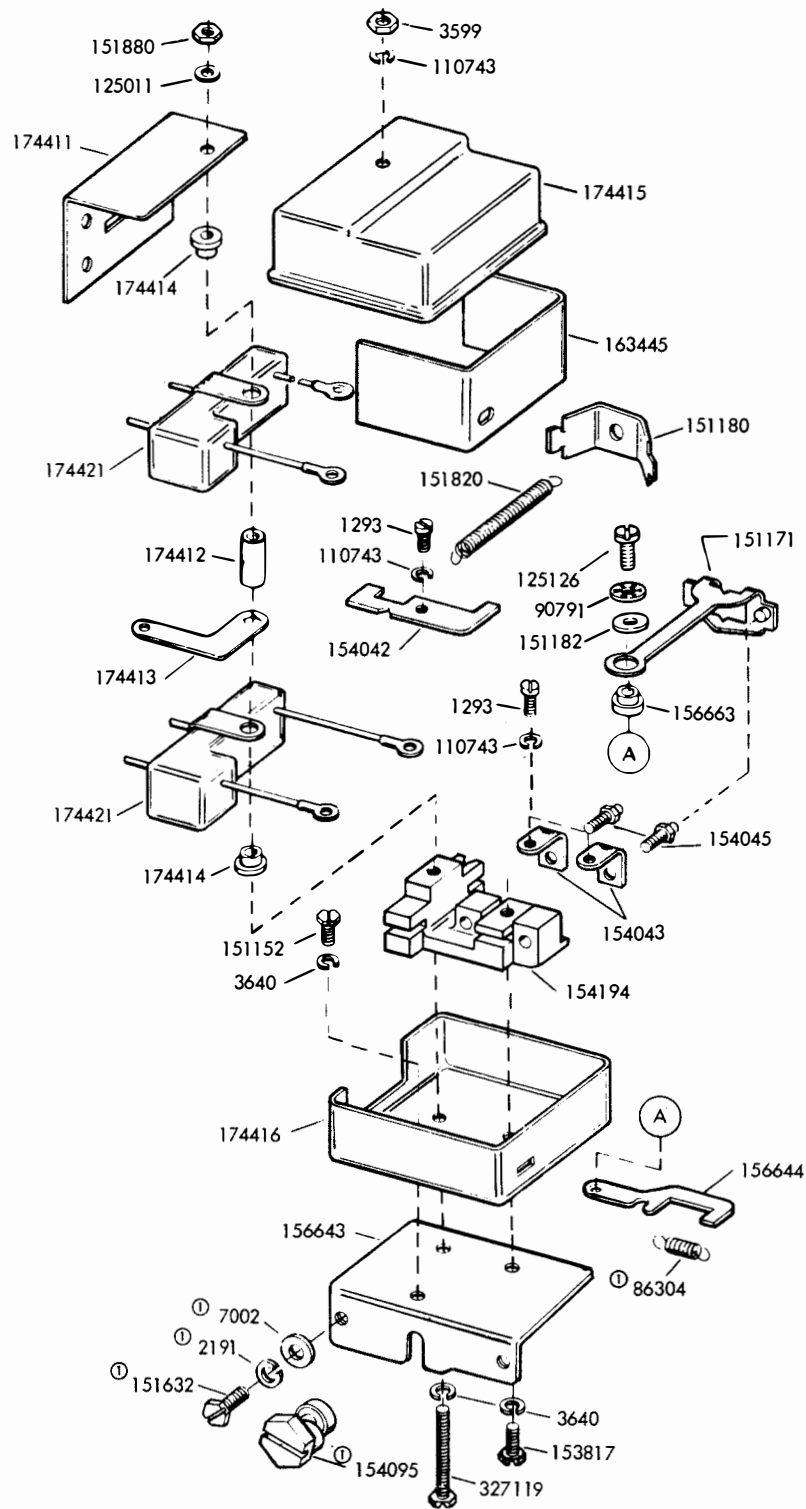
- ① For use with a two cycle clutch
- ② Not required if unit is equipped with new style magnet coil with insulated terminals.

FIGURE 8. CLUTCH TRIP MAGNET MECHANISM



- ① Not supplied with Contact Box
- ② Peculiar to 156648 (ARC suppression-neutral transmission)
- ③ Peculiar to 162997 (RF suppression-polar transmission)
- ④ 174491 Modification Kit to Provide R.F. Filter for Signal Generator Contacts. (Specification 500155)

FIGURE 9. 156648 AND 162997 CONTACT BOX ASSEMBLIES



ⓐ Not Part of Contact Box Assembly

FIGURE 10. 174420 CONTACT BOX ASSEMBLY

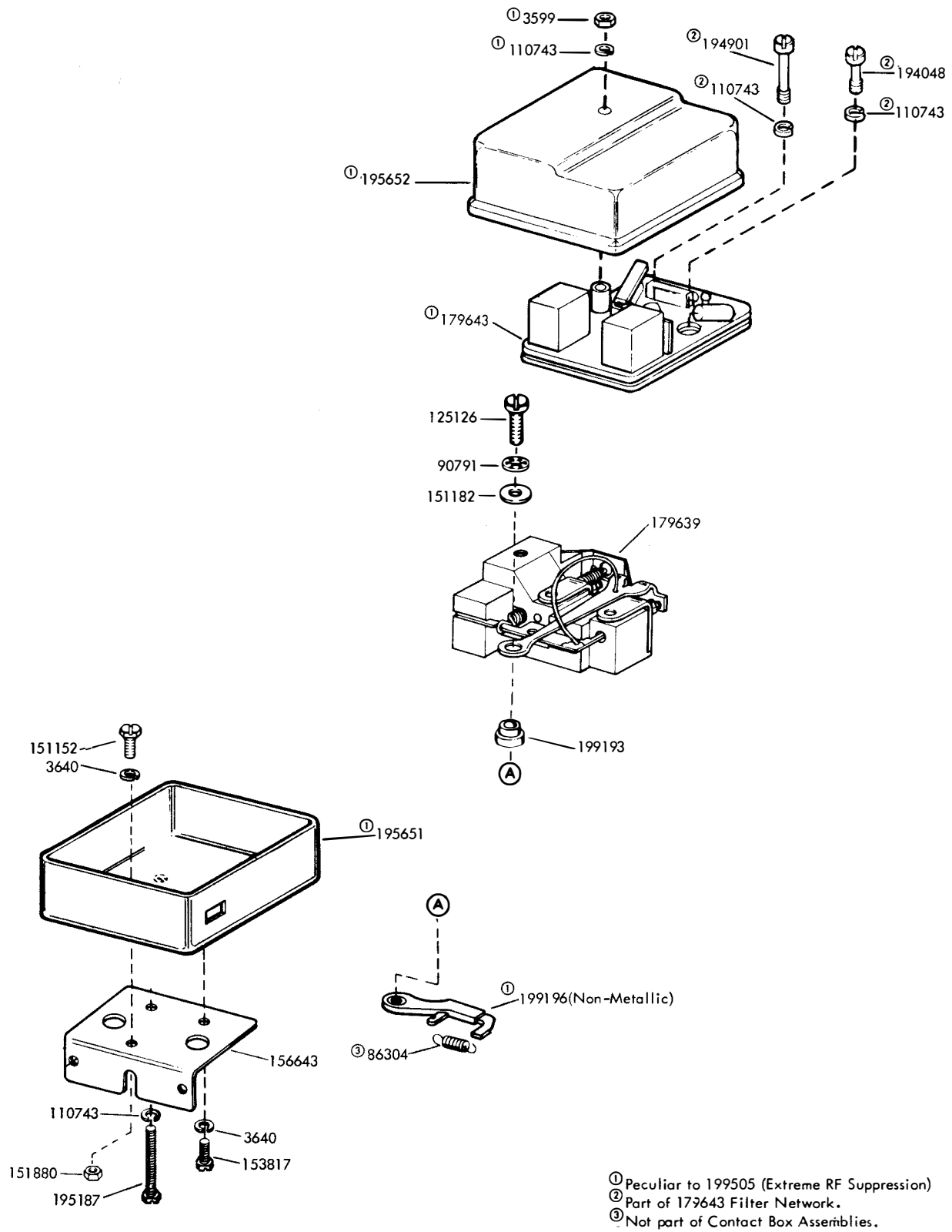


FIGURE 11. 198610 (Low Level Keyer) AND 199505 (Extreme RF Suppression) CONTACT BOX ASSEMBLIES

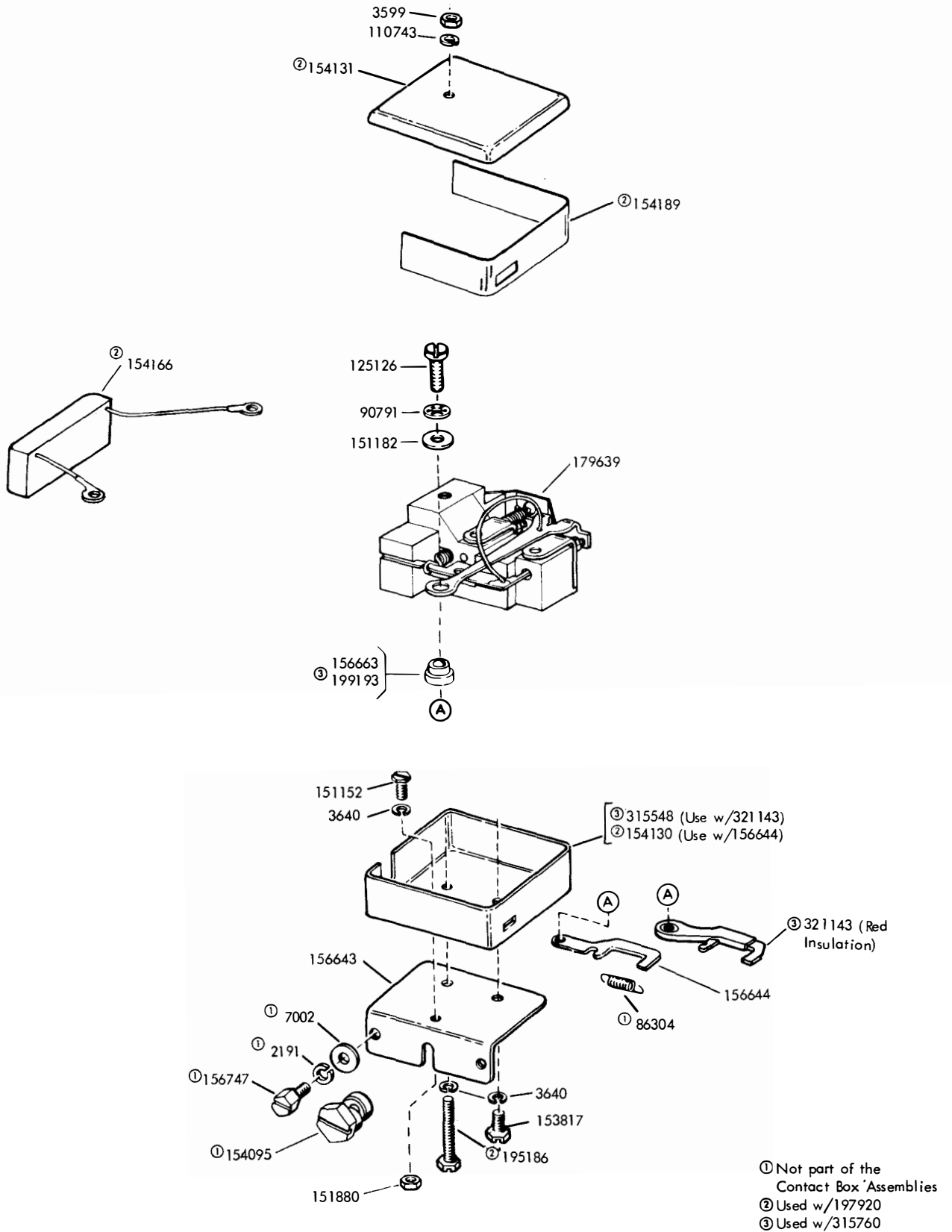


FIGURE 12. 192600 (Neutral Transmission), 197920 (Neutral Transmission w/Arc Suppression), 305008 (Polar Transmission) AND 315760 (Polar Transmission w/Insulated Drive) CONTACT BOX ASSEMBLIES

CAMSHAFTS		
PART NO.	LEVEL	CODE
156836	5	7.42
150015	6	8.5
154285	5	7.0
173349	6	8.5
199482	8	11.0
194357	5	7.5
311538	5	6.6
194502 8-5 Level Converter		
194578 5-8 Level Converter		

② 199159 Driver Mechanically coupled dual
199160 Driven Transmitter Distributor 5 level, 7.42 UC

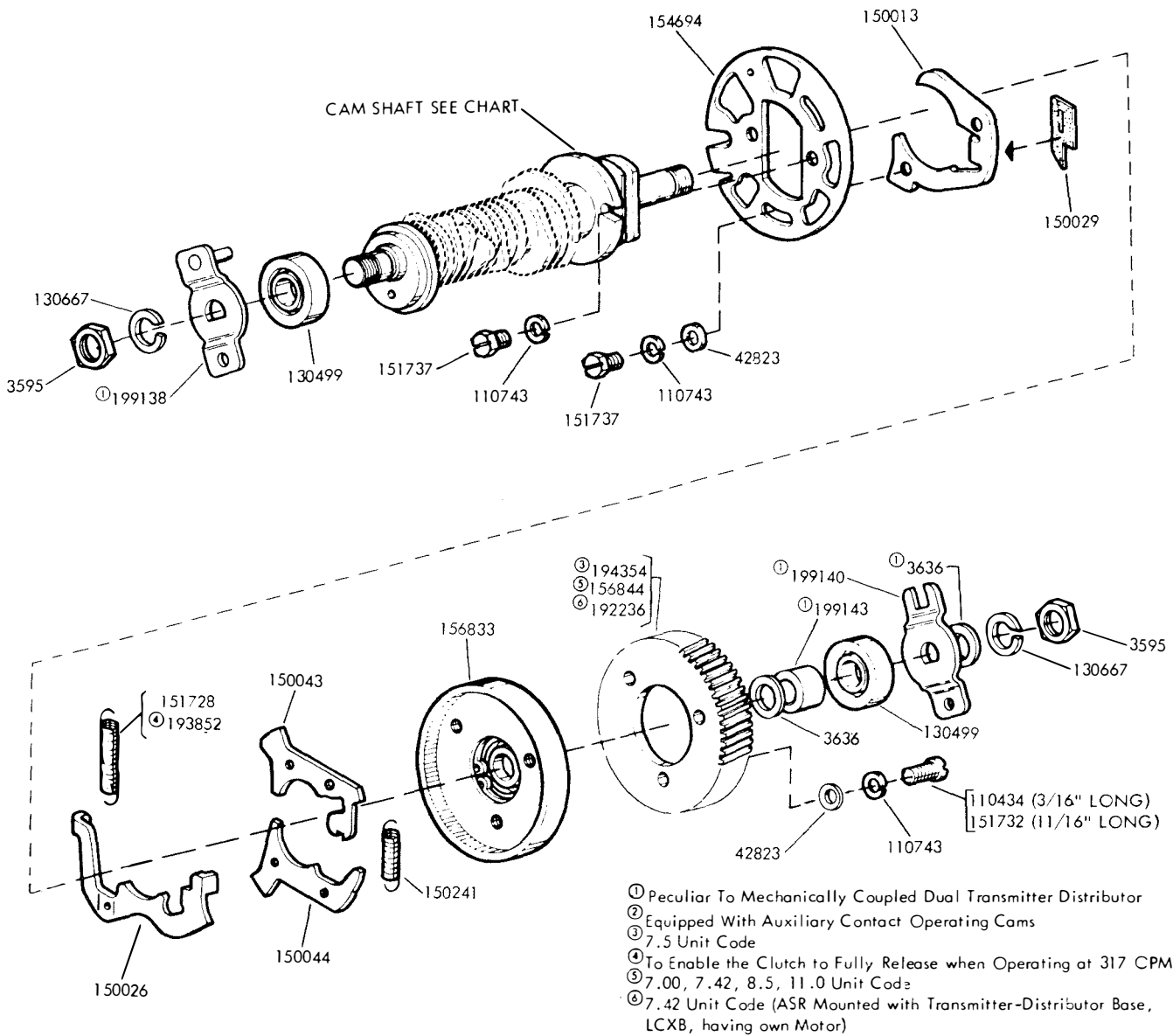


FIGURE 13. MAIN SHAFT MECHANISM - 1 CYCLE

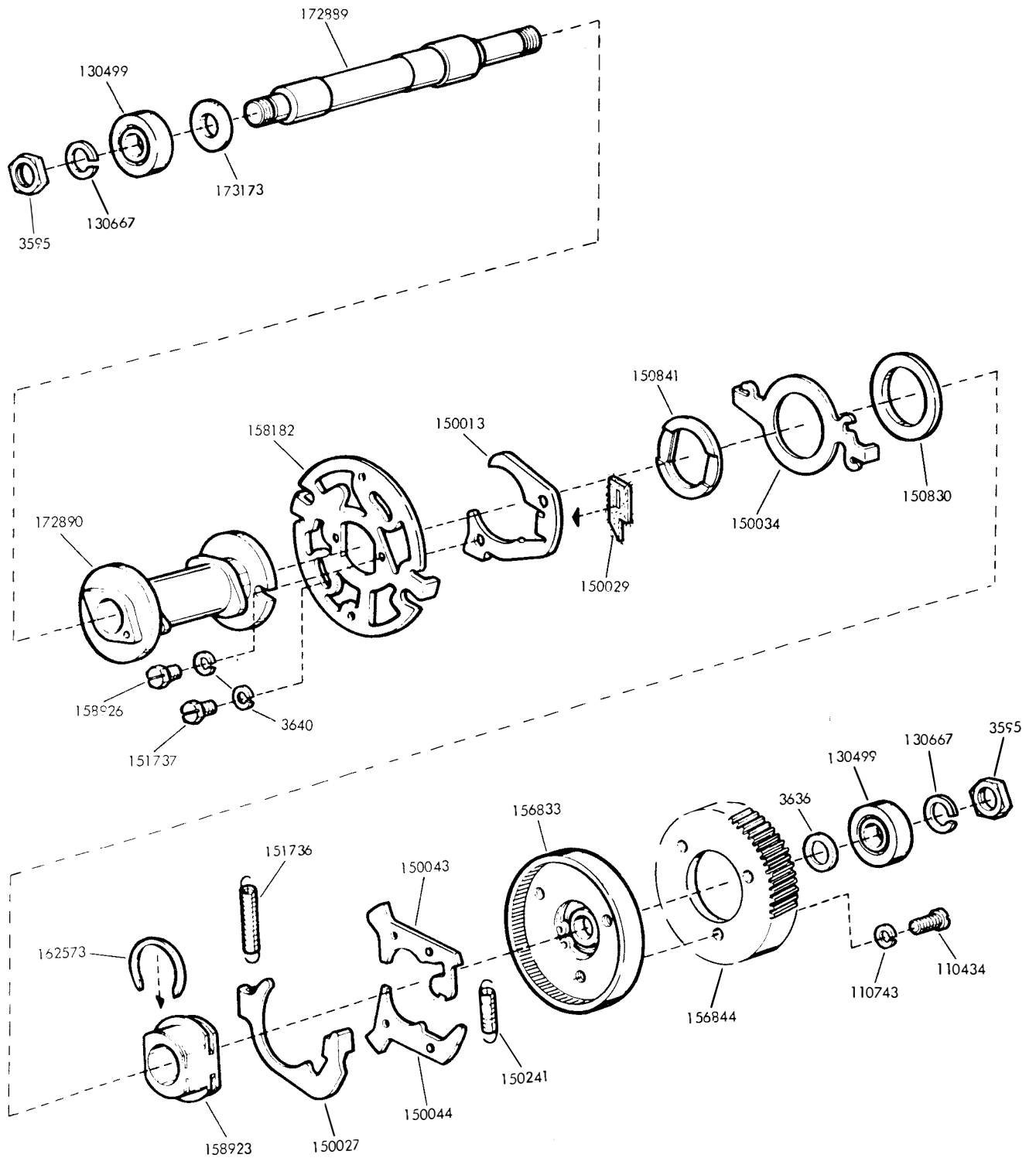


FIGURE 14. MAIN SHAFT MECHANISM - 2 CYCLE

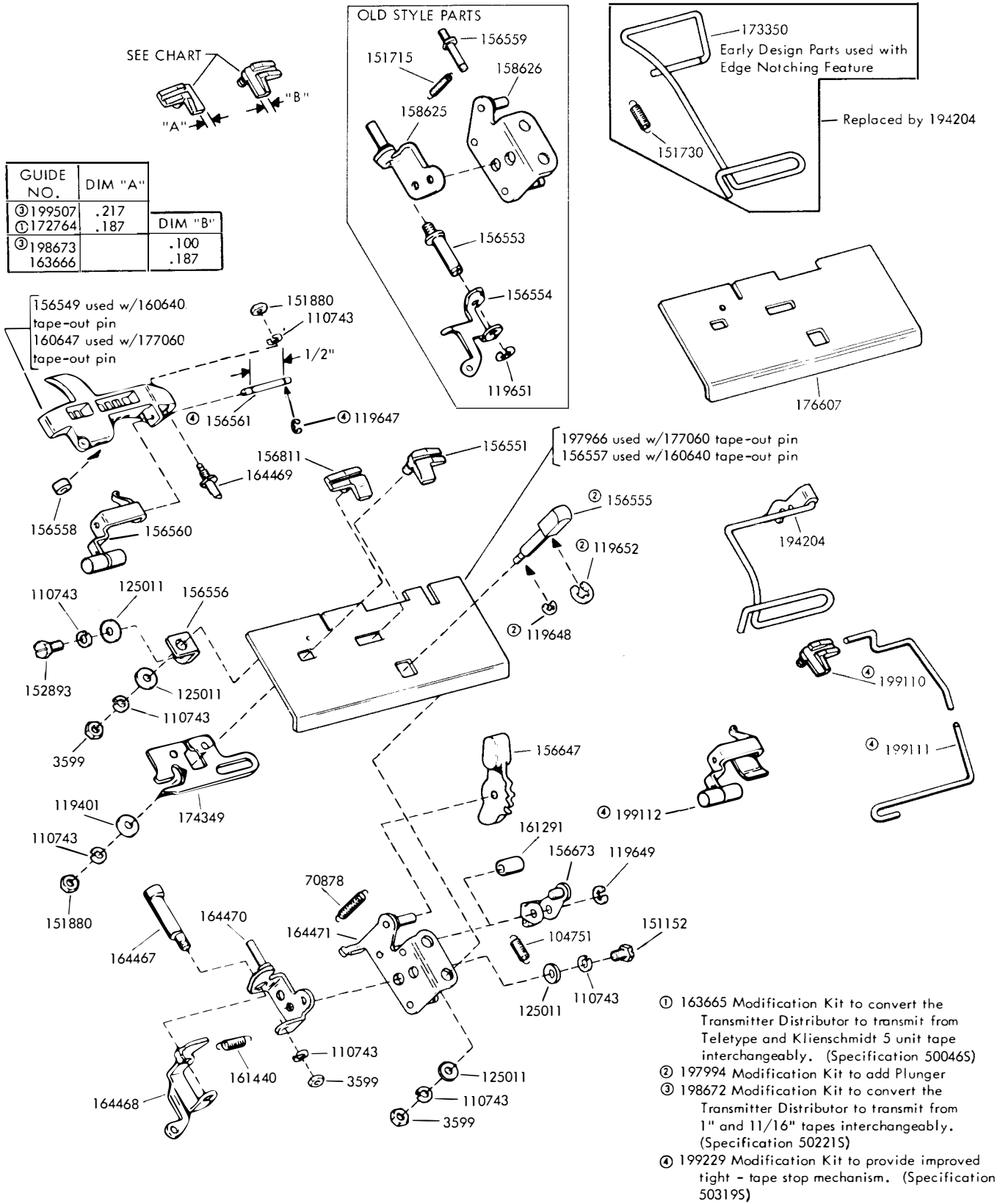


FIGURE 15. TAPE GUIDE PLATE MECHANISMS

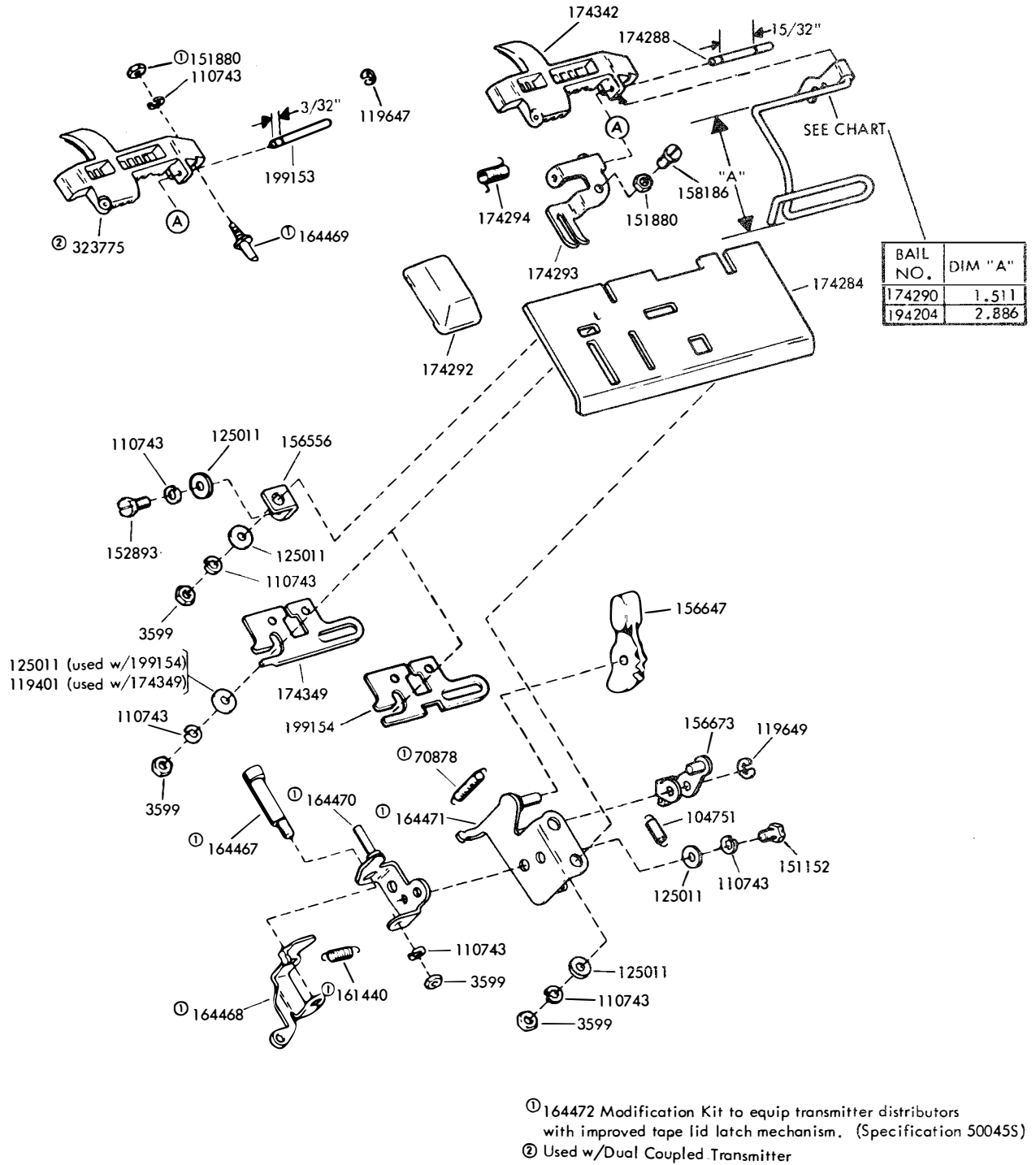


FIGURE 16. TAPE GUIDE PLATE MECHANISMS (Continued)

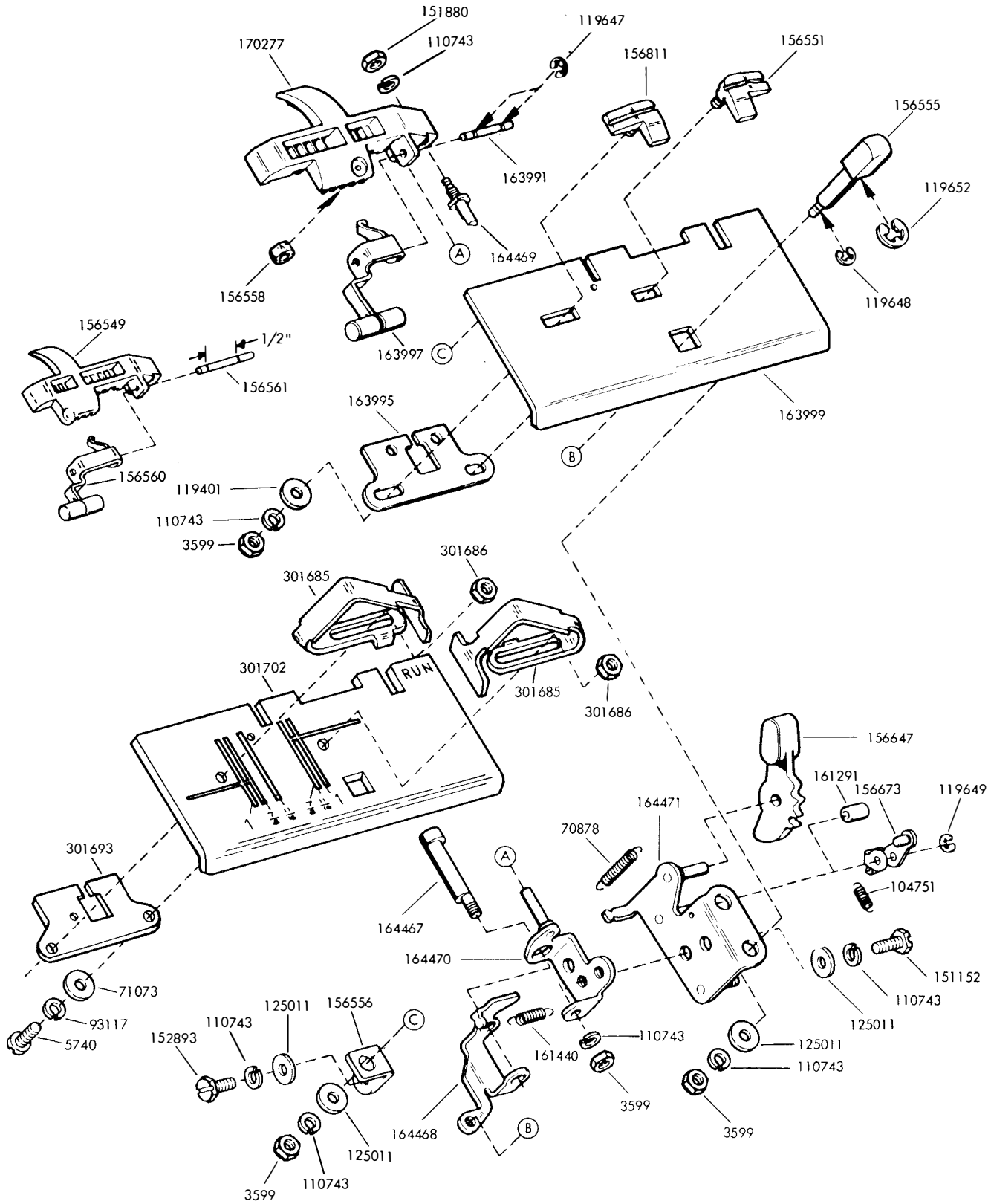
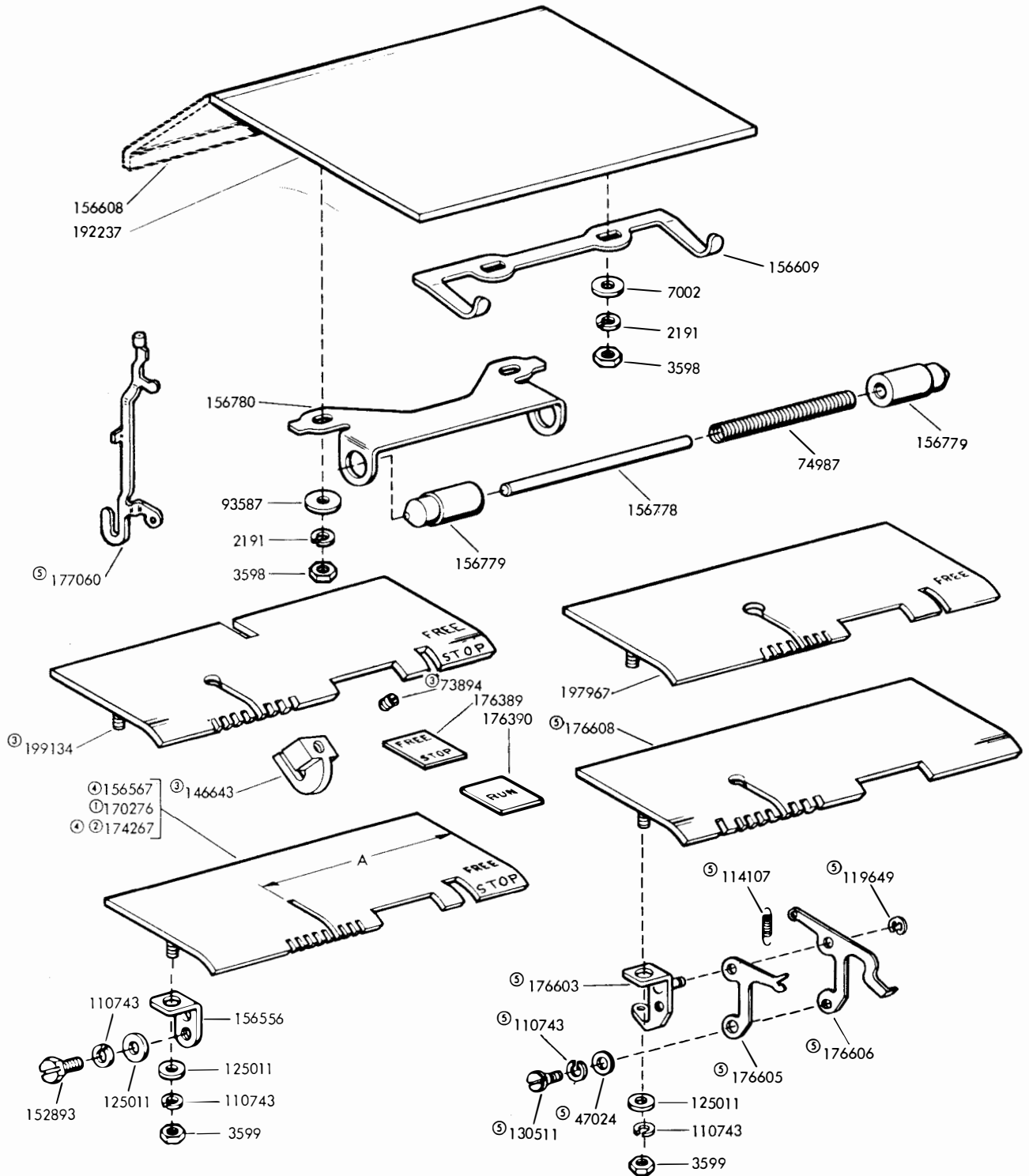


FIGURE 17. TAPE GUIDE PLATE MECHANISMS (Continued)



- ① Dimension "A" is 2.159 inches
- ② Peculiar to units equipped to detect a notch in edge of tape
- ③ Peculiar to mechanically coupled dual transmitter distributor
- ④ Dimension "A" is 2.359 inches
- ⑤ 174309 Modification Kit to convert an LXD4 to an LXD15. Also includes 176607, 174349 and 160647 as shown on Figure 13. (Specification 500875)

FIGURE 18. COVER AND TOP PLATES

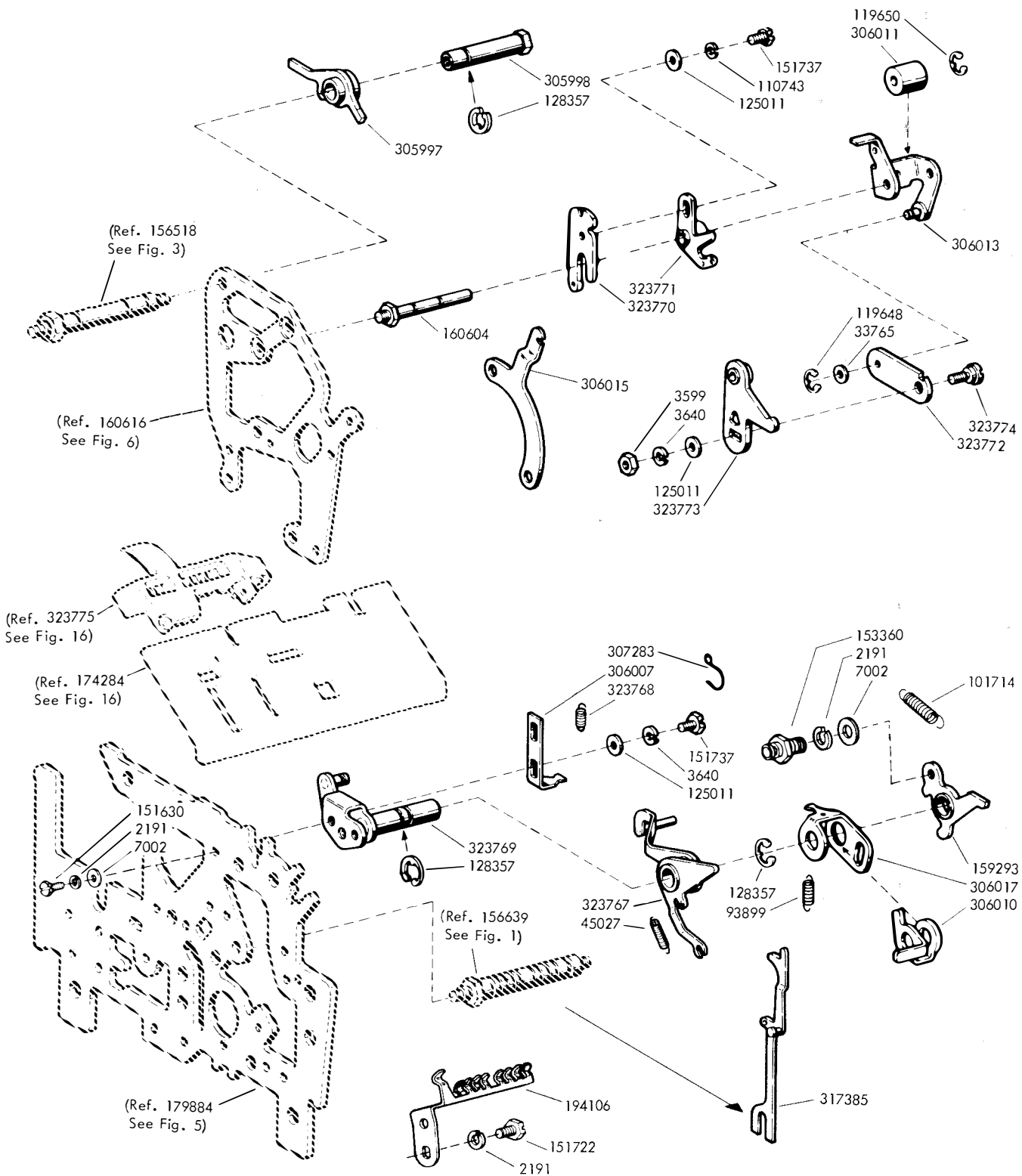


FIGURE 19. TAPE-OUT MECHANISM FOR MECHANICALLY COUPLED DUAL TRANSMITTER DISTRIBUTOR (CURRENT DESIGN)

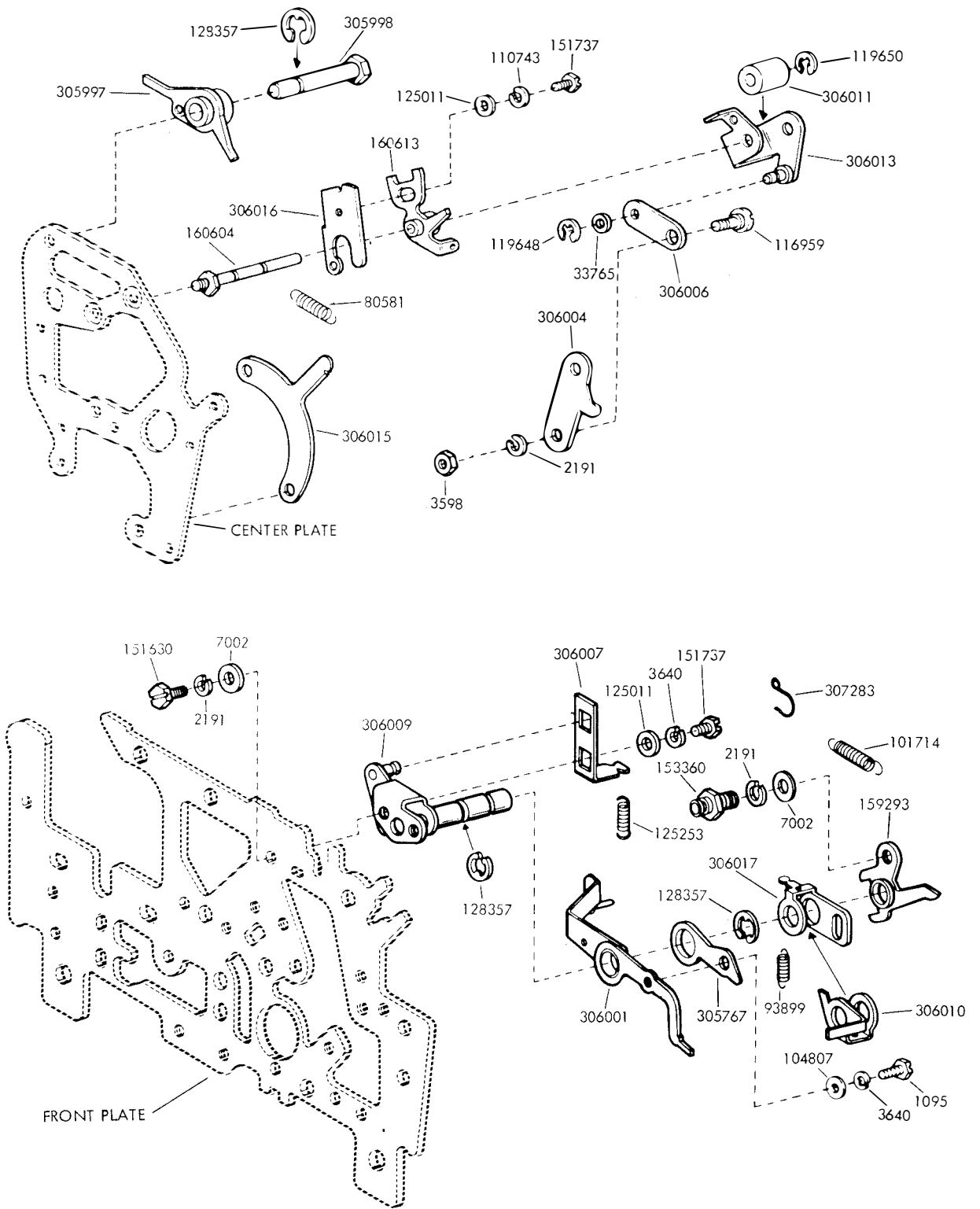
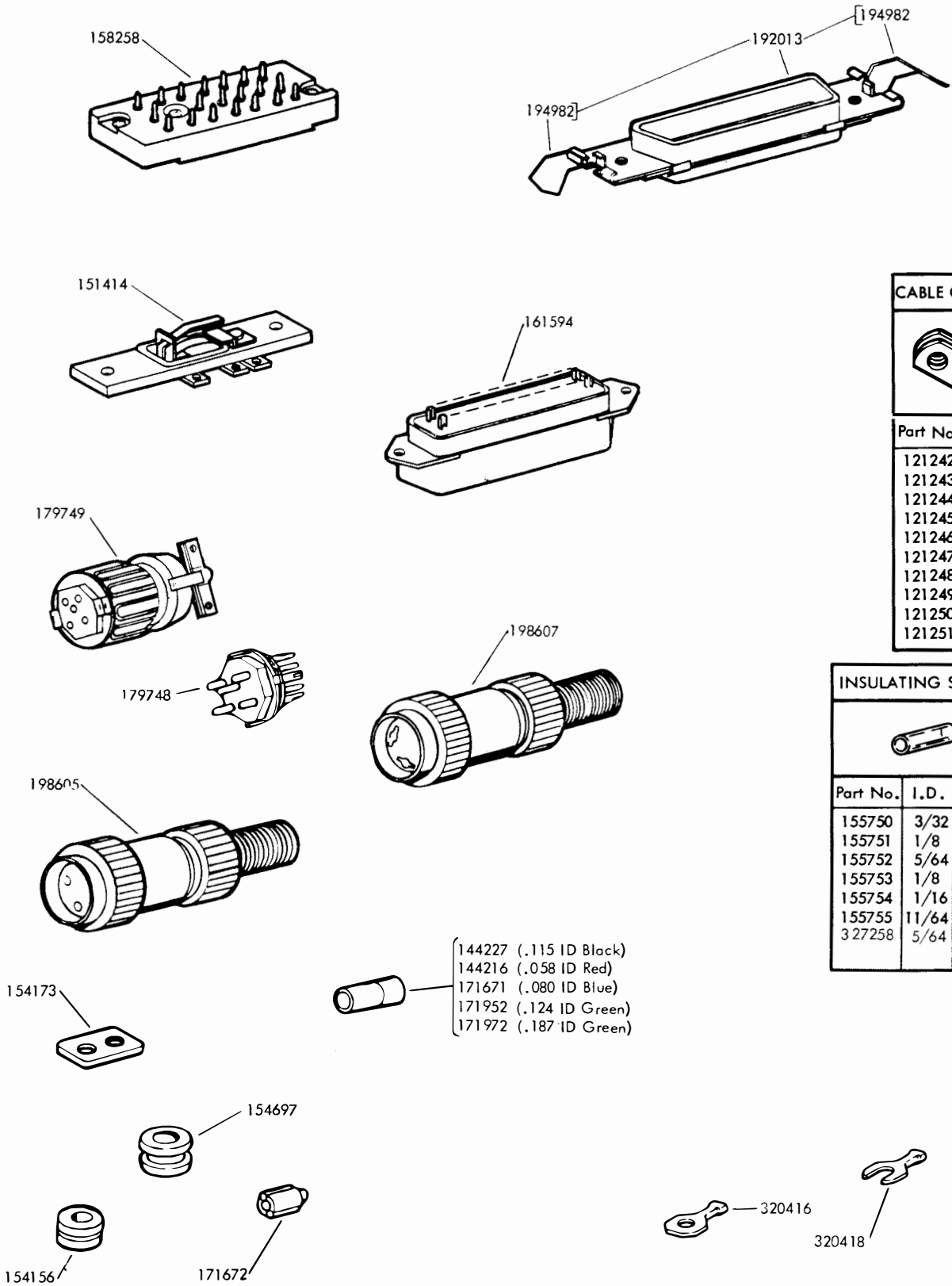




FIGURE 20. TAPE-OUT MECHANISM FOR MECHANICALLY COUPLED DUAL TRANSMITTER DISTRIBUTOR (EARLY DESIGN)



CABLE CLAMPS	
	
Part No.	I. D.
121242	1/8
121243	3/16
121244	1/4
121245	5/16
121246	3/8
121247	7/16
121248	1/2
121249	5/8
121250	3/4
121251	1

INSULATING SLEEVES		
		
Part No.	I. D.	Length
155750	3/32	1/2"
155751	1/8	1"
155752	5/64	1/2"
155753	1/8	1/2"
155754	1/16	1/2"
155755	11/64	5/8"
327258	5/64	1/4"

- 144227 (.115 ID Black)
- 144216 (.058 ID Red)
- 171671 (.080 ID Blue)
- 171952 (.124 ID Green)
- 171972 (.187 ID Green)

FIGURE 21. CABLE COMPONENTS

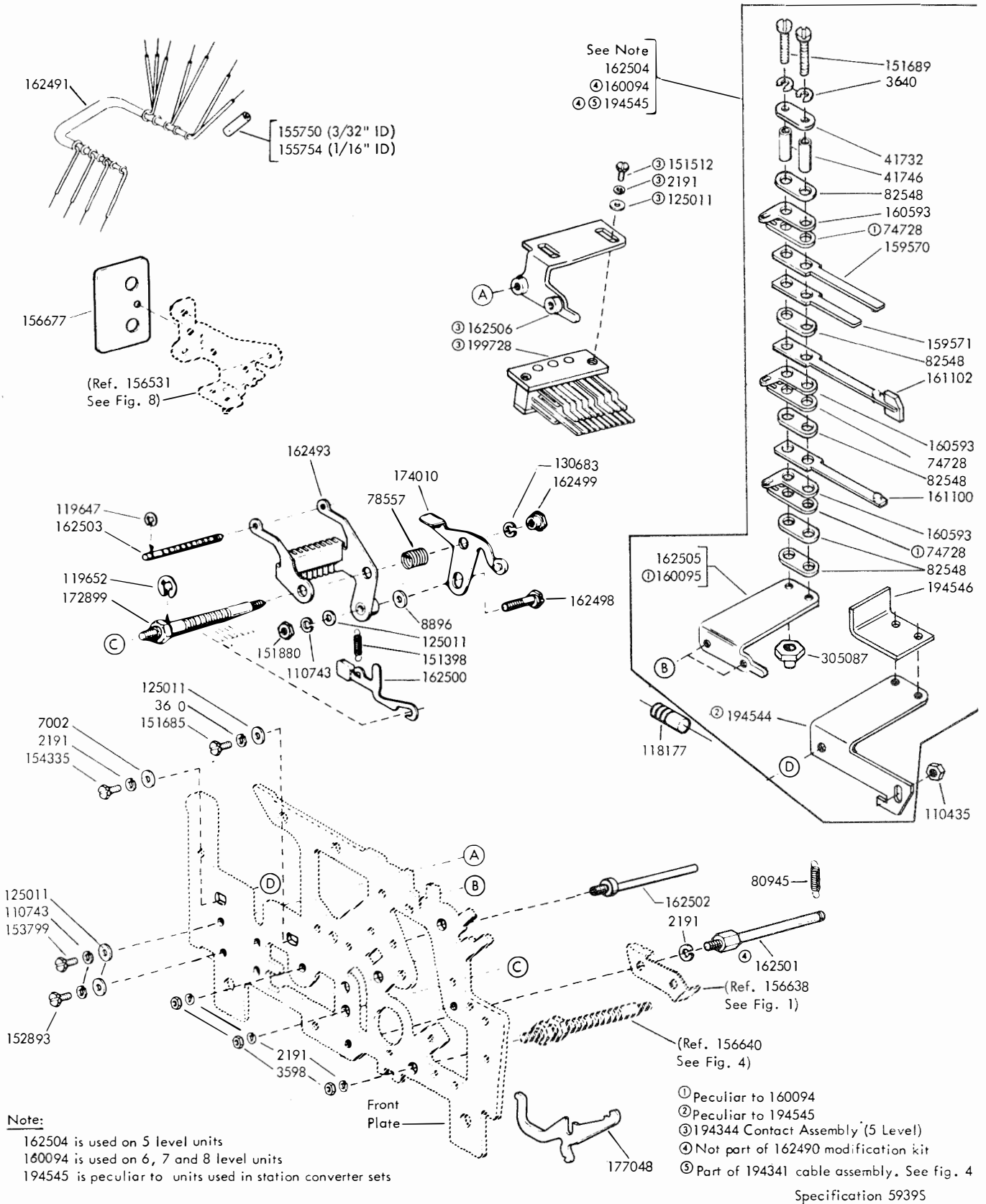


FIGURE 22. 162490 MODIFICATION KIT TO PROVIDE MULTIPLE WIRE OUTPUT ON TRANSMITTER DISTRIBUTOR

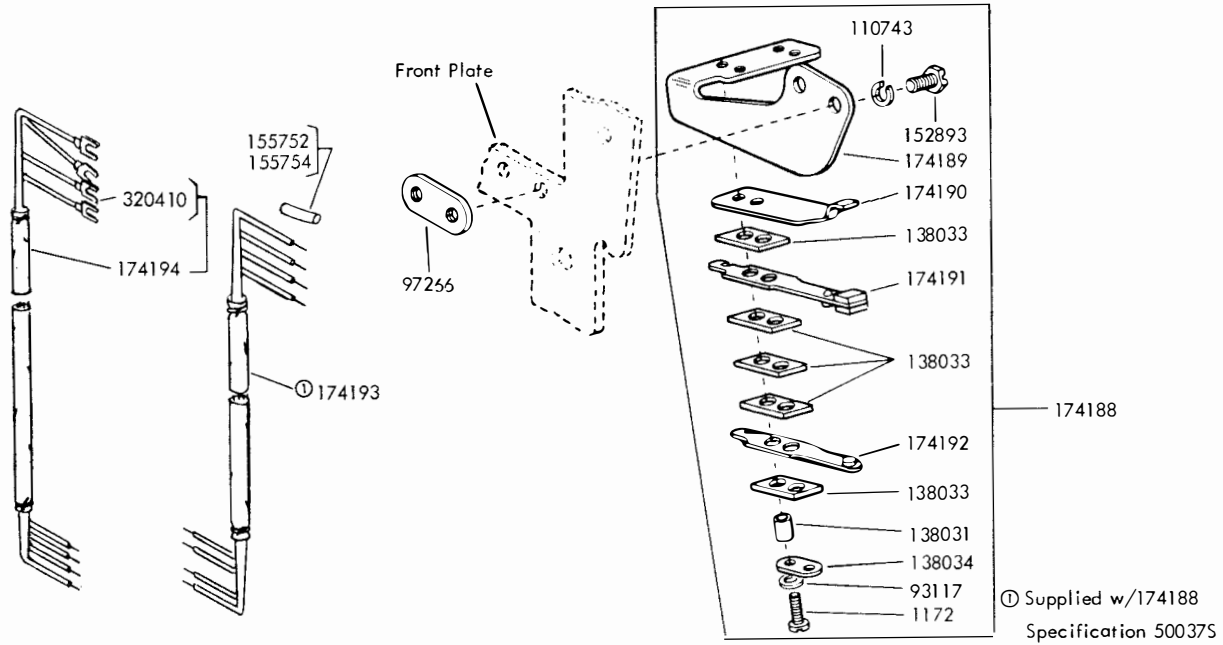


FIGURE 23. 174195 MODIFICATION KIT TO PROVIDE START-STOP CONTACTS

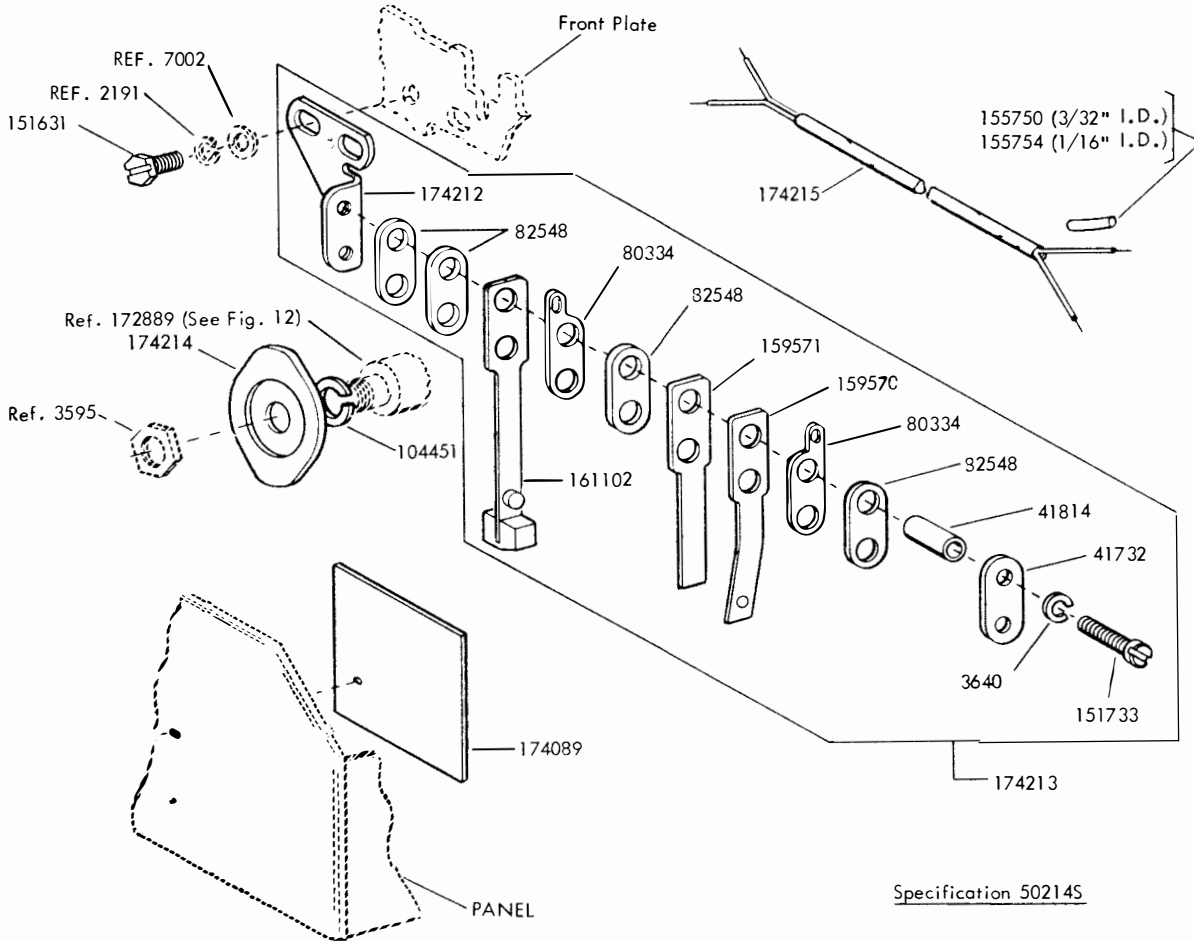


FIGURE 24. 174211 MODIFICATION KIT TO PROVIDE MAGNET RELEASE CONTACTS

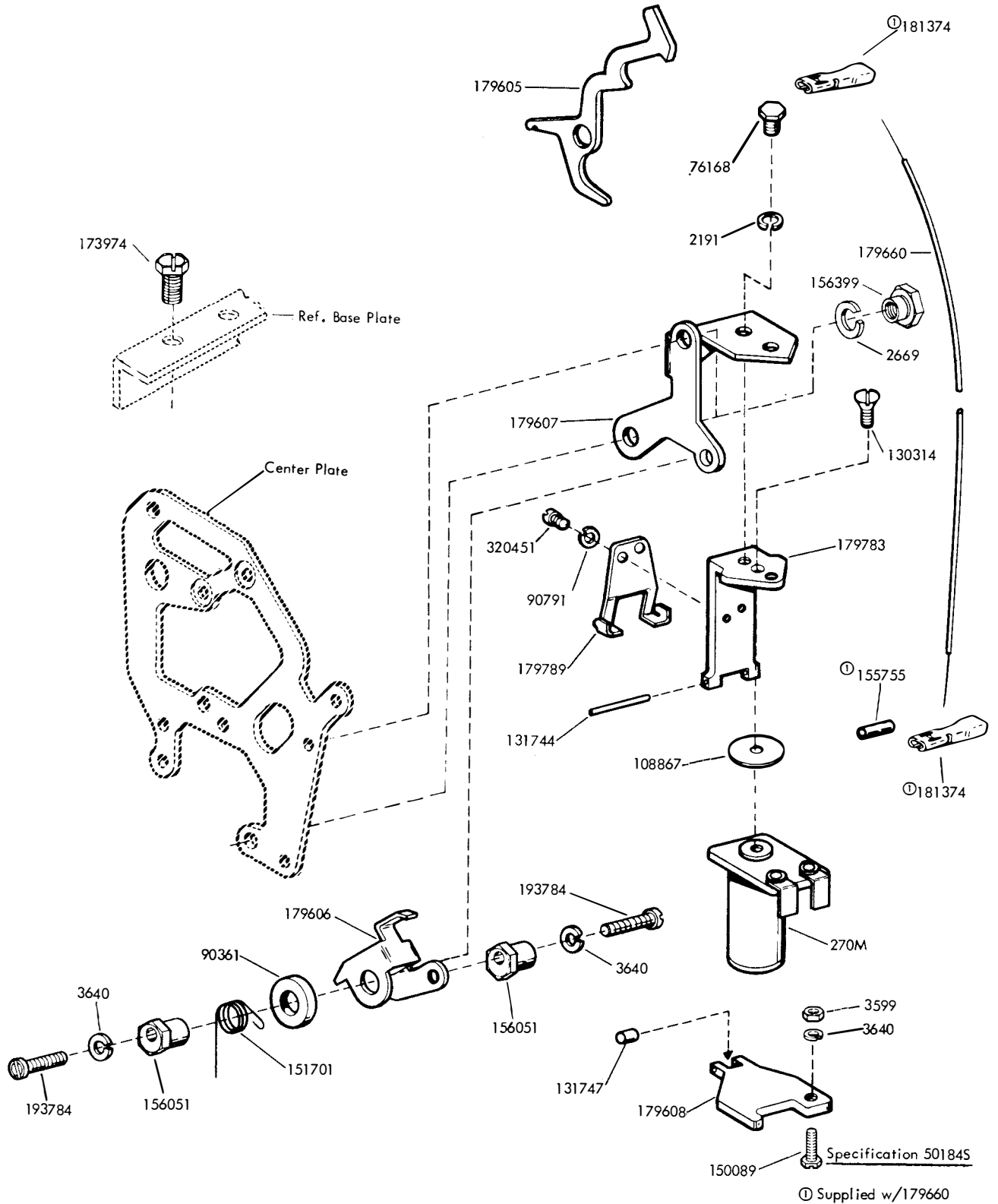


FIGURE 25. 179603 MODIFICATION KIT TO ADD TAPE WITHHOLD MECHANISM TO TRANSMITTER DISTRIBUTOR

NUMERICAL INDEX

Part Number	Description and Page Number	Part Number	Description and Page Number	Part Number	Description and Page Number
256M	Coil, Magnet 9	91904	Washer, Flat 3	144216	Connector, Red Insulated 22
262M	Coil, Magnet 9	93117	Washer, Lock 18,24	144227	Connector, Black Insulated 22
270M	Coil, Magnet 25	93118	Washer, Lock 4,6	145779	Post, Spring 7
1030	Screw, 6-40 Shoulder 2	93356	Washer, Felt 6,7	145798	Pawl 7
1095	Screw, 4-40 x 5/32 Hex 21	93587	Washer, Flat 3,8,19	146643	Block, Strap 19
1172	Screw, 2-56 x 5/16 Fil 24	93899	Spring 20,21	150013	Disk, Adjusting 14,15
1293	Screw, 4-40 x 1/8 Fil 10,11	93984	Washer, Lock 9	150026	Lever, Shoe Release 14
2191	Washer, Lock 2 to 11,13,19,20, 21,23,24,25	97266	Plate, Clamp 24	150027	Lever, Shoe Release 15
2438	Washer, Flat 9	101386	Spring 2	150029	Wick, Felt 14,15
2669	Washer, Lock 3,8,25	101714	Spring 7,20,21	150034	Disk, 2 Stop Clutch 15
2836	Spring 8	101998	Bushing, Shoulder 4	150043	Shoe, Secondary Clutch 14,15
3595	Nut, 1/4-32 Hex 14,15,24	102994	Washer, Flat 2	150044	Shoe, Primary Clutch 14,15
3598	Nut, 6-40 Hex 2,3,4,5,7,8,19, 21,23	104451	Washer, Lock 24	150089	Screw, 4-40 x 1/2 Fil 25
3599	Nut, 4-40 Hex 6 to 13,16,17, 18,19,20,25	104751	Spring 16,17,18	150241	Spring 14,15
3606	Nut, 6-40 Hex 2,7	104807	Washer, Flat 21	150830	Bushing, Shoulder 15
3636	Washer, Flat 14,15	108867	Shim, .002" Thk 25	150841	Bearing 15
3640	Washer, Lock 3,4,5,6,9,10,11, 12,13,15,20,21,23,24,25	110434	Screw, 4-40 x 3/16 Fil 14,15	151073	Screw, 4-40 x 5/32 Fil 3,7,9
3649	Washer, Flat 8	110435	Nut, 4-40 Hex 23	151103	Spring 2,5
5740	Screw, 2-56 x 1/4 Fil 18	110743	Washer, Lock 3,5 to 21,23,24	151152	Screw, 4-40 x 3/16 Hex 5,7,10, 11,12,13,16,17,18
7002	Washer, Flat 2,3,4,8,9,10,11, 13,19,20,21,23,24	111640	Screw, 2-56 x 7/32 Fil 6	151171	Toggle, Contact 10,11
7603	Spring 2,6	112626	Nut, 10-32 Hex 3,8	151180	Link, Toggle 10,11
8896	Shim, .004" Thk 5,23	112633	Spring, w/Wick 2	151182	Washer, Insulating 10,11,12,13
31636	Spring 3	114107	Spring 19	151395	Spring 8
33765	Washer, Flat 20,21	115141	Screw, 6-40 Shoulder 7	151398	Spring 5,23
41732	Plate, Clamp 8,23,24	115221	Washer, Felt 2,5	151414	Switch, Sensitive 22
41746	Bushing, Insulating 23	116959	Screw, 6-40 Eccentric Shoulder 21	151512	Seal, Noise 23
41814	Bushing, Insulating 24	118177	Resistor, 22,000 Ohm 23	151630	Screw, 6-40 x 1/4 Hex 3,4,5, 7,8,9,20,21
42823	Washer, Flat 14	119401	Washer, Flat 16,17,18	151631	Screw, 6-40 x 5/16 Hex 3,8,24
45024	Spring 7	119647	Ring, Retaining 5,7,16,17,18,23	151632	Screw, 6-40 x 3/8 Hex 2,4,6, 8,11
45027	Spring 20	119648	Ring, Retaining 3,6,16,18,20,21	151637	Screw, 4-40 x 1/4 Fil 5
45815	Washer, Lock 2	119649	Ring, Retaining 7,9,16,17,18,19	151685	Screw, 4-40 x 5/16 Fil 23
47024	Washer, Flat 19	119650	Ring, Retaining 7,20,21	151689	Screw, 4-40 x 3/4 Fil 23
70388	Spring 2	119651	Ring, Retaining 3,16	151692	Screw, 6-40 x 3/16 Fil 2,8
70878	Spring 16,17,18	119652	Ring, Retaining 2,5,7,8,16,18, 23	151701	Spring, Torsion 25
71073	Washer, Flat 18	121125	Washer, Spring 9	151715	Spring 16
73894	Screw, 6-40 Set 19	121242	Clamp, 1/8 ID Cable 22	151722	Screw, 6-40 x 3/16 Hex 2,3,4, 8,20
74728	Terminal, Contact 23	121243	Clamp, 3/16 ID Cable 22	151728	Spring 14
74987	Spring, Compression 19	121244	Clamp, 1/4 ID Cable 8,22	151730	Spring 16
76168	Screw, 6-40 x 3/16 Hex 25	121245	Clamp, 5/16 ID Cable 22	151732	Screw, 4-40 x 11/32 Fil 14
76275	Plate, Nut 4	121246	Clamp, 3/8 ID Cable 22	151733	Screw, 4-40 x 9/16 Fil 8,24
76295	Spring 4	121247	Clamp, 7/16 ID Cable 22	151736	Spring 15
76422	Spring 7	121248	Clamp, 1/2 ID Cable 22	151737	Screw, 4-40 x 11/64 Hex 3,14, 15,20,21
76461	Washer, Flat 4	121249	Clamp, 5/8 ID Cable 22	151820	Spring, Contact 10,11
78557	Spring 5,23	121250	Clamp, 3/4 ID Cable 22	151880	Nut, 4-40 Hex 5,10,11,12,13, 16,17,18,23
80334	Terminal, Contact 24	121251	Clamp, 1 ID Cable 22	152458	Shield, Terminal 9
80531	Washer, Flat 2	124177	Washer, Lock 2,7	152871	Spring 2,9
80581	Spring 21	125011	Washer, Flat 3,4,5,7,9,11,16,17, 18,19,20,21,23	152893	Screw, 4-40 x 1/4 Hex 4,5,6, 8,9,16,17,18,19,23,24
80945	Spring 5,23	125015	Washer, Flat 9	153360	Stud 20,21
81778	Screw, 4-40 x 3/16 Fil 9	125126	Screw, 2-56 x 9/32 Fil 10,11, 12,13	153537	Screw, 6-40 x 9/32 Hex 3
82547	Insulator, .094" Thk 8	125229	Nut, 6-32 Hex 3	153799	Screw, 4-40 x 21/64 Hex 5,23
82548	Insulator, .062" Thk 8,23,24	125253	Spring 21	153817	Screw, 4-40 x 3/8 Hex 10,11, 12,13
85318	Washer, Leather 8	125802	Washer, Flat 8	153819	Washer, Lock 3
86283	Spring 2	128357	Ring, Retaining 3,6,20,21	154040	Lever, Transfer 2,5
86304	Spring 10,11,12,13	130314	Screw, 6-40 x 21/64 Flat 25	154042	Terminal 10,11
86959	Bushing, Insulating 8	130499	Bearing, Ball 14,15	154043	Terminal 10,11
87401	Spring 9	130511	Screw, 4-40 x 11/64 Fil 19	154045	Screw, 6-40 Spl 10,11
87402	Spring 9	130667	Washer, Lock 14,15	154095	Eccentric, Contact Box 10,11,13
90361	Washer, Felt 25	130683	Washer, Lock 5,23	154130	Box, Contact 10,13
90573	Spring 2	131744	Pin 25		
90790	Washer, Flat 7	131747	Wick, Felt 25		
90791	Washer, Lock 10,11,12,13,25	138031	Bushing, Insulating 24		
91120	Spring 3	138033	Insulator, .031" Thk 24		
		138034	Plate, Clamp 4,6,24		

NUMERICAL INDEX (Continued)

Part Number	Description and Page Number	Part Number	Description and Page Number	Part Number	Description and Page Number
154131	Cover, Contact 10,13	156590	Latch 2	159570	Spring, Contact 23,24
154156	Grommet, Rubber 22	156591	Washer, Felt 7,8	159571	Stiffener 23,24
154166	Suppressor, Arc 10,13	156594	Lever, Trip 8	160016	Camshaft 14
154173	Plate 22	156595	Lever, Latch 8	160025	Bracket 5
154189	Insulator 10,13	156596	Bail 8	160067	Wheel, Feed 5
154194	Base 10,11	156597	Plate, Rear 8	160086	Post, Guide 5
154226	Box w/Strap 10	156598	Post 3,8	160087	Post, Spring 7
154335	Screw, 6-40 x 9/32 Fil 23	156599	Plate 8	160088	Bail w/Stud 7
154349	Spring 2	156602	Plate 3	160089	Post, Stop 5
154694	Disk, Clutch Cam 14	156608	Plate, Cover 19	160090	Lever, Transfer 5
154697	Grommet, Rubber 22	156609	Plate, Spring 19	160091	Reservoir Assembly 8
155494	Spring 2,5	156618	Post 2,5	160092	Stiffener 8
155750	Sleeve, 3/32 ID x 1/2" Lg Insulating 4,5,22,23,24	156621	Guide, Transfer Lever 2	160093	Wick, Leather 8
155751	Sleeve, 1/8 ID x 1" Lg Insulating 22	156622	Post 7	160094	Contact Assembly Auxiliary 5,23
155752	Sleeve, 5/64 ID x 1/2" Lg Insulating 22,24	156623	Washer, Flat 3	160095	Bracket 5,23
155753	Sleeve, 1/8 ID x 1/2" Lg Insulating 22	156624	Post 2	160096	Bracket w/Bushing 5
155754	Sleeve, 1/16 ID x 1/2" Lg Insulating 4,5,22,23,24	156625	Bracket 2	160097	Contact Assembly 5
155755	Sleeve, 11/64 ID x 5/8" Lg Insulating 22,25	156631	Washer, Felt 2,5	160398	Spring, Contact 8
156051	Bushing, Eccentric 25	156632	Screw, 6-40 x 13/32 Hex 9	160399	Spring, Contact 8
156399	Nut, 6-40 Shoulder 25	156633	Washer, Felt 8	160593	Terminal 8,23
156450	Screw, 2-56 x 1/2 Fil 4,6	156636	Wheel, Feed 2	160596	Spring 4
156501	Screw, 6-40 x 7/32 Fil 3	156638	Guide, Transfer Lever 2,5,23	160597	Plate 8
156509	Washer, Flat 3	156639	Post 2,20	160598	Stiffener 8
156510	Post 3	156640	Post 2,5,23	160599	Wick, Leather 8
156511	Bail 3	156641	Pin, Sensing 2,5	160600	Reservoir, Oil 8
156514	Plate w/Studs 3	156643	Bracket 10,11,12,13	160601	Guard 8
156515	Washer, Felt 3	156644	Link, Drive 10,11,13	160602	Arm 7
156516	Latch 3	156647	Lever, Start-Stop 16,17,18	160604	Post 7,20,21
156518	Post 2,4,20	156648	Box Assembly, Contact 1,10	160605	Arm 7
156519	Washer, Felt 2	156649	Plate, Front 2	160606	Arm w/Spring Post 7
156520	Arm 2	156662	Plate 9	160607	Bail 7
156521	Screw, 6-40 Eccentric Shoulder 2	156663	Bushing, Insulating 10,11,13	160608	Bracket, Contact 8
156522	Pawl 2	156668	Screw, 6-40 Spl 7	160613	Arm w/Hub 7,21
156523	Stud, Eccentric 2	156673	Bail w/Stud 16,17,18	160615	Reservoir Assembly 8
156524	Bail 2	156677	Plate, Insulator 9,23	160616	Plate 7,20
156531	Bracket, w/Post 9,23	156747	Screw, 6-40 x 19/64 Hex 10,13	160621	Bracket 9
156532	Core 9	156773	Modification Kit 7	160622	Guide 9
156533	Screw, 4-40 Eccentric 9	156777	Jumper, 2" Black 7	160623	Shield 9
156534	Bail 9	156778	Rod 19	160625	Clip w/Wick 3
156537	Armature 9	156779	Plunger 19	160626	Insulator, .031" Thk 4,6
156539	Washer, Felt 9	156780	Bracket, Detent 19	160627	Bushing, Insulating 4,6
156549	Lid, Tape 16,18	156782	Nut, 6-40 Spl 3,8	160628	Spring, Contact 4,6
156551	Guide, Right 16,18	156811	Guide, Left 16,18	160629	Bracket, Contact 4
156553	Post, Eccentric 16	156817	Shaft 9	160630	Spring, Contact 4,6
156554	Bail 16	156831	Clamp 3	160631	Spring, Contact 4,6
156555	Plunger, Tape Lid 16,18	156832	Plate 3	160632	Contact Assembly 4
156556	Bracket 16,17,18,19	156833	Drum Assembly Clutch 14,15	160634	Post 7
156557	Plate, Tape Guide 16	156836	Camshaft 14	160635	Bail 7
156558	Washer, Felt 16,18	156844	Gear, 40T 14,15	160638	Bracket, Spring 4
156559	Post 16	156880	Jumper, 2-3/8" Black 9	160639	Contact Assembly 8
156560	Bail 16,18	156881	Jumper, 1-1/2" Black 9	160640	Pin, Tape Out Sensing 2,16
156561	Shaft 16,18	157240	Spring 6	160647	Lid, Tape 16,19
156567	Plate, Top 19	158182	Disk, Clutch Cam 15	161100	Spring, Contact 23
156574	Post, Spring 7	158186	Screw, 4-40 x 7/32 Fil 17	161102	Spring, Contact 23,24
156575	Screw, 6-40 Eccentric Shoulder 7	158258	Connector, 20 Pt Plug 22	161117	Spring 7
156576	Washer, Felt 8	158625	Bracket w/Stud 16	161291	Bushing 16,18
156577	Roller, Detent Lever 7	158626	Bracket w/Studs 16	161439	Wick, Felt 8
156578	Bail w/Stud 7	158757	Hinge, Mounting 9	161440	Spring 16,17,18
156581	Stud 8	158923	Bearing, Sleeve 15	161591	Cable Assembly 3
156588	Ring, Retaining 8	158926	Screw, 4-40 x 7/32 Hex 15	161592	Plate w/Studs 3
156589	Post, Spring 8	159291	Bail 3	161594	Connector, 36 Pt Plug 22
		159292	Bail 3	162249	Screw, 6-32 Insulating 3
		159293	Arm, Extension 3,20,21	162462	Modification Kit 3
		159295	Bracket w/Posts 3	162490	Modification Kit 1,23
		159297	Arm, Stop 3	162491	Cable 23
		159298	Spring, Torsion 3	162493	Bail 5,23
		159312	Wick, Leather 3	162498	Screw, 4-40 Eccentric 5,23

NUMERICAL INDEX (Continued)

Part Number	Description and Page Number	Part Number	Description and Page Number	Part Number	Description and Page Number
162499	Nut, 4-40 Shoulder 5,23	174211	Modification Kit 1,24	179749	Connector, 5 Pt Receptacle 22
162500	Arm, Sensing 5,23	174212	Bracket 24	179783	Yoke 25
162501	Post, Spring 5,23	174213	Contact Assembly, Magnet Release 24	179789	Retainer, Armature Pin 25
162502	Post, Stop 23			179884	Plate, Front 6,20
162503	Shaft, Spring 5,23	174214	Cam 24	181374	Terminal, Tab Type 25
162504	Contact Assembly, Auxiliary 23	174215	Cable 24	192013	Connector, 50 Pt Plug Type 22
162505	Bracket, Contact 23	174263	Pin, Tape Editing 2	192236	Gear, 60T 14
162506	Bracket w/Bushing 23	174265	Contact Assembly 4	192237	Plate, Cover 19
162573	Retainer 15	174266	Bracket, Contact 4	192591	Plate w/Studs 3
162891	Cover, Contact Box 10	174267	Plate w/Studs 19	192600	Box Assembly, Contact 1,13
162997	Box Assembly, Contact 1,10	174272	Bracket, Contact 4	193784	Screw, Contact 25
163445	Insulator, Strip 10,11	174273	Arm, Extension 4	193852	Spring 14
163536	Spacer, .562" Thk 10	174275	Feedwheel 6	194034	Modification Kit 5
163665	Modification Kit 16	174276	Roller 6	194048	Screw, 4-40 Spl 12
163666	Guide, Right 16	174277	Lever w/Stud 6	194106	Bracket, Spring 20
163991	Shaft 18	174279	Ratchet w/Shaft 6	194204	Guide, Tape 16,17
163992	Arm, Extension 3	174281	Bracket w/Bushing 6	194341	Cable Assembly 5,23
163995	Plate 18	174283	Contact Assembly, Tape Motion 6	194344	Contact Assembly 23
163996	Contact Assembly 5	174284	Plate, Tape Guide 17,20	194354	Gear, 45T 14
163997	Bail 18	174286	Bail w/Spacer 4	194357	Camshaft 14
163998	Bail 7	174287	Pin, Tape Out 4	194502	Camshaft 14
163999	Plate, Tape Guide 18	174288	Shaft 17	194503	Plate, Center 7
164000	Pin, Tape Out 5	174290	Guide w/Bail, Tape 17	194505	Follower, Cam 7
164285	Camshaft 14	174292	Guide, Left 17	194506	Bracket, Cam Follower Guide 7
164467	Post, Eccentric 16,17,18	174293	Bail 17	194544	Bracket, Contact Assembly 23
164468	Bail 16,17,18	174294	Spring, Torsion 17	194545	Contact Assembly, Auxiliary 23
164469	Post 16,17,18	174295	Contact Assembly, Tape Out 4	194546	Insulator 23
164470	Bracket w/Stud 16,17,18	174303	Sleeve 4	194578	Camshaft 14
164471	Bracket w/Studs 16,17,18	174304	Spring, Contact 4	194901	Screw, 4-40 Spl 12
164472	Modification Kit 17	174305	Spring, Torsion 4	194982	Clip, Connector 22
165027	Network, Spark Suppression 9	174309	Modification Kit 19	195186	Screw, 4-40 x 7/8 Hex 10,13
170276	Plate, Cover 19	174342	Lid, Tape 17	195187	Screw, 4-40 x 1-1/2 Hex 10,12
170277	Lid, Tape 18	174349	Plate 16,17,19	195651	Box, Contact 12
170282	Nut, 6-40 Hex 2	174411	Insulator 11	195652	Cover, Contact Box 12
171671	Connector, Blue Insulated 22	174412	Spacer, .531" Thk 11	195923	Filter, RF 10
171672	Connector, Red Insulated 22	174413	Terminal 11	197920	Box Assembly, Contact 1,13
171952	Connector, Green Shielding 22	174414	Bushing 11	197966	Plate w/Stud 16
171972	Connector, Green Insulated 22	174415	Cover, Contact Box 11	197967	Plate w/Stud 19
172764	Guide, Left 16	174416	Box, Contact 11	197994	Modification Kit 16
172881	Reservoir Assembly, Oil 8	174420	Box Assembly, Contact 1,11	198605	Connector, 4 Pt Plug 22
172885	Arm, Cam Follower 2	174421	Filter, R. F. 11	198607	Connector, 4 Pt Receptacle 22
172887	Bail 9	174491	Modification Kit 10	198610	Box Assembly, Contact 1,12
172889	Shaft, Main 15,24	176389	Label, Free-Stop 19	198672	Modification Kit 16
172890	Camsleeve 15	176390	Label, Run 19	198673	Guide, Right 16
172899	Post, Guide 5,23	176603	Bracket w/Stud 19	199110	Guide, Right 16
172900	Post, Stop 5	176605	Lever, Sensing 19	199111	Lever, Tight Tape 16
172118	Cable 5	176606	Lever, Switch Actuating 19	199112	Bail 16
172171	Plate w/Stud 3	176607	Plate w/Studs 16,19	199126	Lever, Tape Advance 2
173173	Disk 15	176608	Plate w/Studs 19	199129	Pawl, Feed 2
173208	Wick, Leather 8	176609	Spring, Contact 4	199130	Plate 3
173349	Camshaft 14	177048	Latch 5,23	199131	Plate, Clamp 3
173350	Guide, Tape 16	177060	Pin w/Sleeve, Sensing 2,16,19	199133	Post, Spring 8
173351	Finger w/Posts 5	178499	Contact Assembly 4	199134	Plate w/Stud 19
173359	Guide 5	178535	Suppressor, Spark 9	199138	Link, Drive 14
173424	Bail, Sensing 7	179163	Stiffener 6	199140	Link, Driven 14
173974	Screw, 10-32 x 5/16 Hex 25	179167	Screw, 4-40 Eccentric Shoulder 6	199143	Spacer, .316" Thk 14
174010	Plate 2,5,23	179189	Screw, 6-40 Eccentric Shoulder 2	199146	Bracket w/Bushing 6
174087	Modification Kit 7	179262	Bracket, Spring 4	199147	Plate, Nut 6
174089	Insulator, .015" Thk 24	179603	Modification Kit 1,25	199148	Clamp 6
174188	Contact Assembly 24	179605	Pawl 25	199149	Bracket 6
174189	Bracket, Contact 24	179606	Bail, Blocking 25	199151	Lever 6
174190	Follower 24	179607	Bracket, Magnet 25	199153	Shaft 17
174191	Spring, Contact 24	179608	Armature 25	199154	Plate 17
174192	Spring, Contact 24	179639	Contact Assembly 12,13	199159	Camshaft 14
174193	Cable w/Terminals 24	179643	Network, Filter 12	199160	Camshaft 14
174194	Cable w/Terminals 24	179660	Cable w/Terminals 25	199163	Bracket 3
174195	Modification Kit 1,24	179748	Connector, 5 Pt Plug 22	199175	Bracket 6

NUMERICAL INDEX (Continued)

Part Number	Description and Page Number	Part Number	Description and Page Number	Part Number	Description and Page Number
199190	Screw, 4-40 Shoulder 2	305767	Arm 21	320410	Terminal, Spade Type 7,24
199193	Bushing, Insulating 12,13	305997	Lever, Trip 20,21	320416	Terminal, Ring Type 22
199196	Link 12	305998	Post 20,21	320418	Terminal, Ring Type 22
199229	Modification Kit 16	306001	Pin, Tape Out 21	320424	Bail 2
199482	Camshaft 14	306004	Lever, Reset 21	320451	Screw, 2-56 x 1/8 Fil 25
199505	Box Assembly, Contact 1,12	306006	Link, Reset 21	321143	Link 13
199507	Guide, Left 16	306007	Bracket, Spring 20,21	323767	Arm 20
199728	Cover 23	306009	Bracket 21	323768	Spring 20
301685	Guide, Tape 18	306010	Bail, Depressor 20,21	323769	Bracket 20
301686	Nut, 2-56 Shoulder 18	306011	Sleeve, Stop 20,21	323770	Latch 20
301693	Plate 18	306013	Bail, Reset 20,21	323771	Arm 20
301702	Plate w/Studs 18	306015	Bracket, Spring 20,21	323772	Link, Reset 20
304665	Modification Kit 5	306016	Latch 21	323773	Lever, Reset 20
304762	Latch 2	306017	Bail, Adjusting 20,21	323774	Screw, 4-40 x 3/8 Shoulder 20
304763	Plate, Wear 2	307283	Anchor, Spring 20,21	323775	Lid, Tape 17,20
304764	Post 8	311271	Stud 2	325986	Spring 7
304765	Post, Eccentric 2	311453	Roller 6	327119	Screw, 4-40 x 1/2 Hex 11
304766	Bail, Operating 8	311538	Camshaft 14	327258	Sleeve, 5/64 ID x 1/4" Lg
304767	Bail, Trip 2	315548	Box, Contact 13		Insulating 22
305008	Box Assembly, Contact 1,13	315760	Box Assembly, Contact 13	327445	Finger 5
305087	Post 23	317385	Pin, Tape Out 20	327476	Guide 5
				328175	Nut, 3-48 Hex 3

