

28 TYPING REPERFORATOR BASE
(RECEIVE ONLY AND KEYBOARD SEND AND RECEIVE)
WIRING DIAGRAM

1. GENERAL

- 1.01 This section shows the wiring of the 28A, 28B, 28C, 28D, and 28E typing reperforator bases.
- 1.02 Also included in this section is the wiring of the 28A and 28B typing reperforator units.

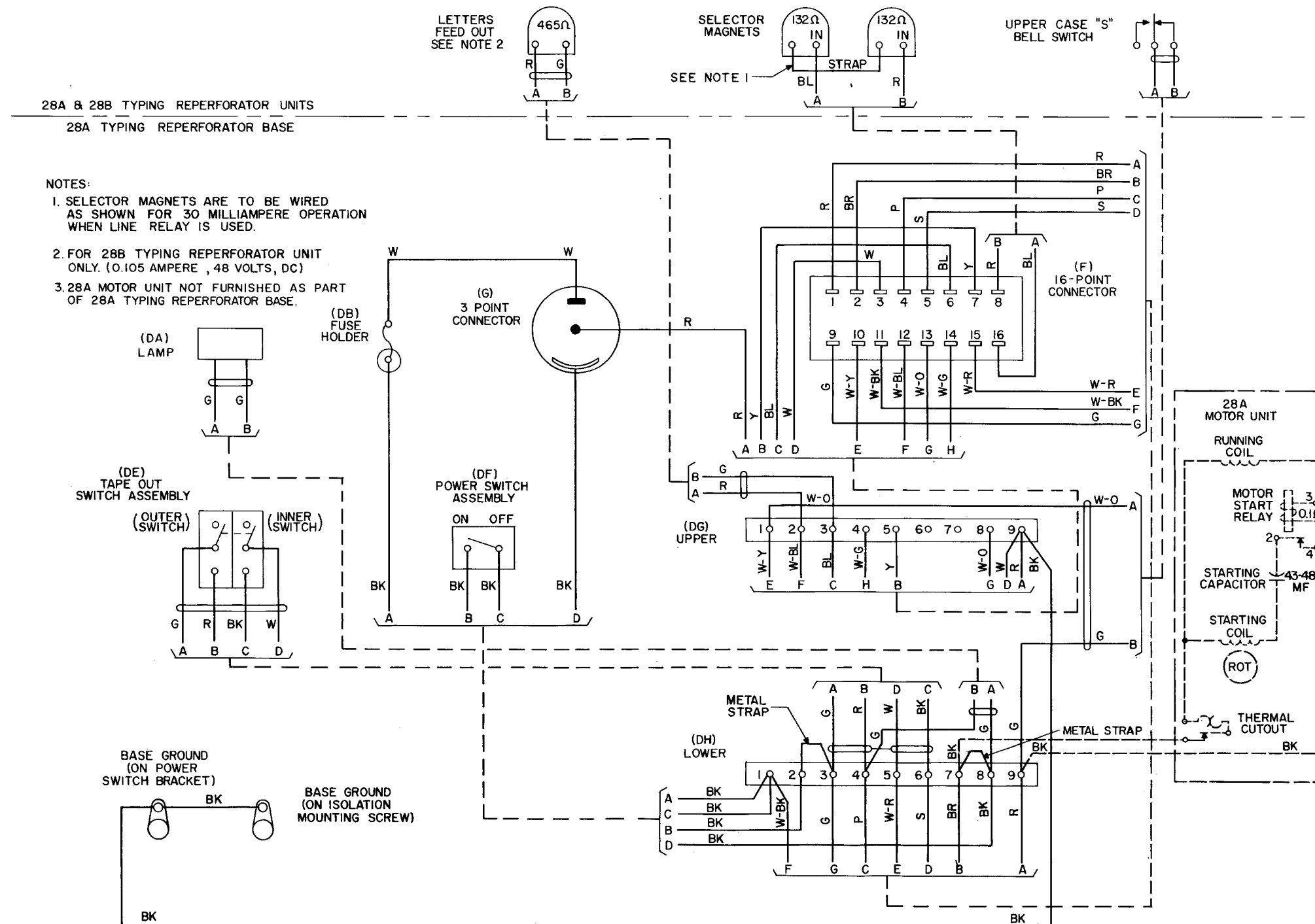


Figure 1 - 28A and 28B Typing Reperforator Units, 28A Typing Reperforator Base

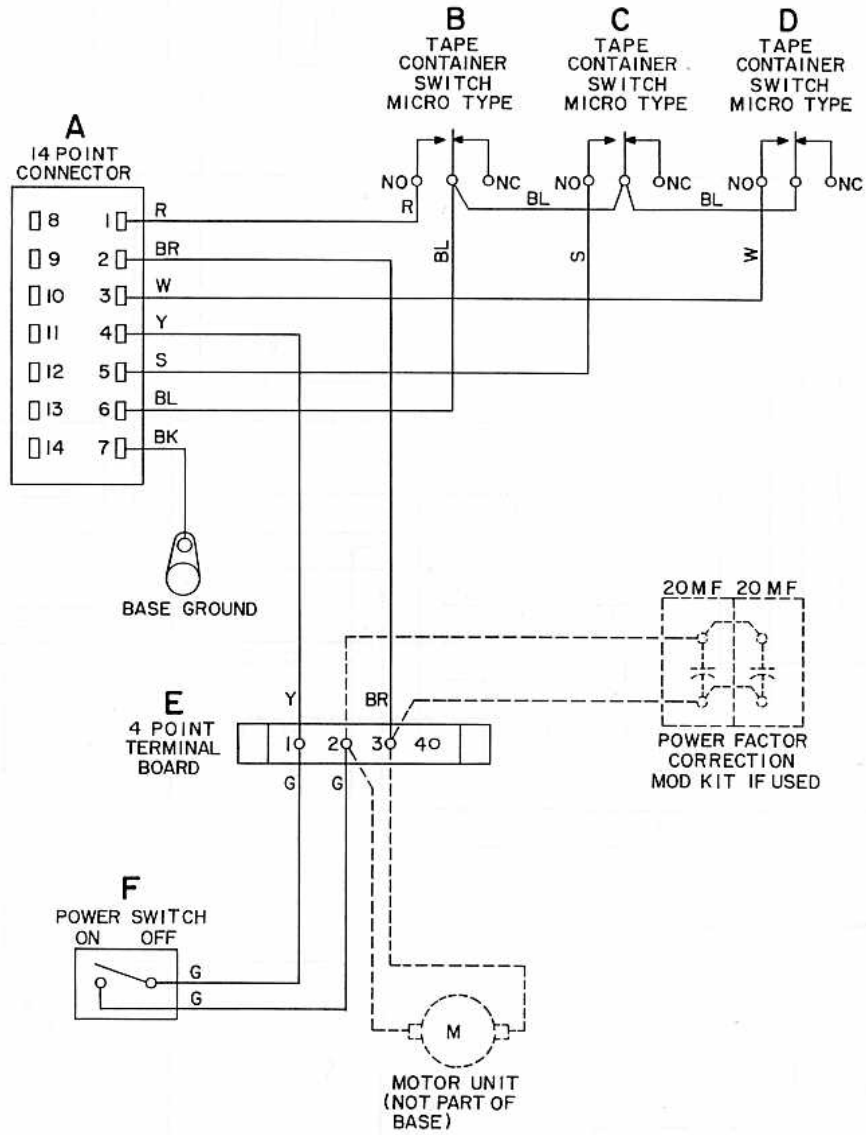


Figure 2 - 28B Typing Reperforator Base

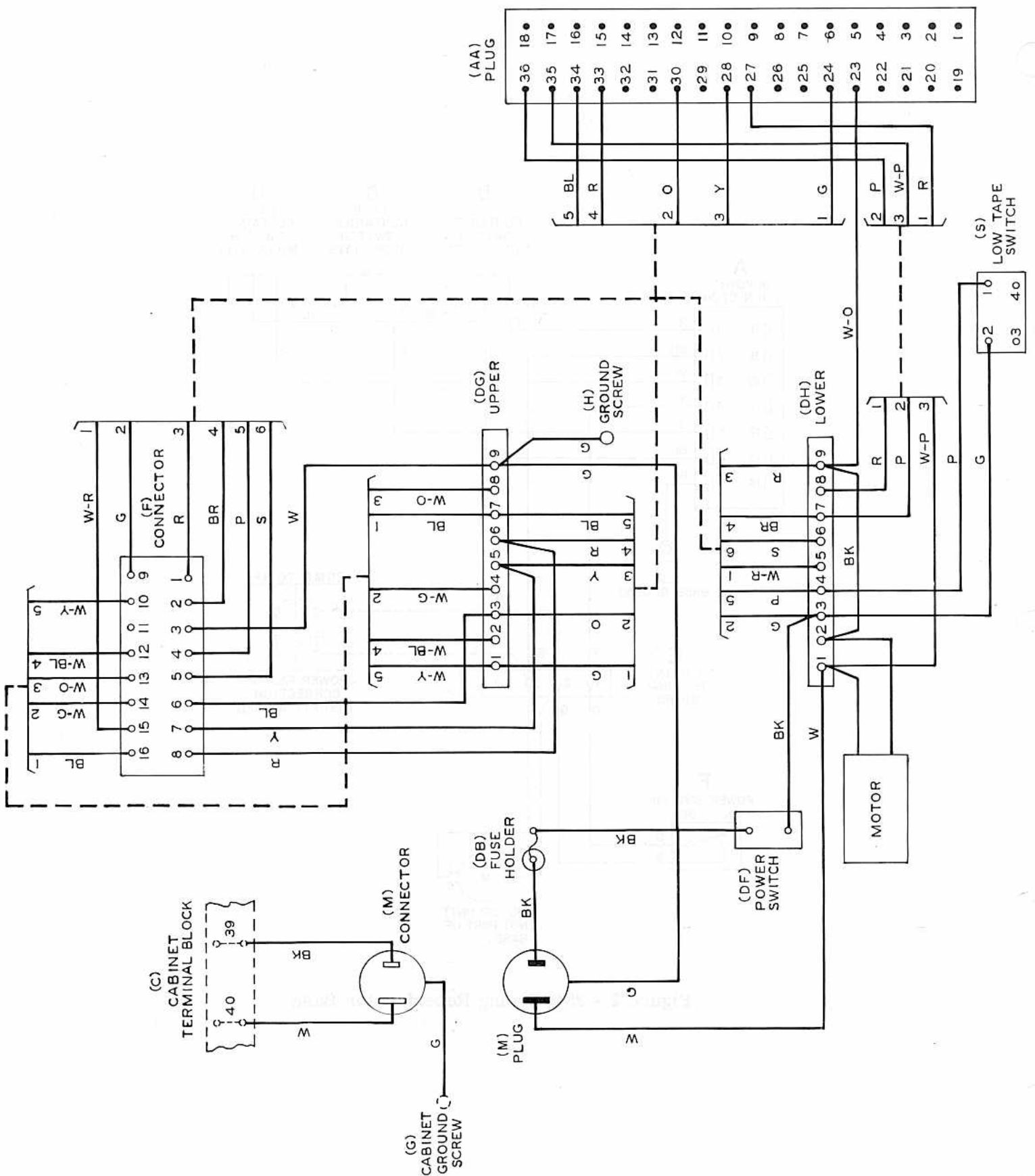


Figure 3 - 28C Typing Reperforator Base

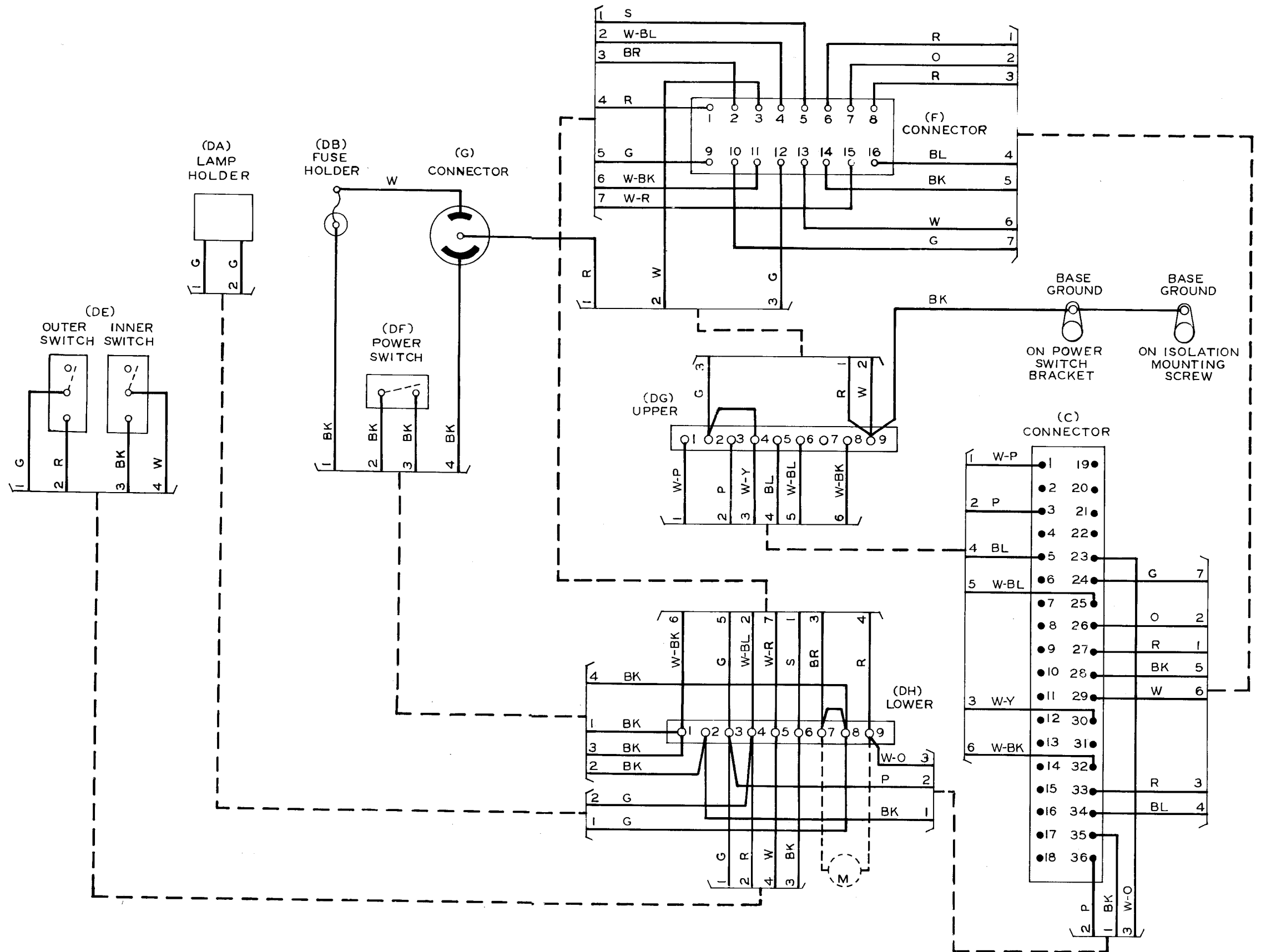
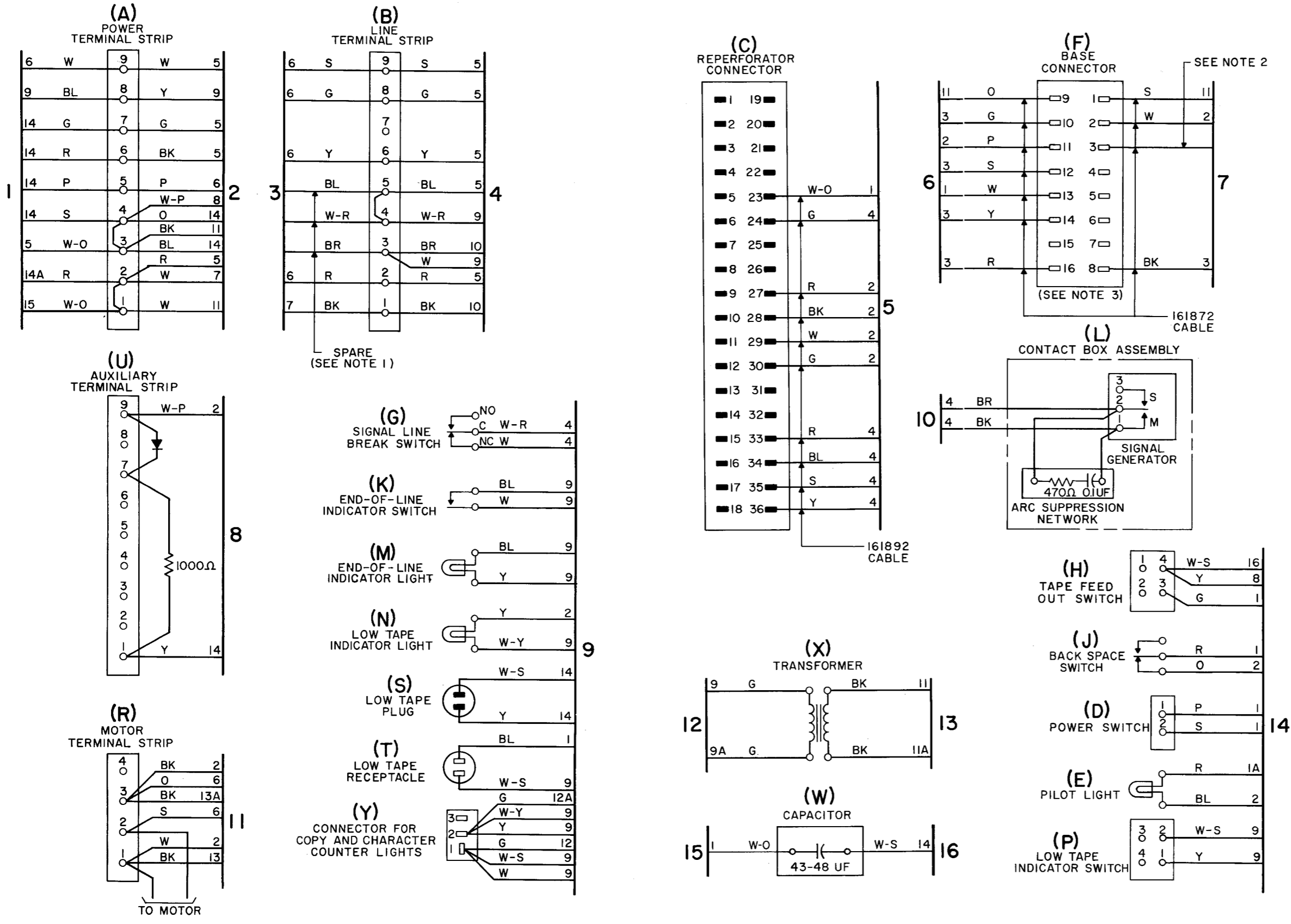


Figure 4 - 28D Typing Reperforator Base



- NOTES:
1. THESE SPARES ARE PART OF THE 161878 CABLE AND ARE TIED BACK AT THE F CONNECTOR.
 2. TERMINAL 3 TO BE CONNECTED TO A GROUND SCREW ON BASE.
 3. UNITS INCLUDE MATING 16-PT CONNECTOR (159541) FOR CUSTOMERS USE, AS SHOWN BELOW.

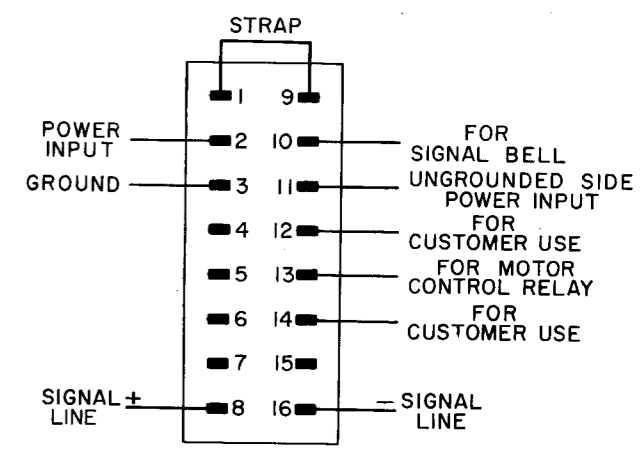


Figure 5 - 28E Typing Reperforator Base