

BULLETIN 1188B

**MODEL 35
TAPE PRINTER (LTP)
AND
TYPING REPERFORATOR (LPR)
PARTS**



TELETYPE[®]

CORPORATION

5555 TOUHY AVENUE, SKOKIE, ILLINOIS



TABLE OF CONTENTS

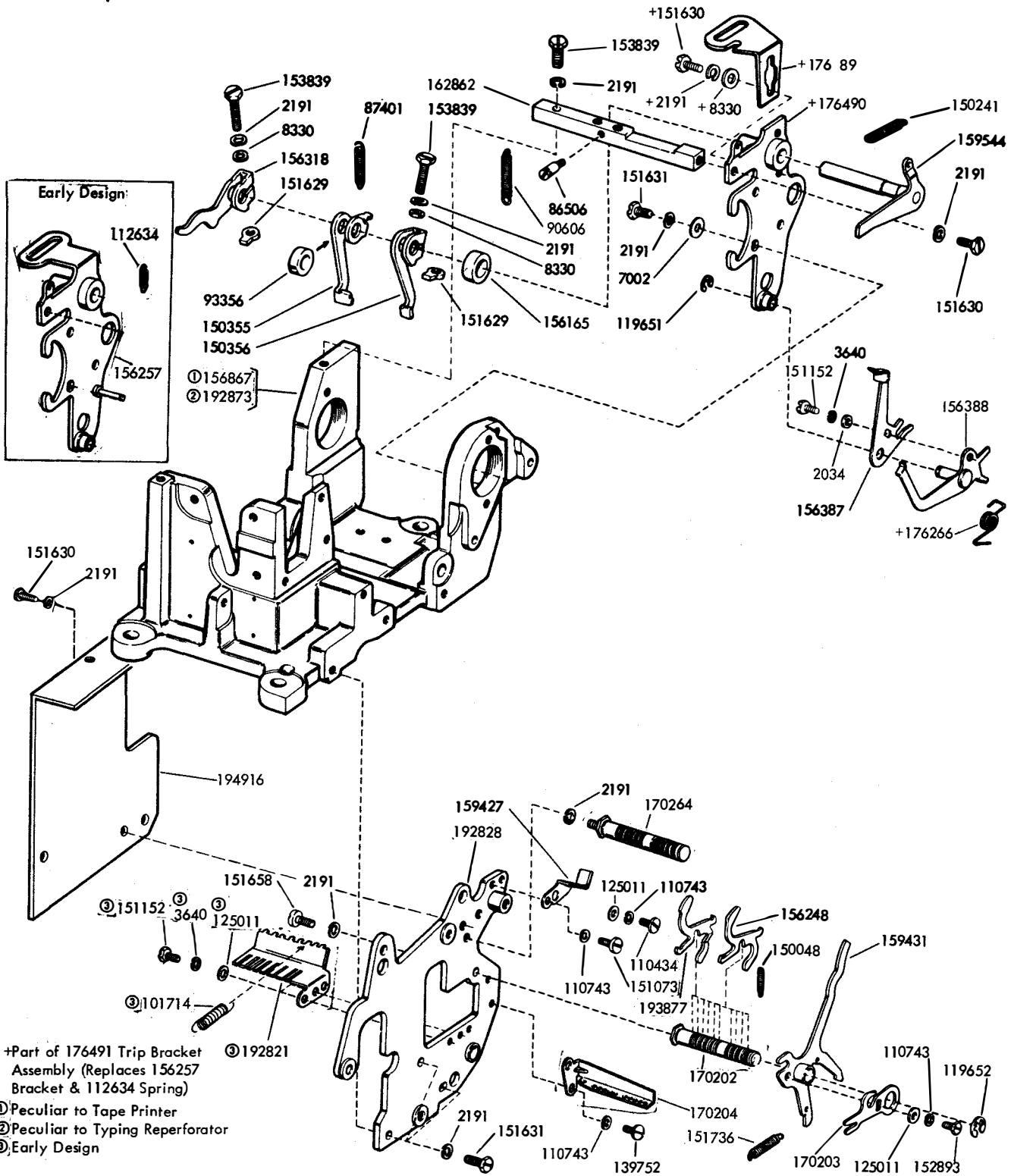
SECTION	TITLE	ISSUE	DATE
574-226-802TC	35 Electrical Service Unit (LESU)	2	September 1968
574-230-800TC	35 R-O Reperforator Cover (LRC) and 35 S-R Tape Printer Cover (LSRC)	3	November 1970
574-232-800TC	35 Tape Printer Keyboard (LTPK)	2	February 1968
574-232-801TC	35 Typing Reperforator Base (LRB)	1	February 1968
574-233-800TC	35 Typing Reperforator (LPR) and 35 Tape Printer (LTP)	*4	April 1971
574-234-800TC	35 Reperforator Table (LT)	2	February 1968

NOTE:
For Motors refer to Bulletin 295B
*Indicates revised section



35 TYPING REPERFORATOR (LPR)
and
35 TAPE PRINTER (LTP)
PARTS

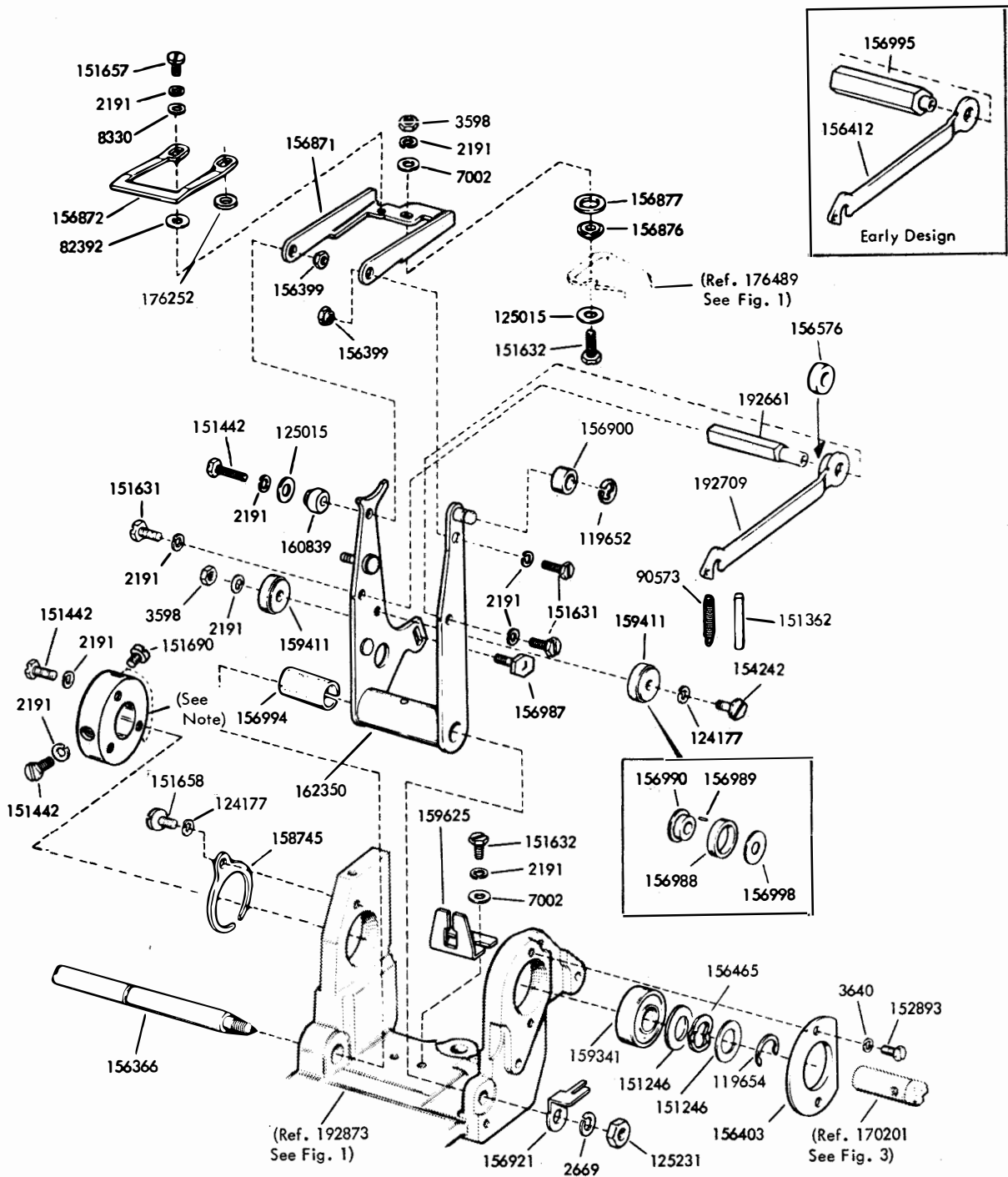
FIGURE	CONTENTS	PAGE	FIGURE	CONTENTS	PAGE
1	Frame Mechanism	2	26	193749 (Remote Control Letters) and 309697 (Automatic) Modification Kits to add Non-Interfering Tape Feed-Out (Continued)	25
2	Frame Mechanism (Continued)	3	27	195004 Modification Kit to Provide Feed-Out Contact for Non-Interfering Letters Tape Feed-Out	26
3	Selector and Function Clutches	4	28	195620 Modification Kit to Provide Backspace Mechanism for fully perforated Tape and Printing Between Feed Holes	27
4	Rear Plate Mechanism	5	29	178918 Modification Kit to Provide Guard for Backspace Mechanism	27
5	Front Plate Mechanism	6	30	195621 Modification Kit to add Power Drive to Backspace Mechanism	28
6	Punch Bail Mechanism	7	31	Multiple Mounted Function Blade Operated Contacts	29
7	Rotary Positioning Mechanism	8	32	Two-Shaft Frame Mechanism	30
8	Rotary Positioning Mechanism (Continued)	9	33	174439 Modification Kit to add Timing Contacts to Selector	31
9	Print Suppression Mechanism	10	34	174650 Modification Kit to add Timing Contacts	32
10	Axial Positioning Mechanism	11	35	321054 Tape Absent Contact Bracket Assembly	32
11	Axial Positioning Mechanism (Continued)	12	36	194006 Modification Kit to provide Code Reading Contact	33
12	Function Box Mechanism	13	37	309194 (Manual Interfering Letters Tape Feed-Out) and 321055 (Manual Interfering Rubout Feed-Out Modification Kits)	33
13	Ranger Finder Mechanism	14	38	Slack Tape Mechanism	34
14	Selecting Mechanism	15	39	311500 Modification Kit to provide Blank-Delete	35
15	Selecting Magnet Mechanism	16	40	311500 Modification Kit to provide Blank-Delete (Continued)	36
16	Transfer Mechanism	17	41	Typewheels	37
17	178495 Ribbon Feed Mechanism	18		Numerical Index	38
18	Typing Mechanism	19			
19	Chad Chute Disposal	20			
20	161340 Modification Kit to provide Manual interfering Letters Tape Feed-Out	20			
21	Punch Block and Chad Chute	21			
22	194236 Modification Kit to Provide Print Suppression	21			
23	193749 Modification Kit to Provide Remote Control Non-Interfering Letters Tape Feed-Out	22			
24	309697 Modification Kit to add Automatic Non-Interfering Letters Tape Feed-Out	23			
25	193749 (Remote Control Letters) and 309697 (Automatic) Modification Kits to add Non-Interfering Tape Feed-Out	24			



+Part of 176491 Trip Bracket Assembly (Replaces 156257 Bracket & 112634 Spring)

① Peculiar to Tape Printer
 ② Peculiar to Typing Reperforator
 ③ Early Design

FIGURE 1. FRAME MECHANISM



Note:
 The 162248 is .531" Wide.
 The 323665 is .425" Wide.

FIGURE 2. FRAME MECHANISM (Continued)

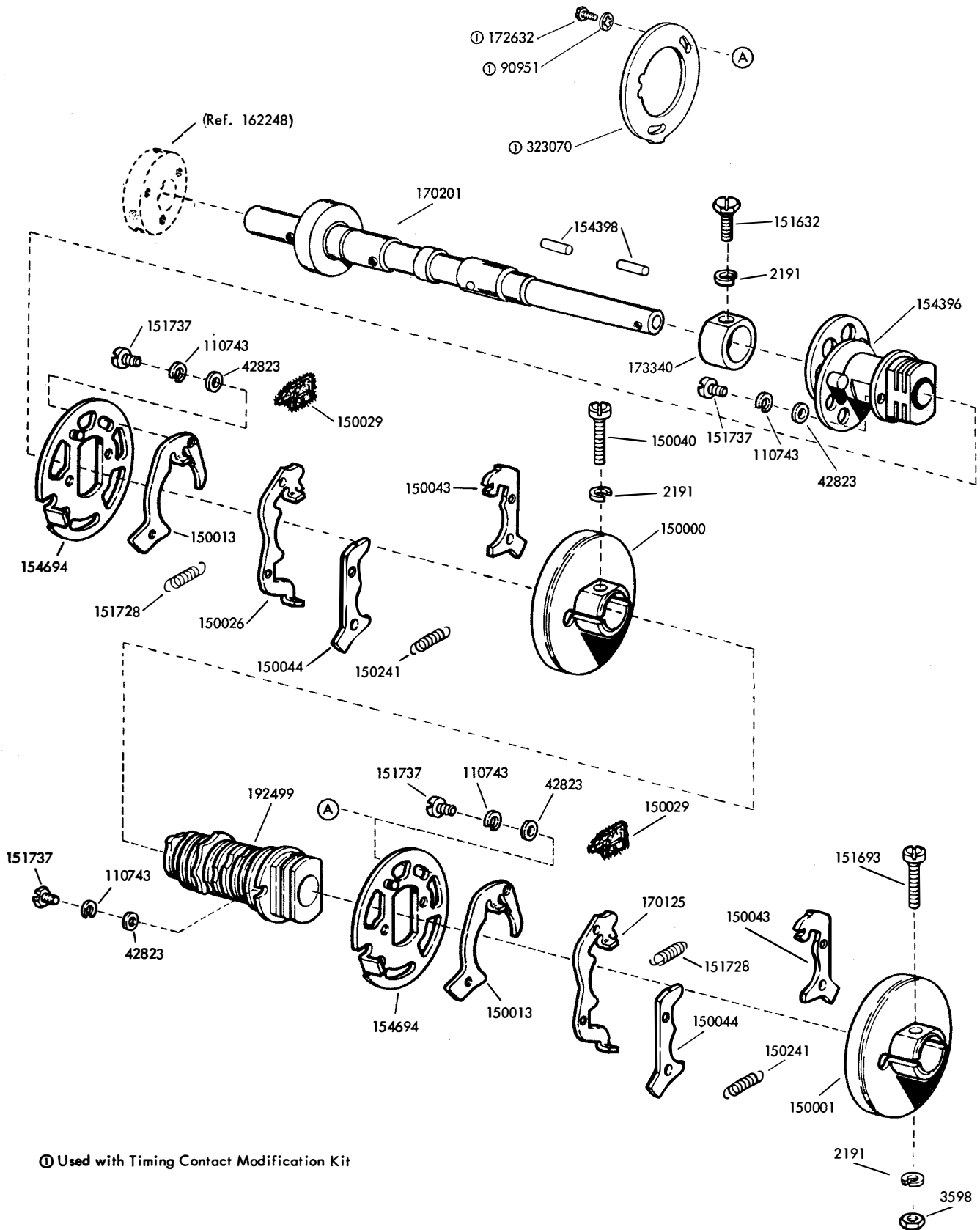
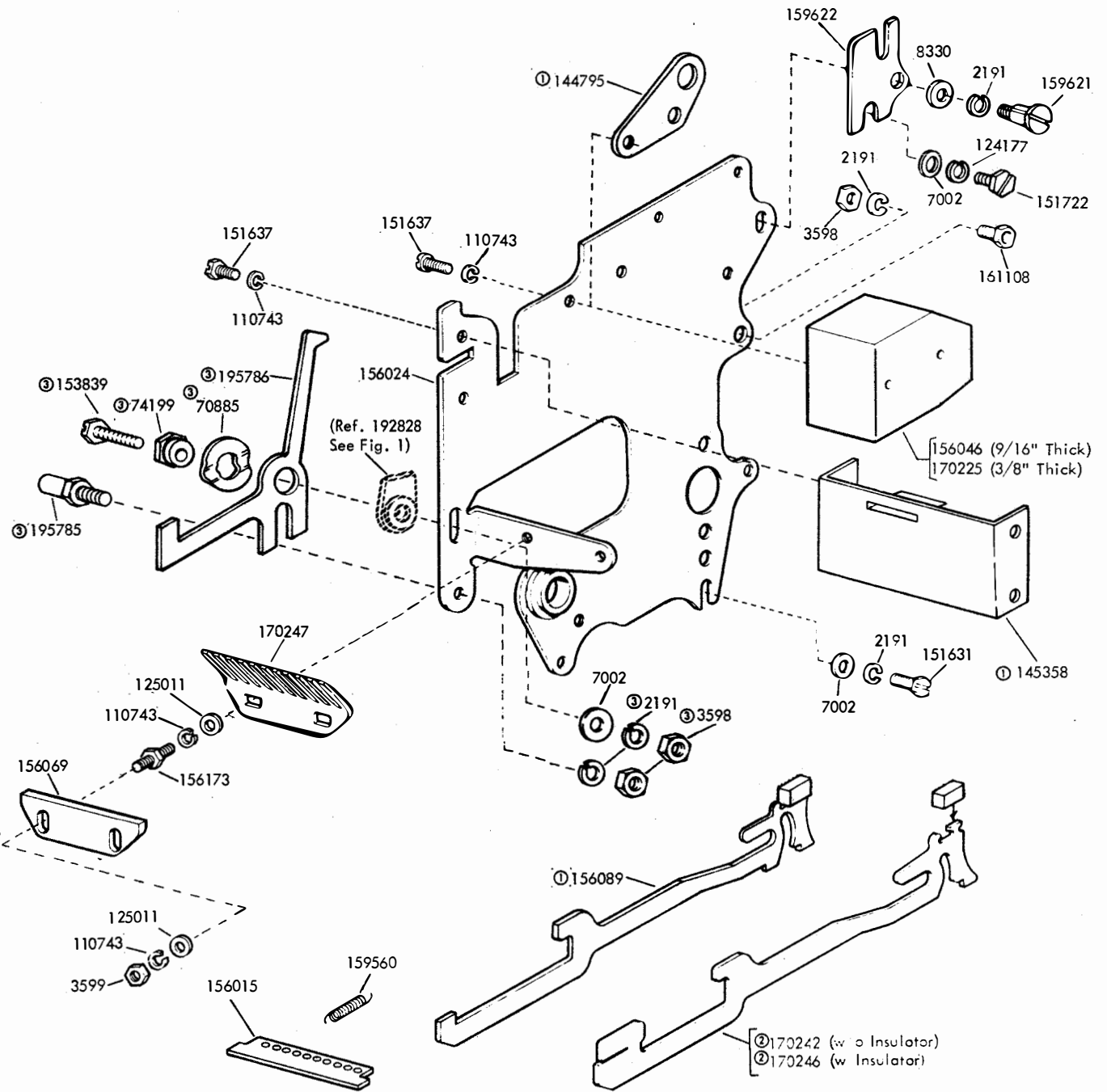


FIGURE 3. SELECTOR AND FUNCTION CLUTCHES



- ① Peculiar to Tape Printer
- ② Peculiar to Typing Reperforator
- ③ Early Design

FIGURE 4. REAR PLATE MECHANISM

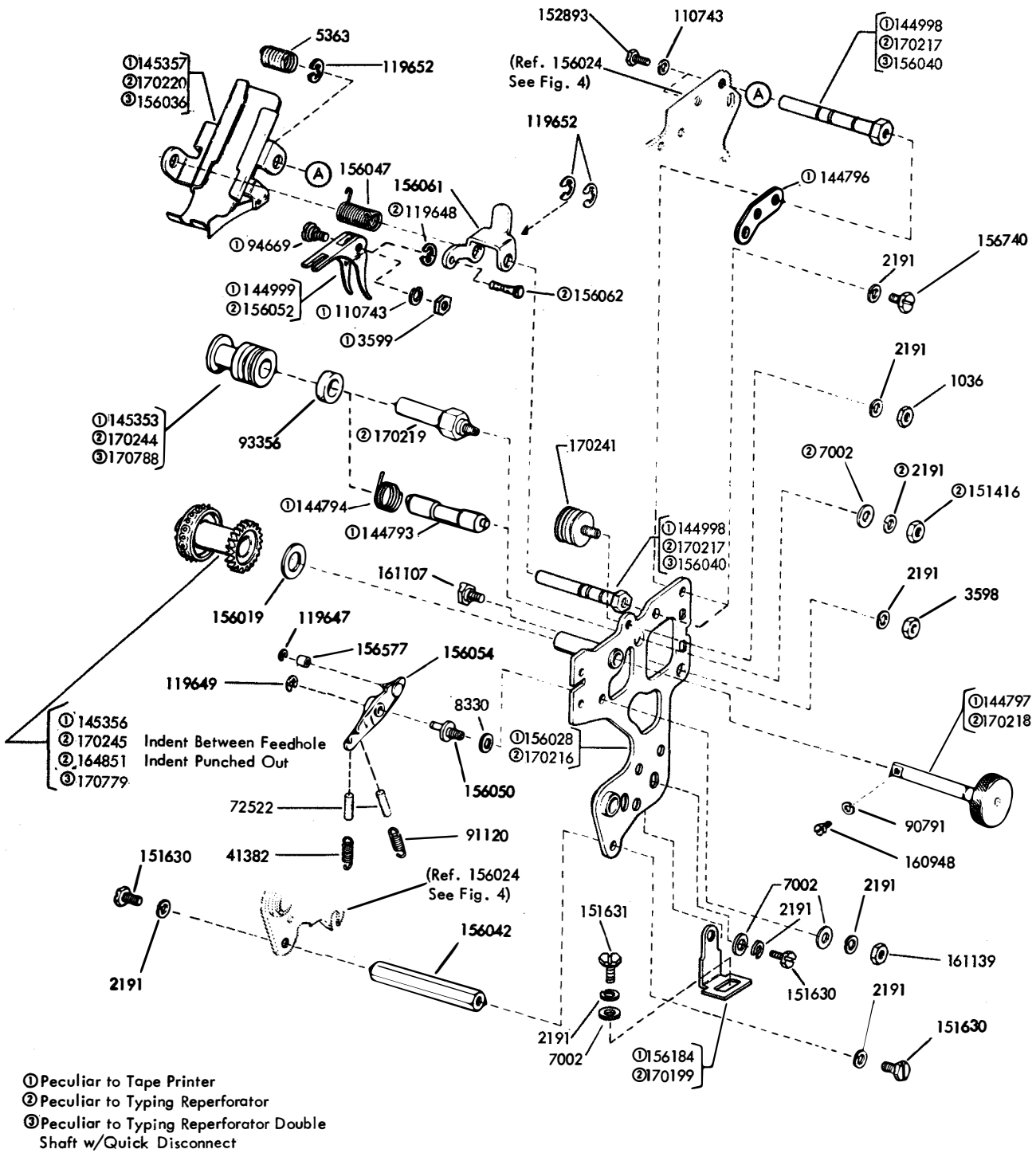


FIGURE 5. FRONT PLATE MECHANISM

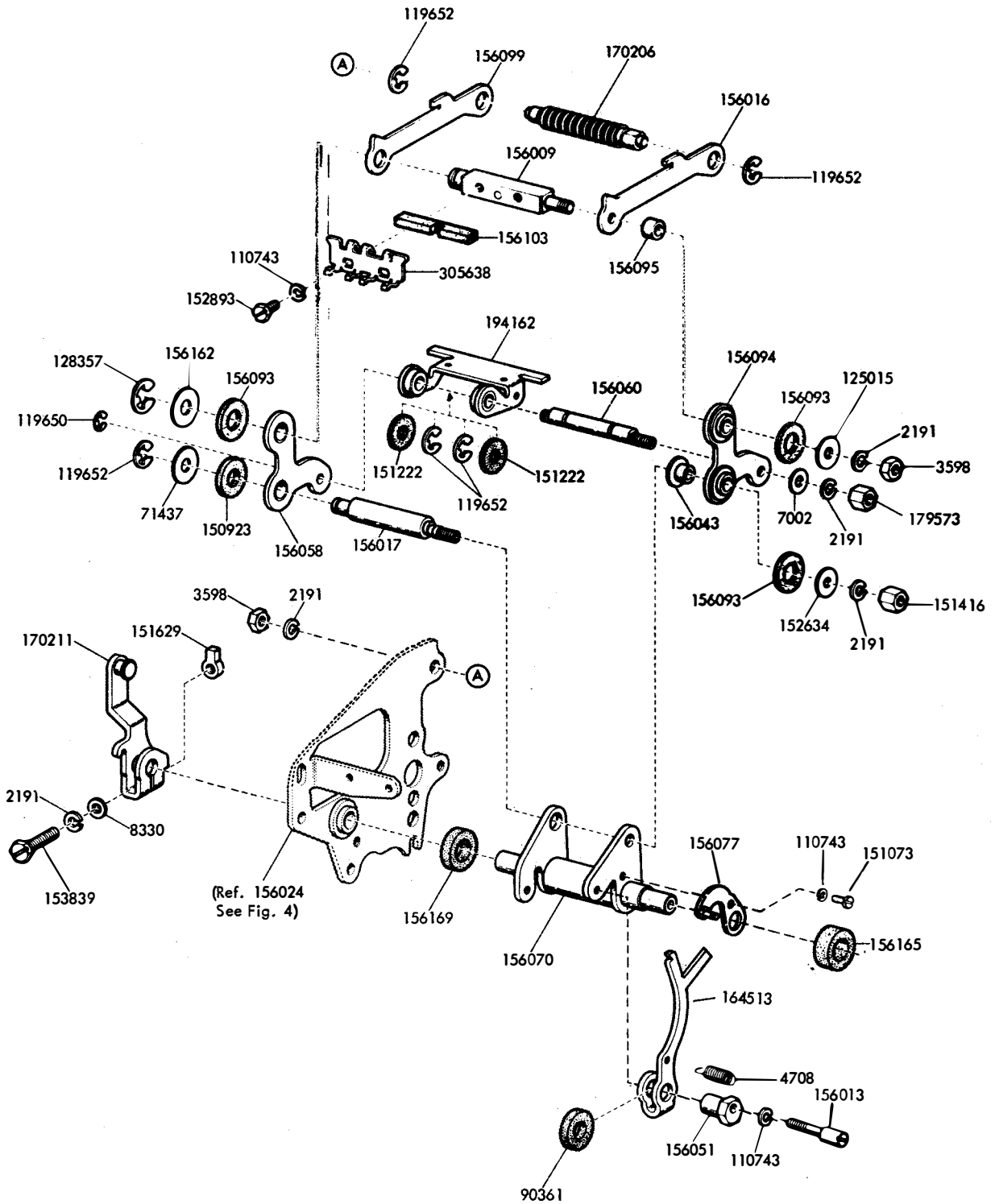


FIGURE 6. PUNCH BAIL MECHANISM

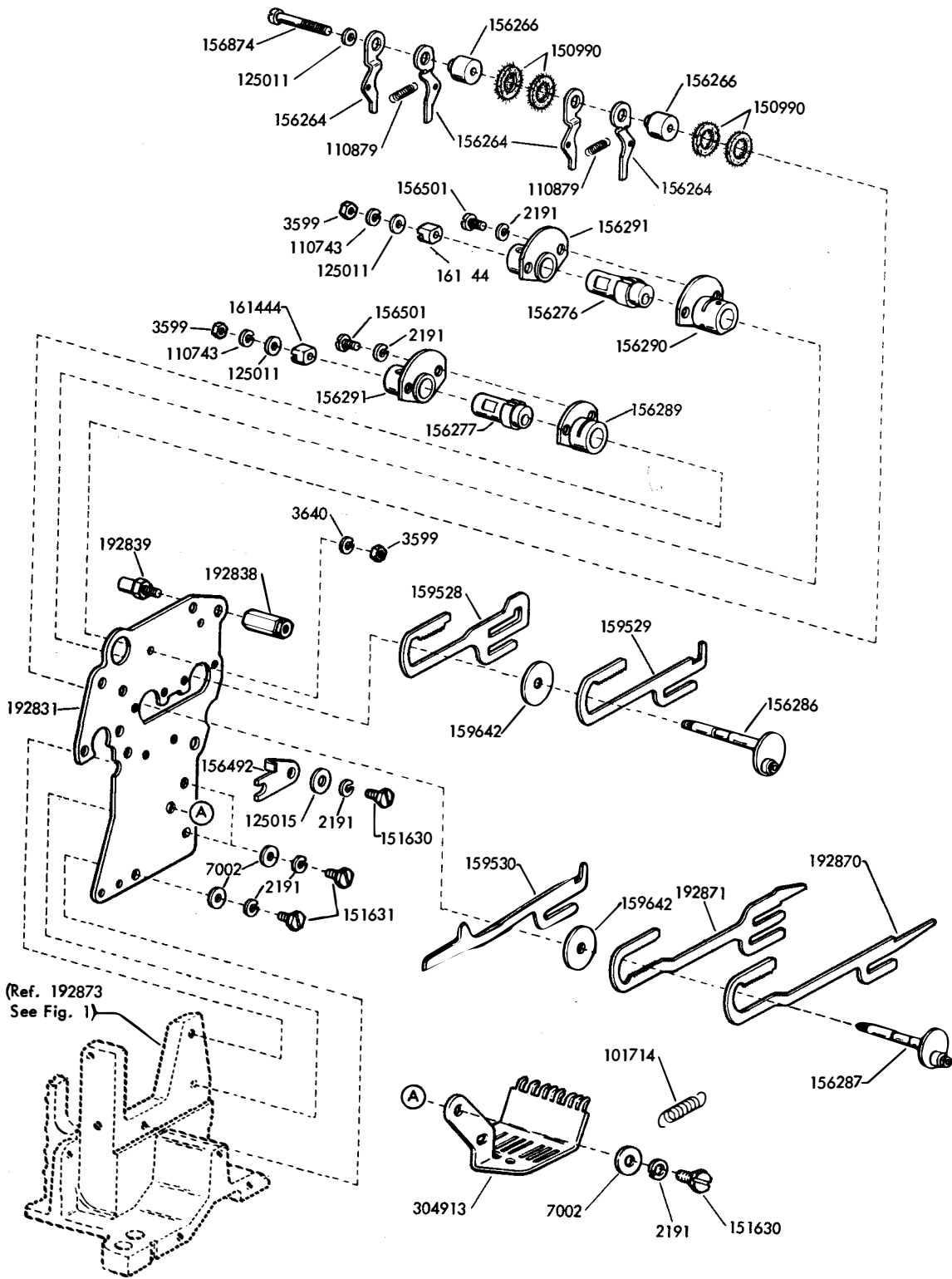
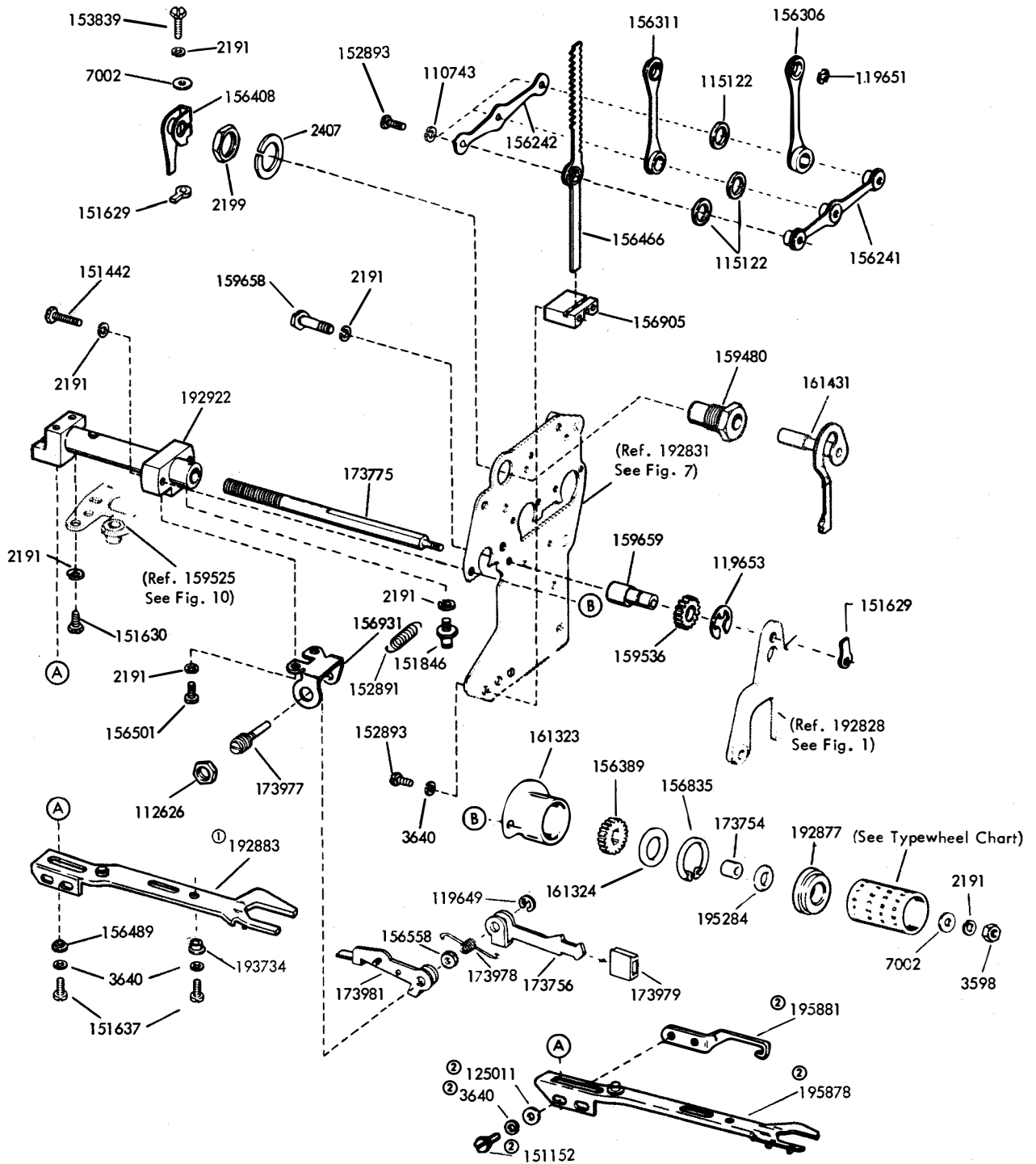
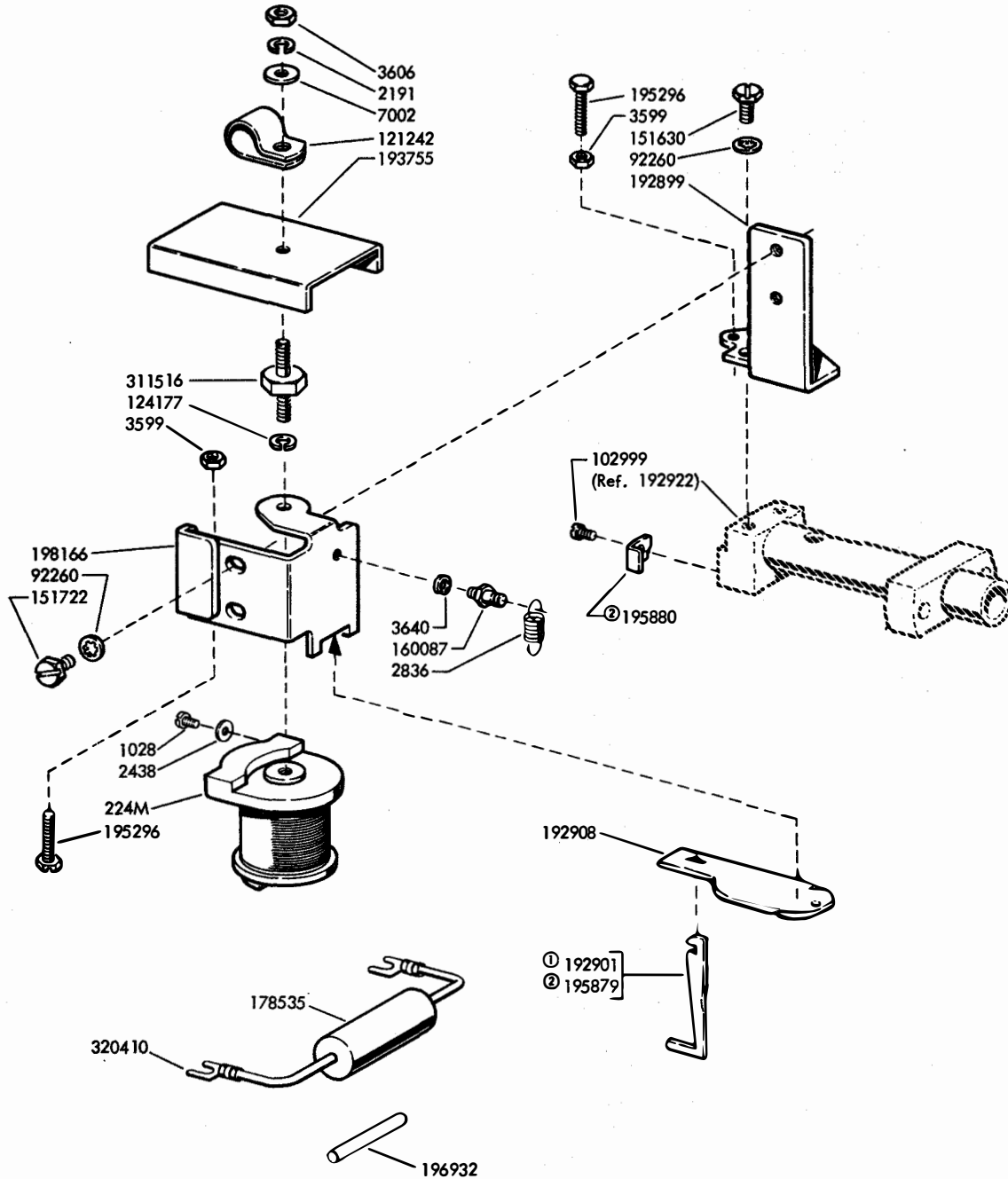


FIGURE 7. ROTARY POSITIONING MECHANISM



- ① Early Design Print Suppression Parts (See Fig. 9) Must Use 194236 Modification Kit (See Fig. 22)
- ② Later Design Print Suppression Parts (See Fig. 9)

FIGURE 8. ROTARY POSITIONING MECHANISM (Continued)



- ① Early Design Print Suppression Parts (See Fig. 8) Must Use 194236 Modification Kit (See Fig. 22)
- ② Later Design Print Suppression Parts (See Fig. 8)

FIGURE 9. PRINT SUPPRESSION MECHANISM

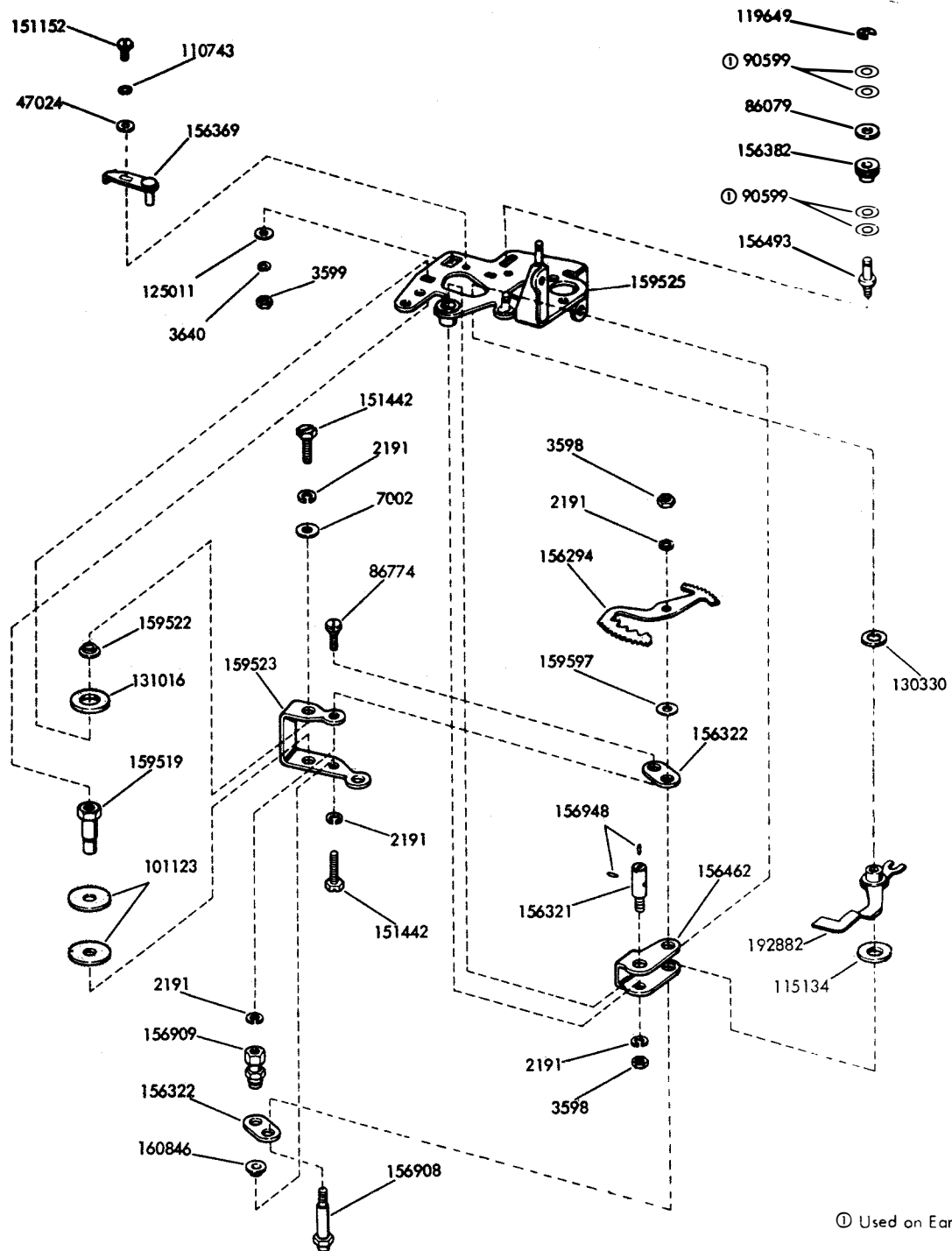


FIGURE 10. AXIAL POSITIONING MECHANISM

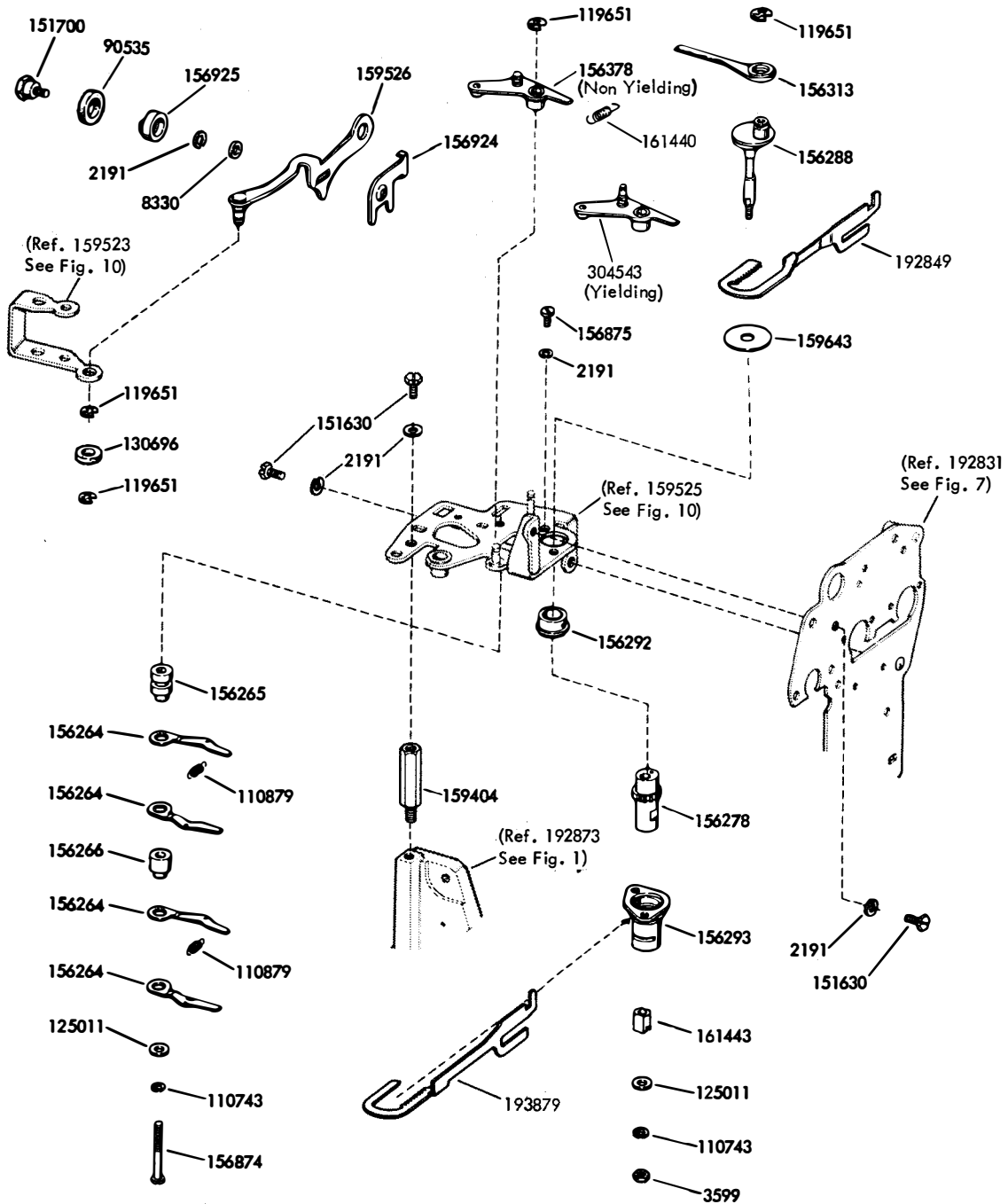


FIGURE 11. AXIAL POSITIONING MECHANISM (Continued)

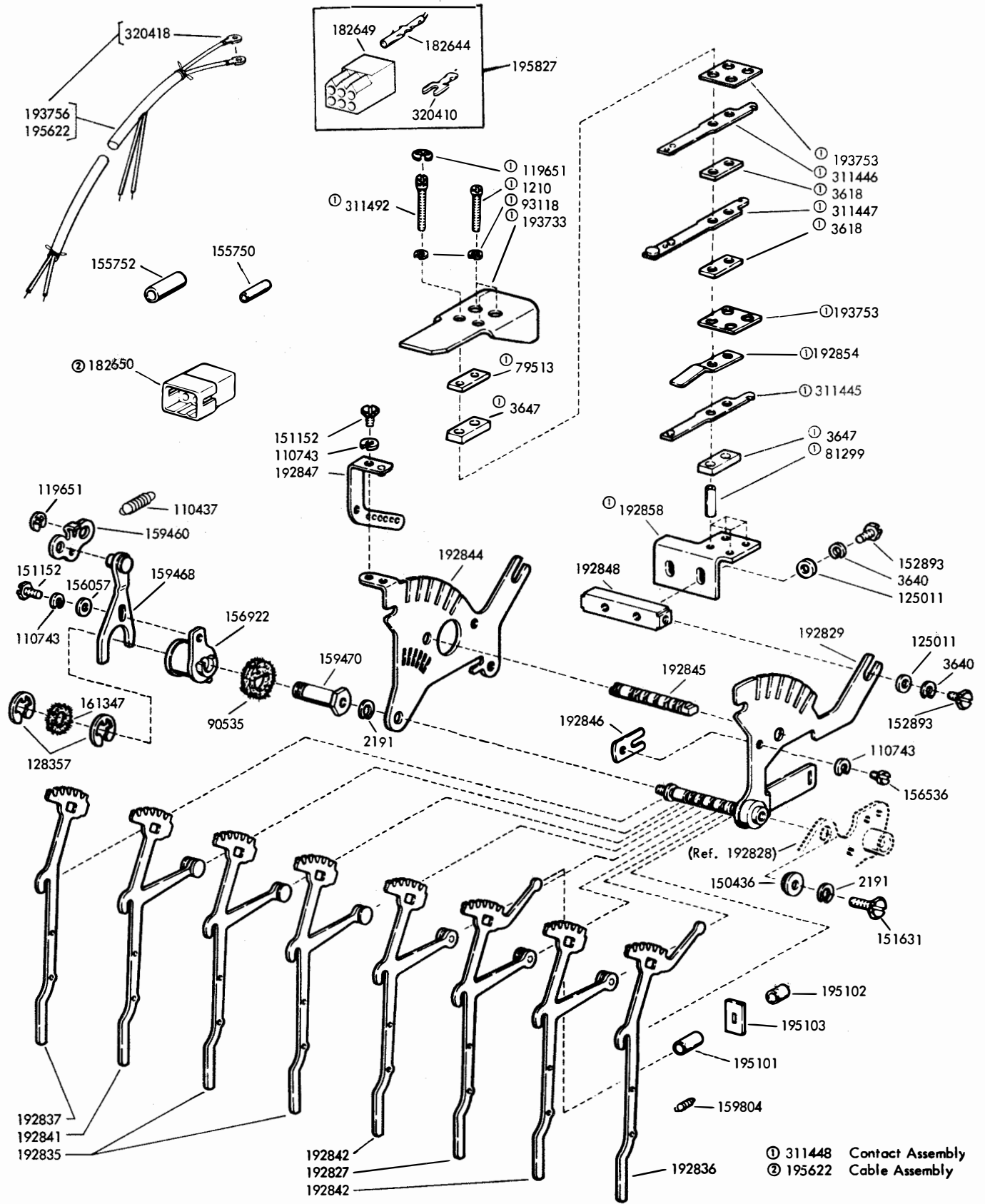


FIGURE 12. FUNCTION BOX MECHANISM

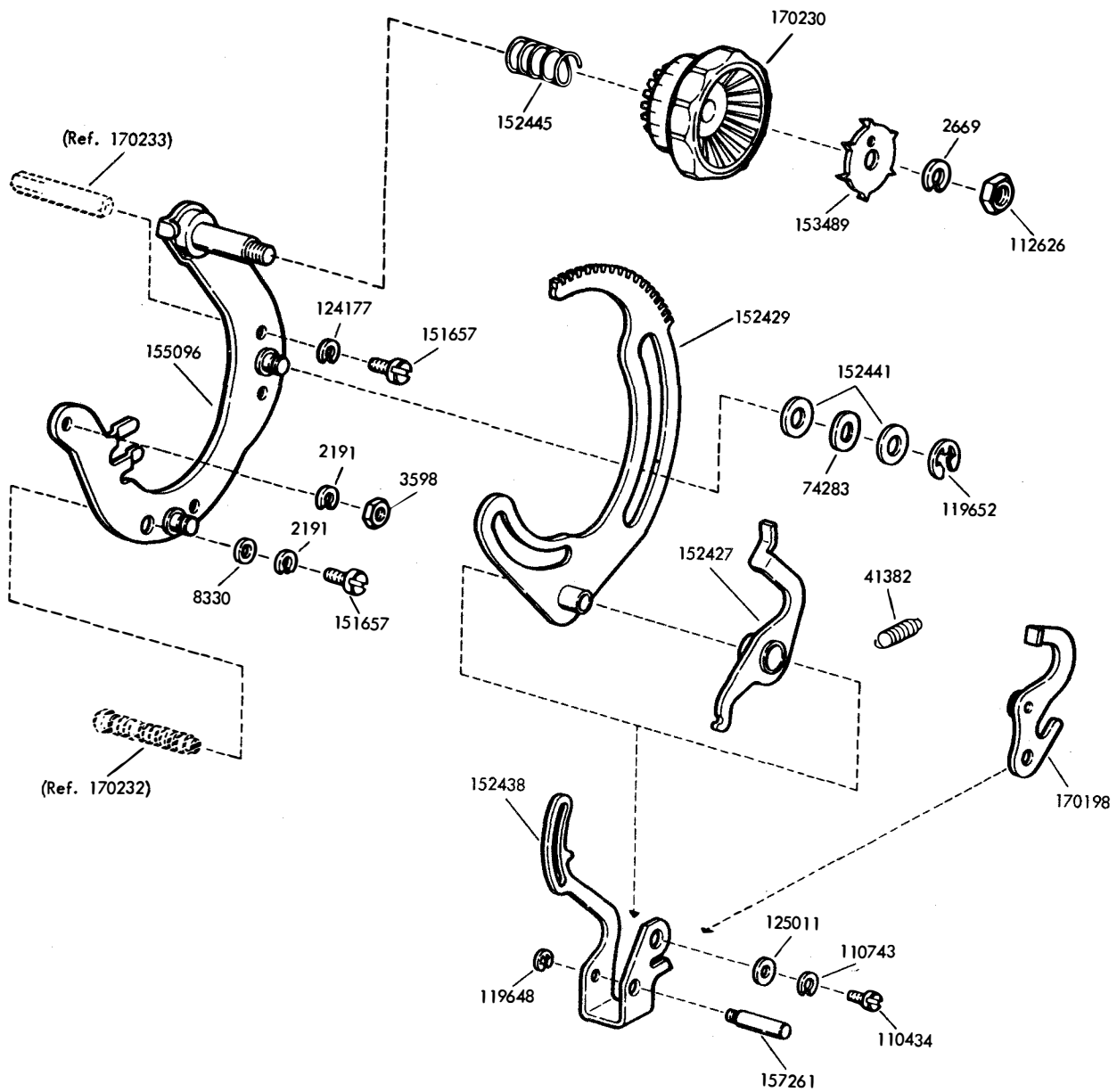
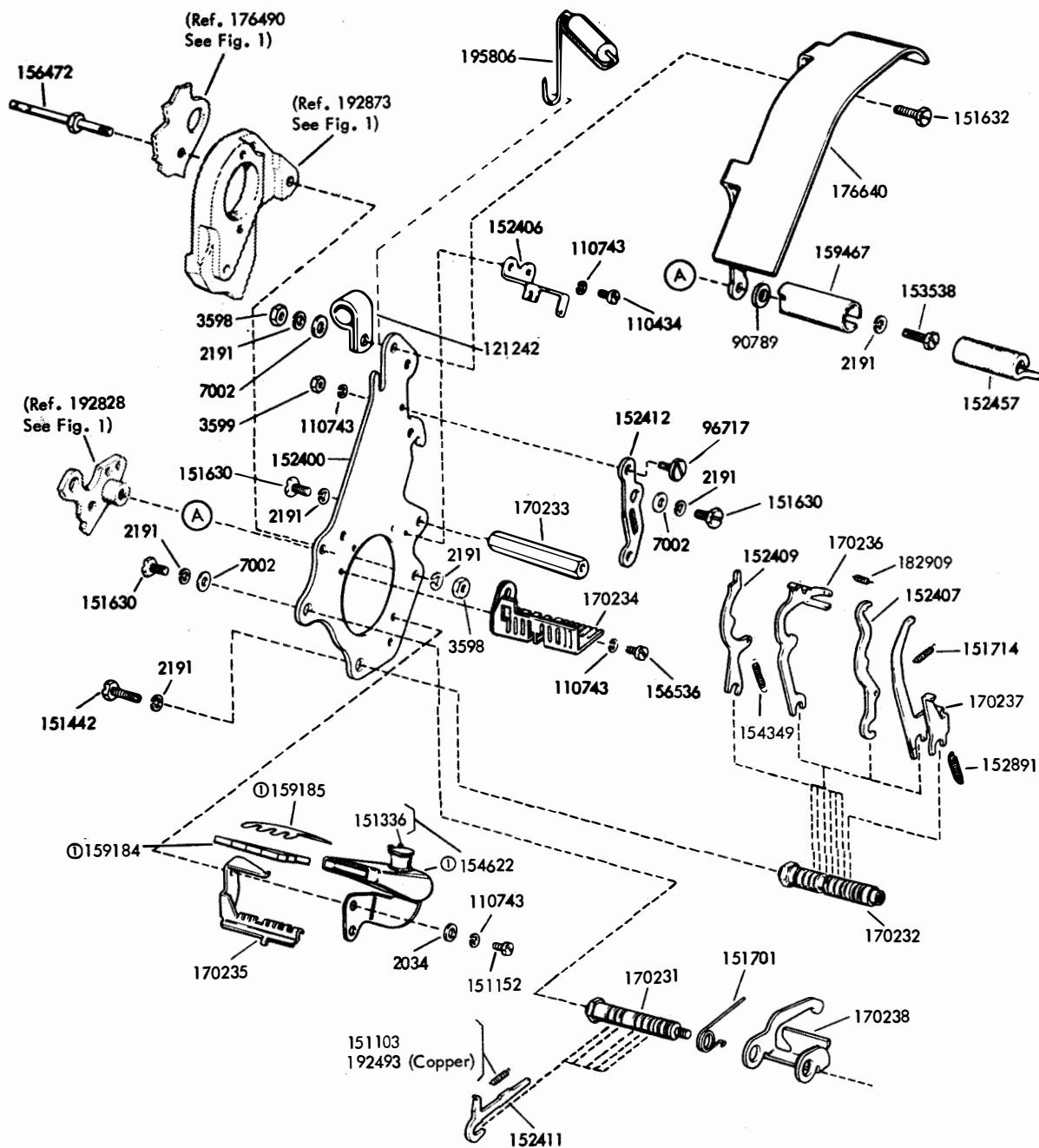


FIGURE 13. RANGE FINDER MECHANISM



ⓐ 195149 Lubricator Assembly Used on Single Shaft Reperforator)

FIGURE 14. SELECTING MECHANISM

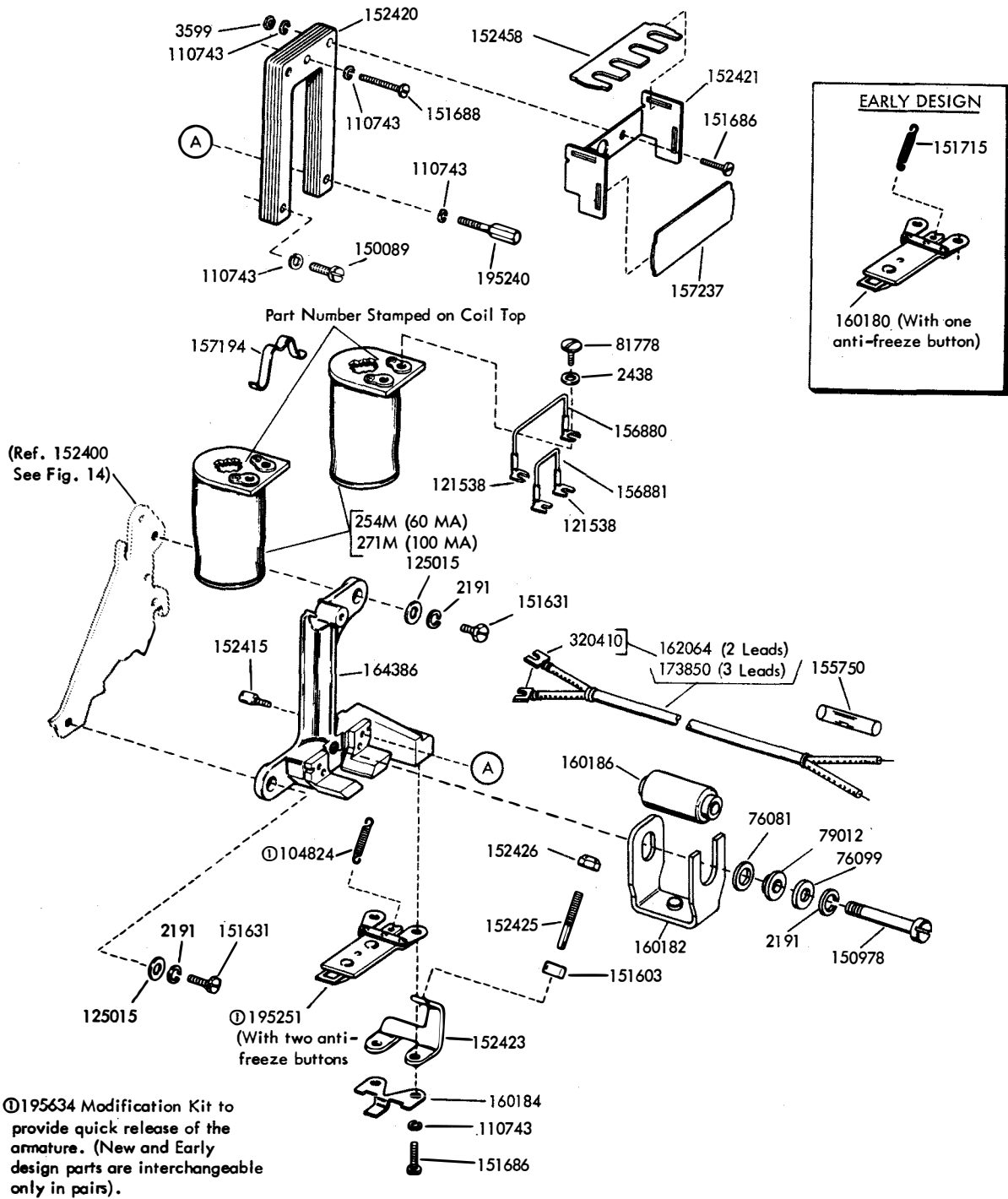


FIGURE 15. SELECTING MAGNET MECHANISM

11888

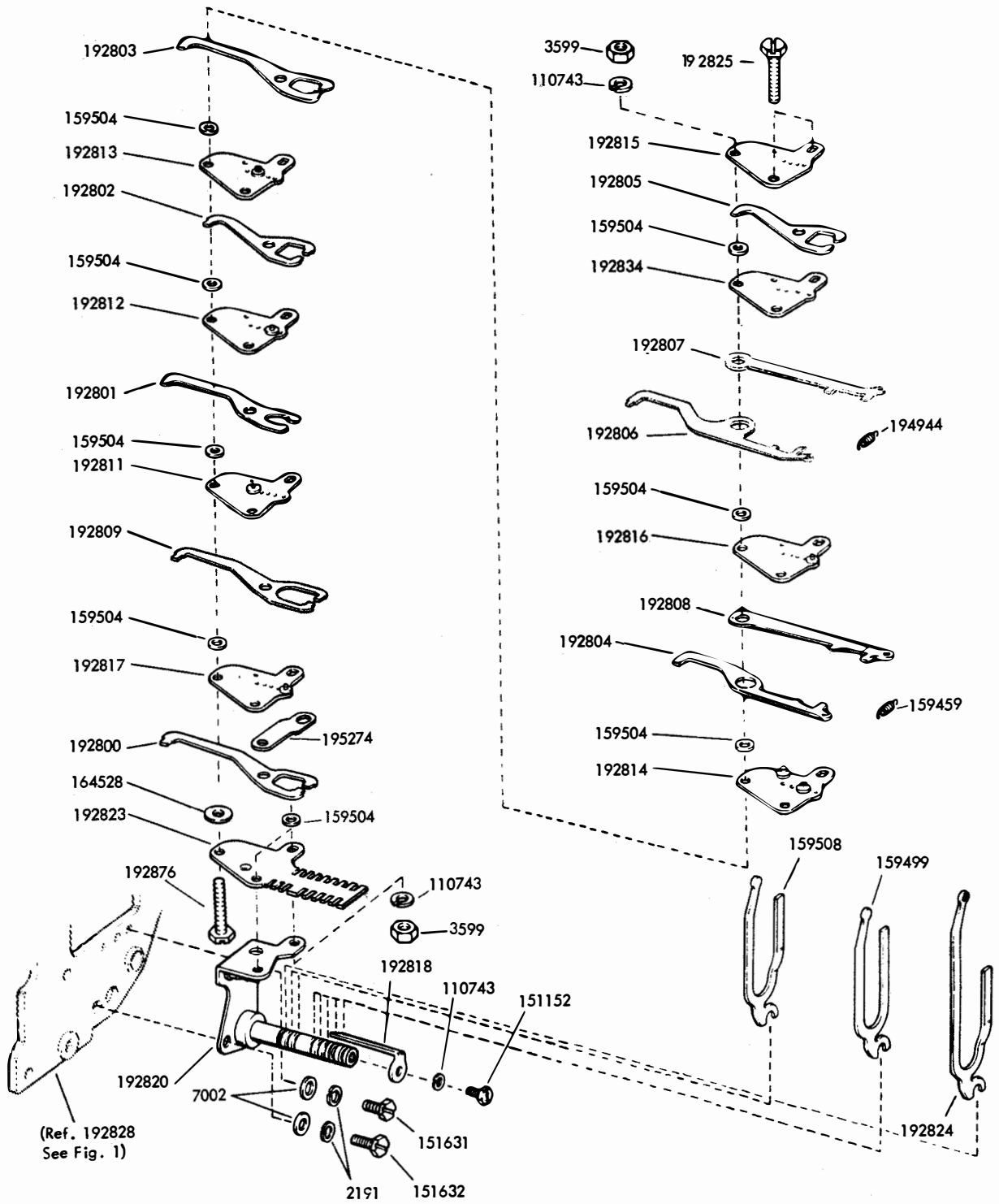


FIGURE 16. TRANSFER MECHANISM

SECTION 574-233-8007C

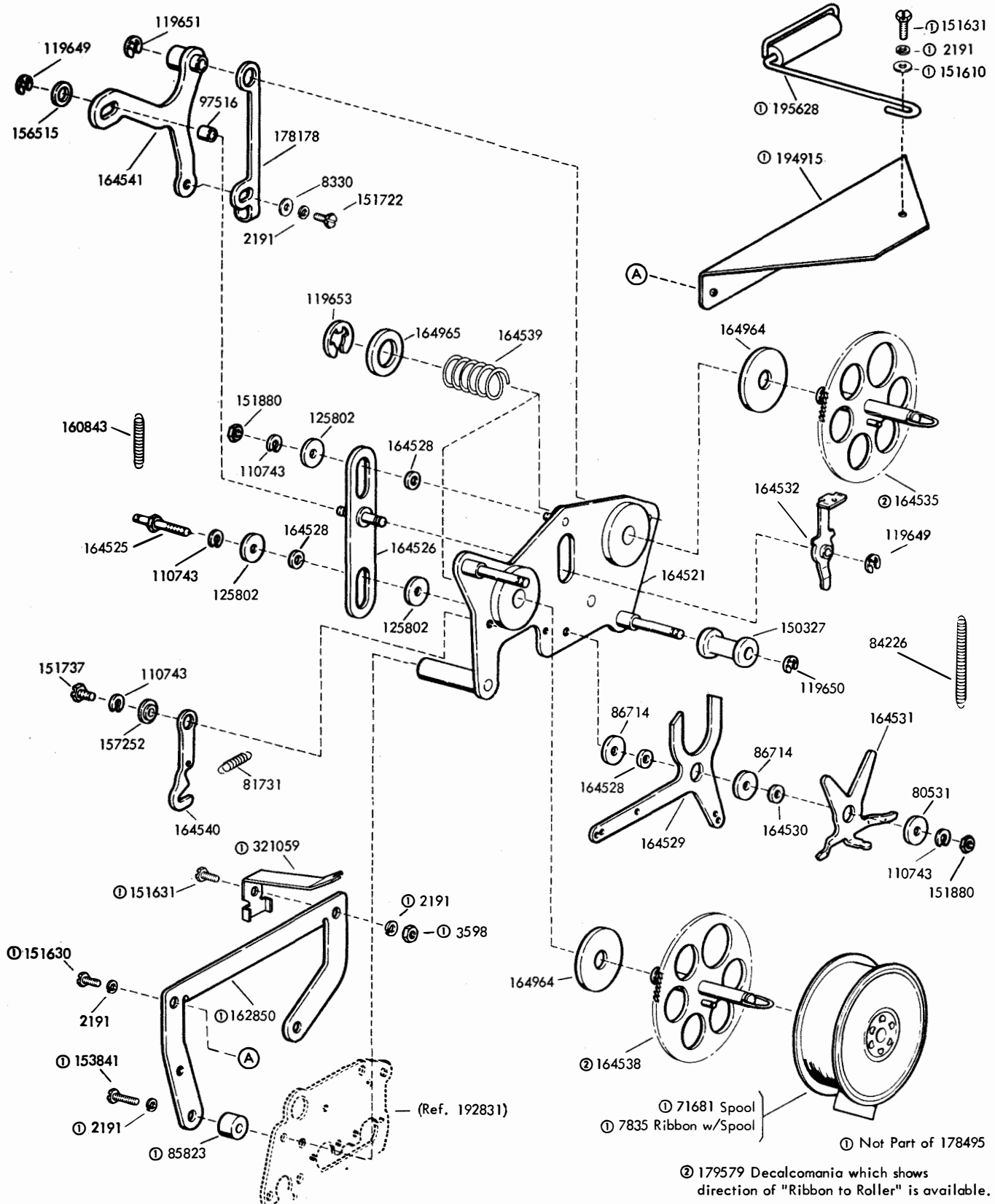


FIGURE 17. 178495 RIBBON FEED MECHANISM

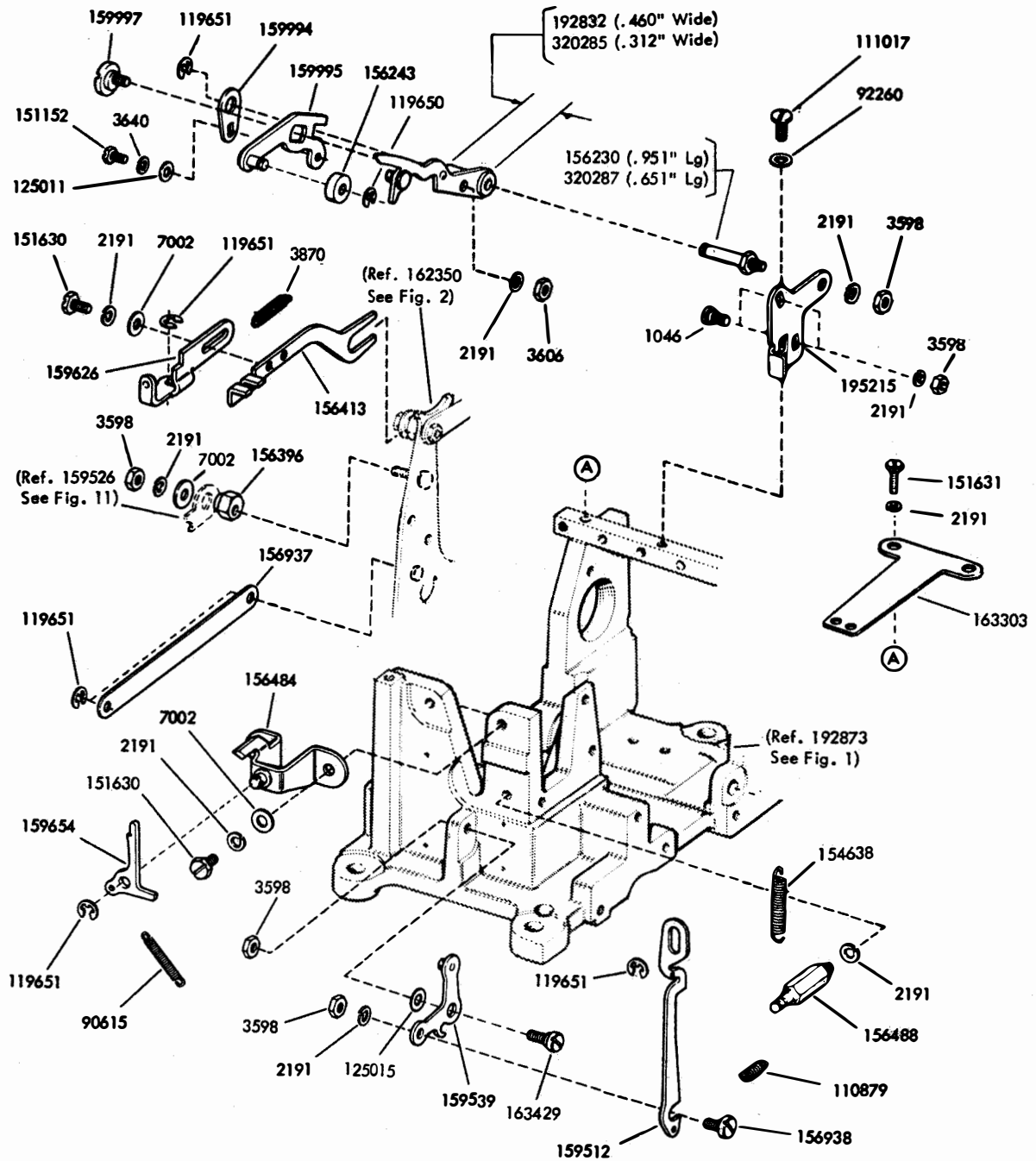


FIGURE 18. TYPING MECHANISM

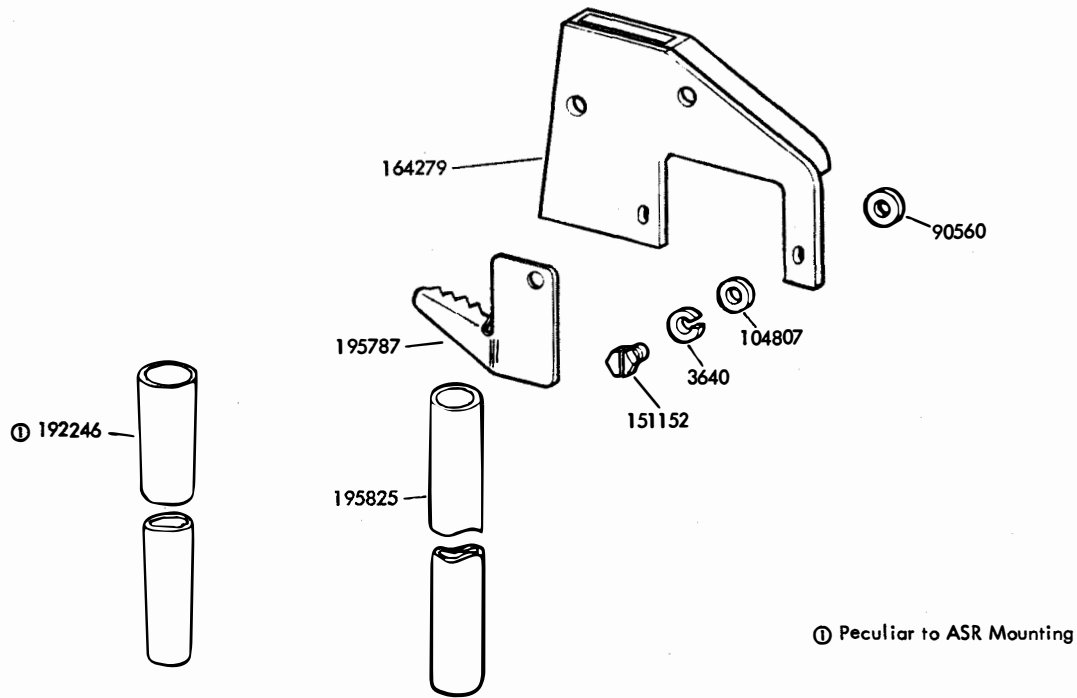


FIGURE 19. CHAD CHUTE DISPOSAL

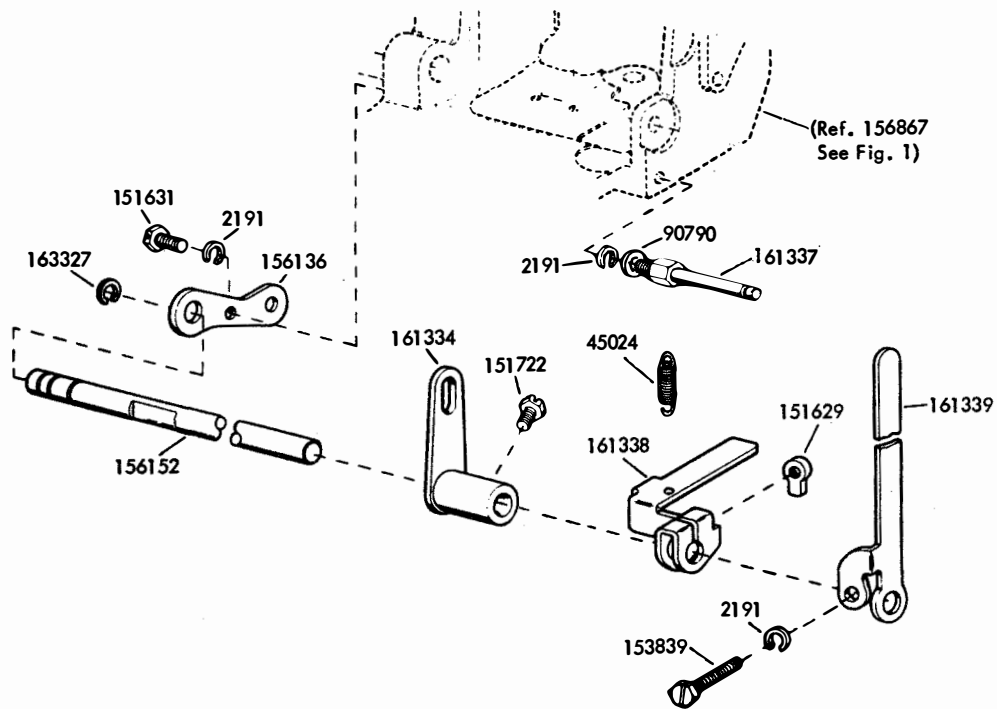


FIGURE 20. 161340 MODIFICATION KIT TO PROVIDE MANUAL INTERFERING LETTERS TAPE FEED-OUT

NOTE:

Due to special assembly process, it is recommended that Teletype Corporation be Contacted to determine if part replacement or repair is possible on this portion of the Punch Block Assembly.

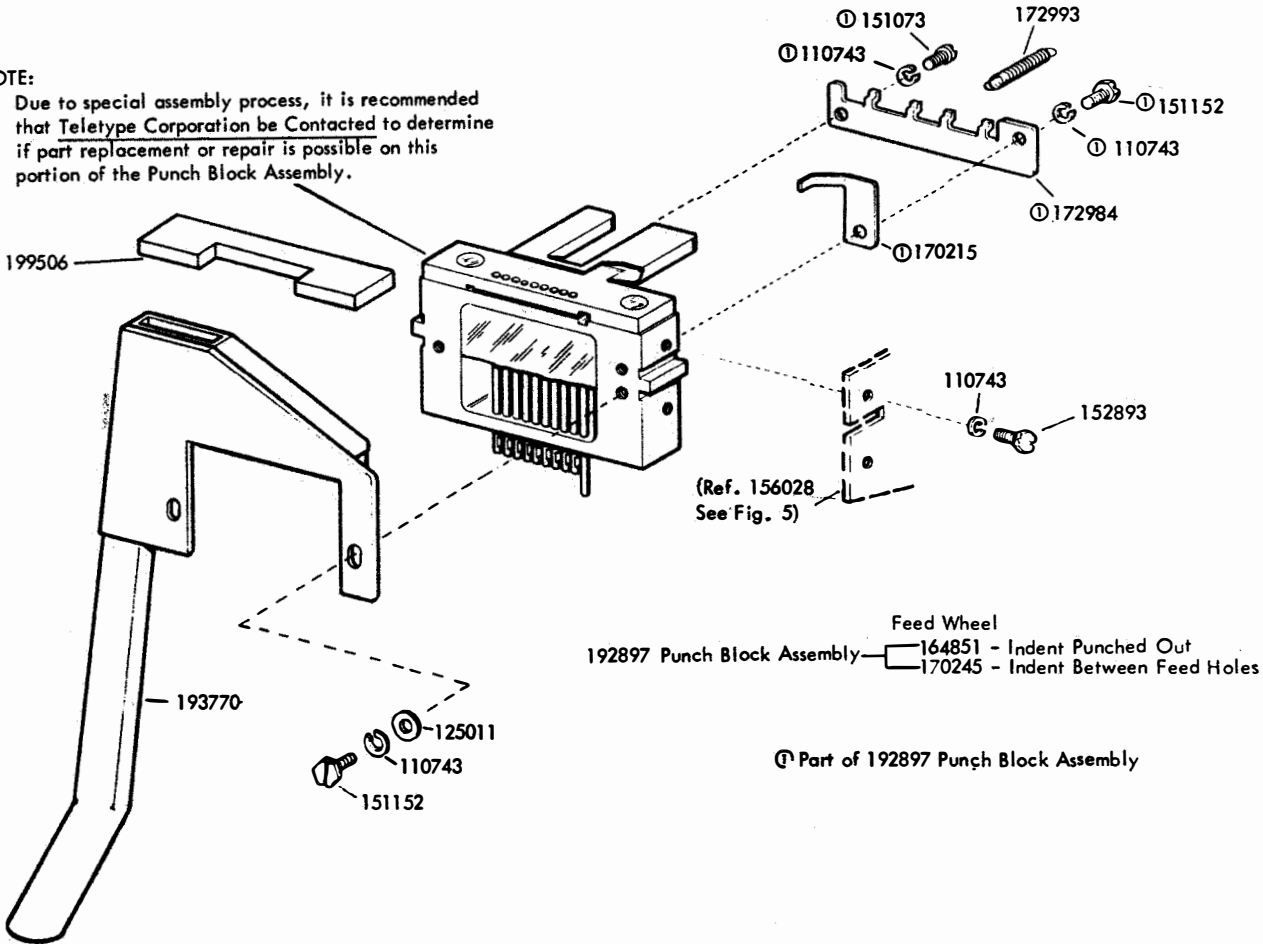
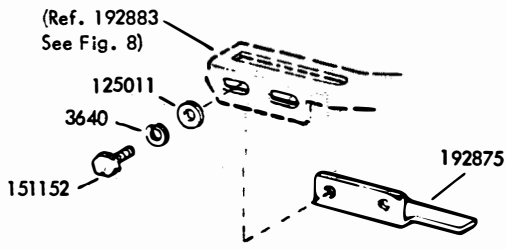


FIGURE 21. PUNCH BLOCK AND CHAD CHUTE



Specification 501625

FIGURE 22. 194236 MODIFICATION KIT TO PROVIDE PRINT SUPPRESSION

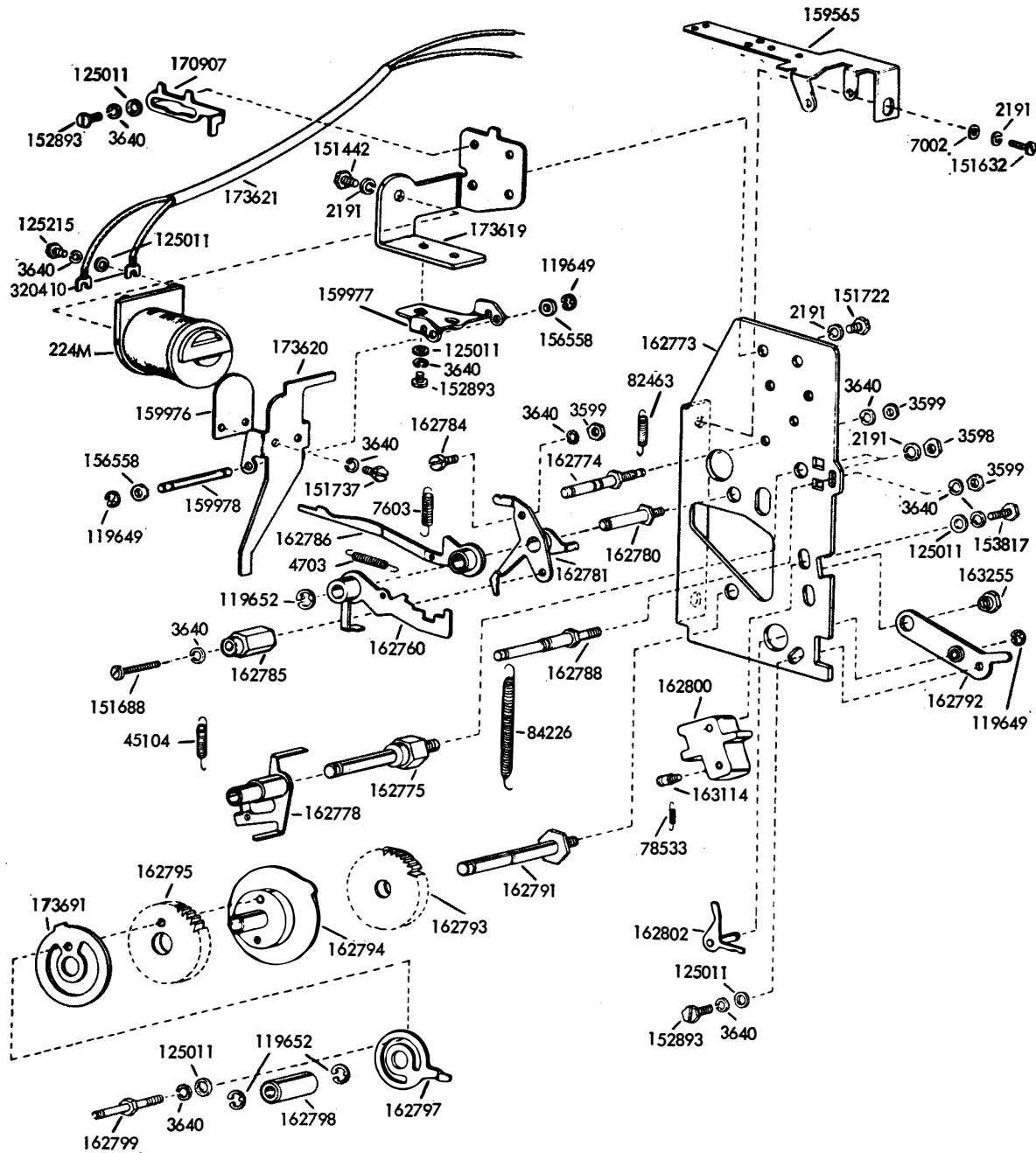
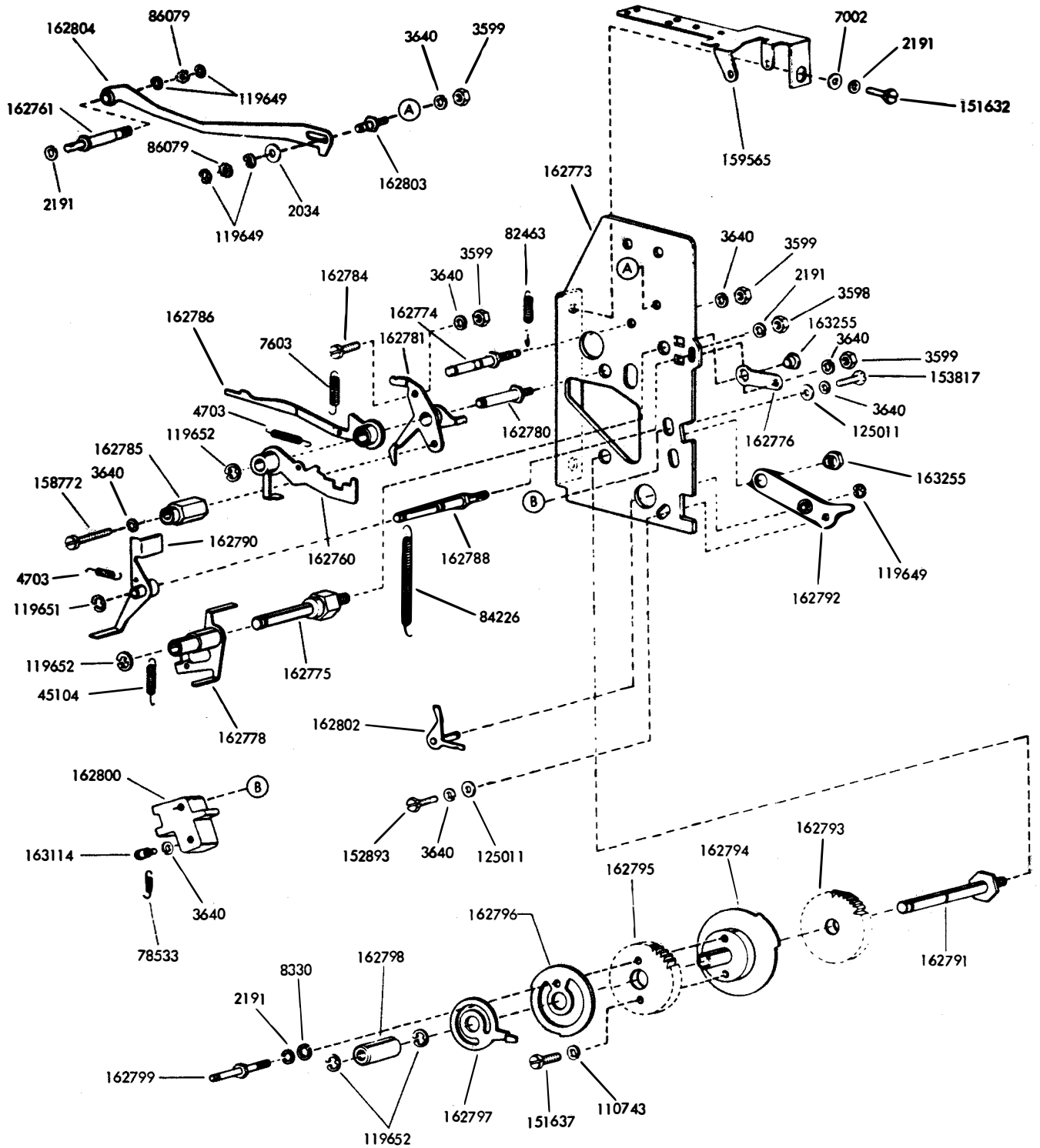


FIGURE 23. 193749 MODIFICATION KIT TO PROVIDE REMOTE CONTROL NON-INTERFERING LETTERS TAPE FEED-OUT



Specification 59455

FIGURE 24. 309697 MODIFICATION KIT TO ADD AUTOMATIC NON-INTERFERING LETTERS TAPE FEED OUT

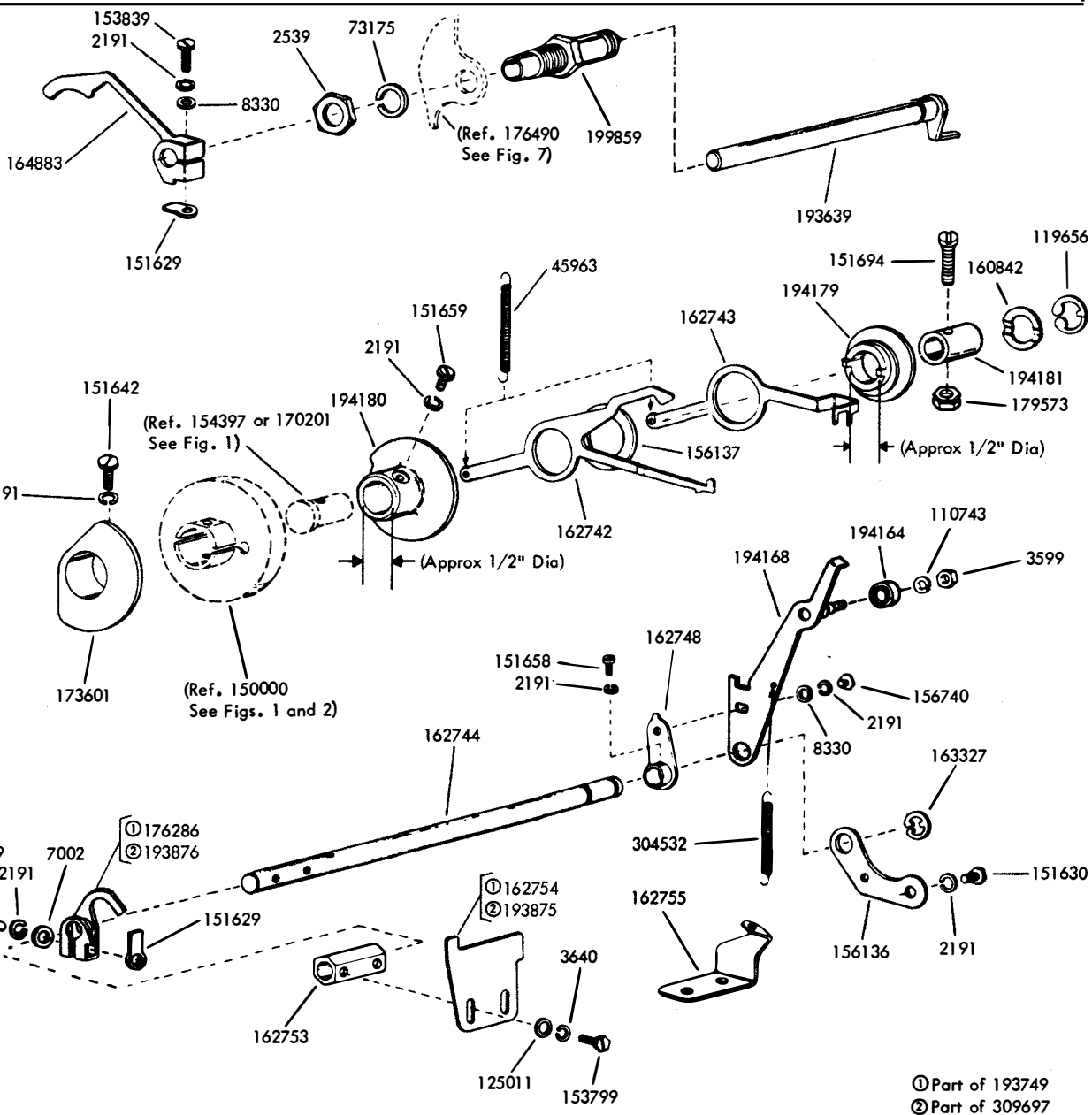
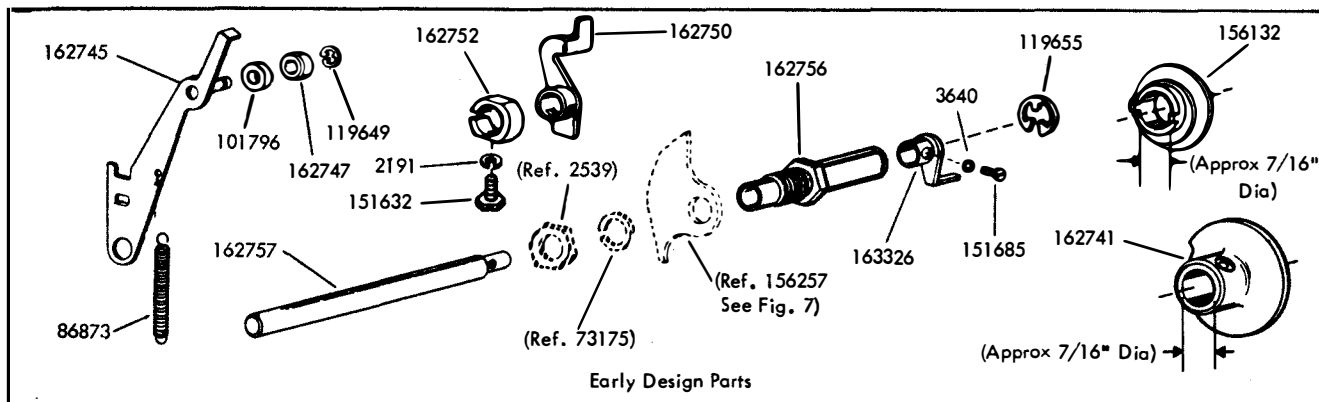
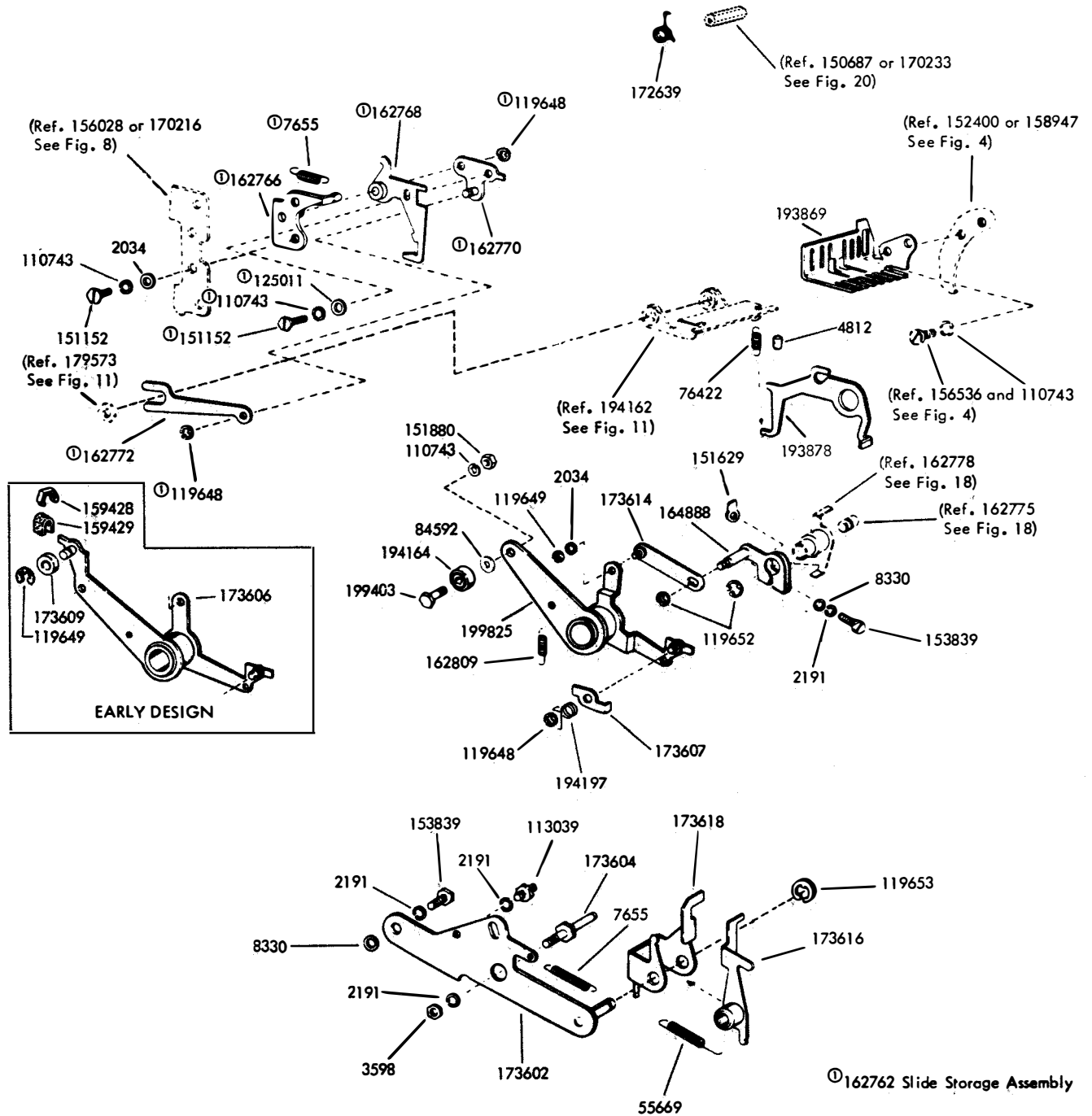


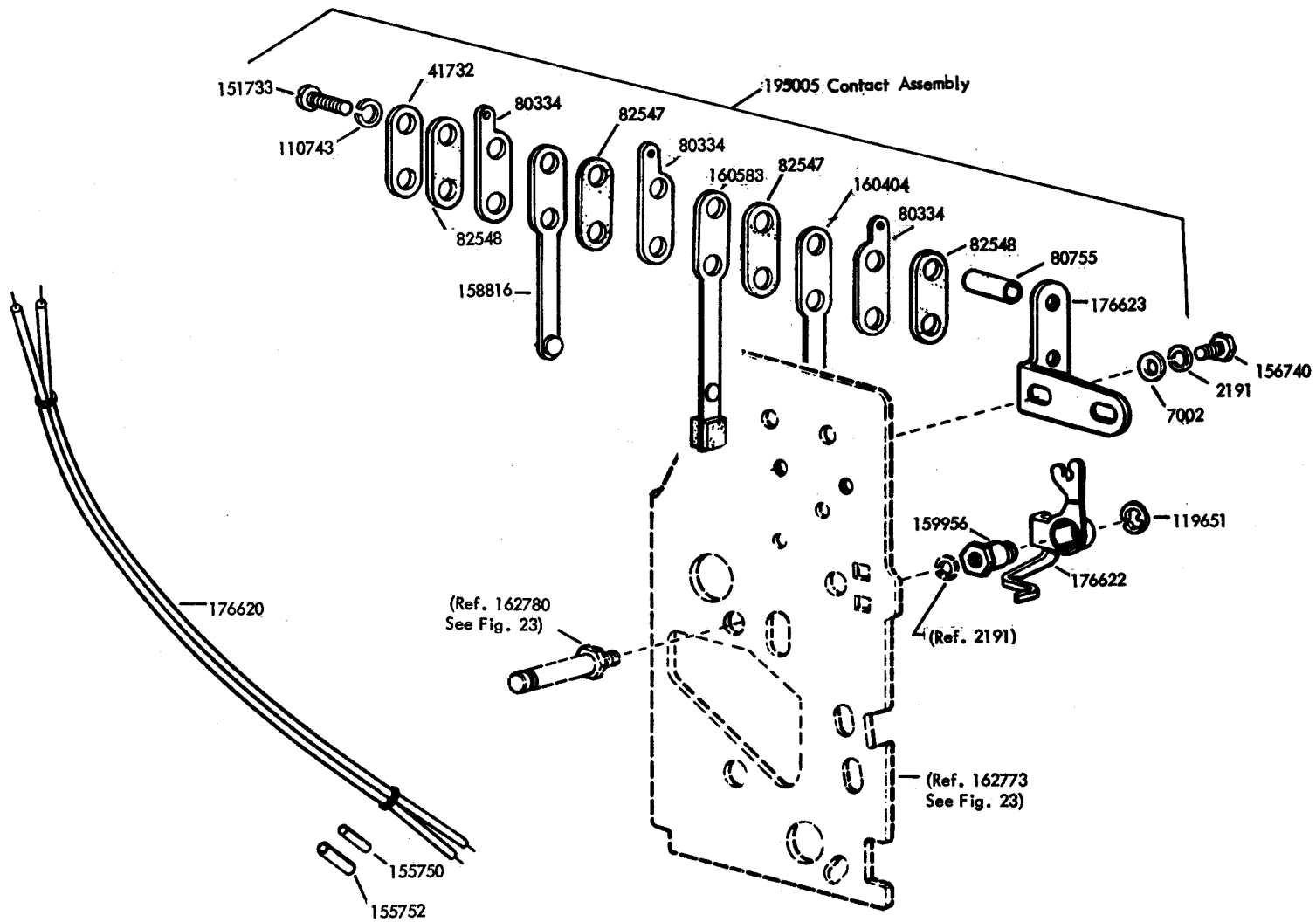
FIGURE 25. 193749 (REMOTE CONTROL LETTERS) AND 309697 (AUTOMATIC) MODIFICATION KITS TO ADD NON-INTERFERING TAPE FEED OUT



Specification 50, 1755

FIGURE 26. 193749 (REMOTE CONTROL LETTERS) AND 309697 (AUTOMATIC) MODIFICATION KITS TO ADD NON-INTERFERING TAPE FEED OUT (Continued)

FIGURE 27. 195004 MODIFICATION KIT TO PROVIDE FEED-OUT CONTACT FOR NON-INTERFERING LETTERS TAPE FEED-OUT



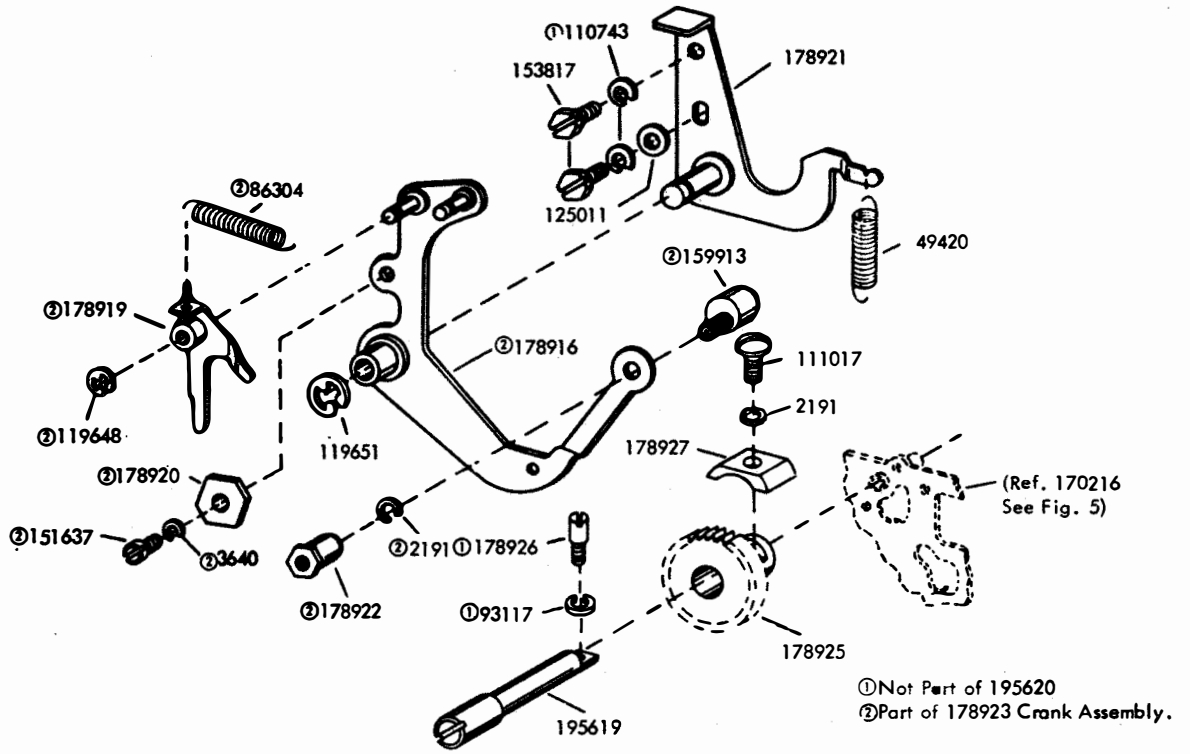


FIGURE 28. 195620 MODIFICATION KIT TO PROVIDE BACKSPACE MECHANISM FOR FULLY PERFORATED TAPE AND PRINTING BETWEEN FEED HOLES

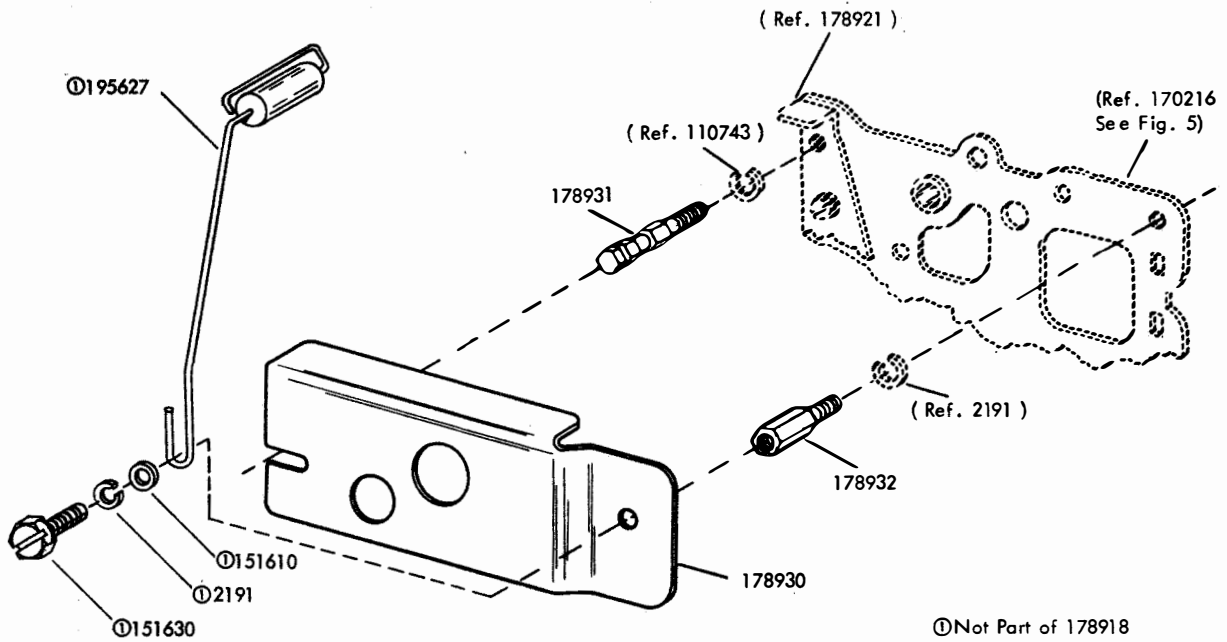


FIGURE 29. 178918 MODIFICATION KIT TO PROVIDE GUARD FOR BACKSPACE MECHANISM (Fully Perforated Tape, Printing Between Feed Holes)

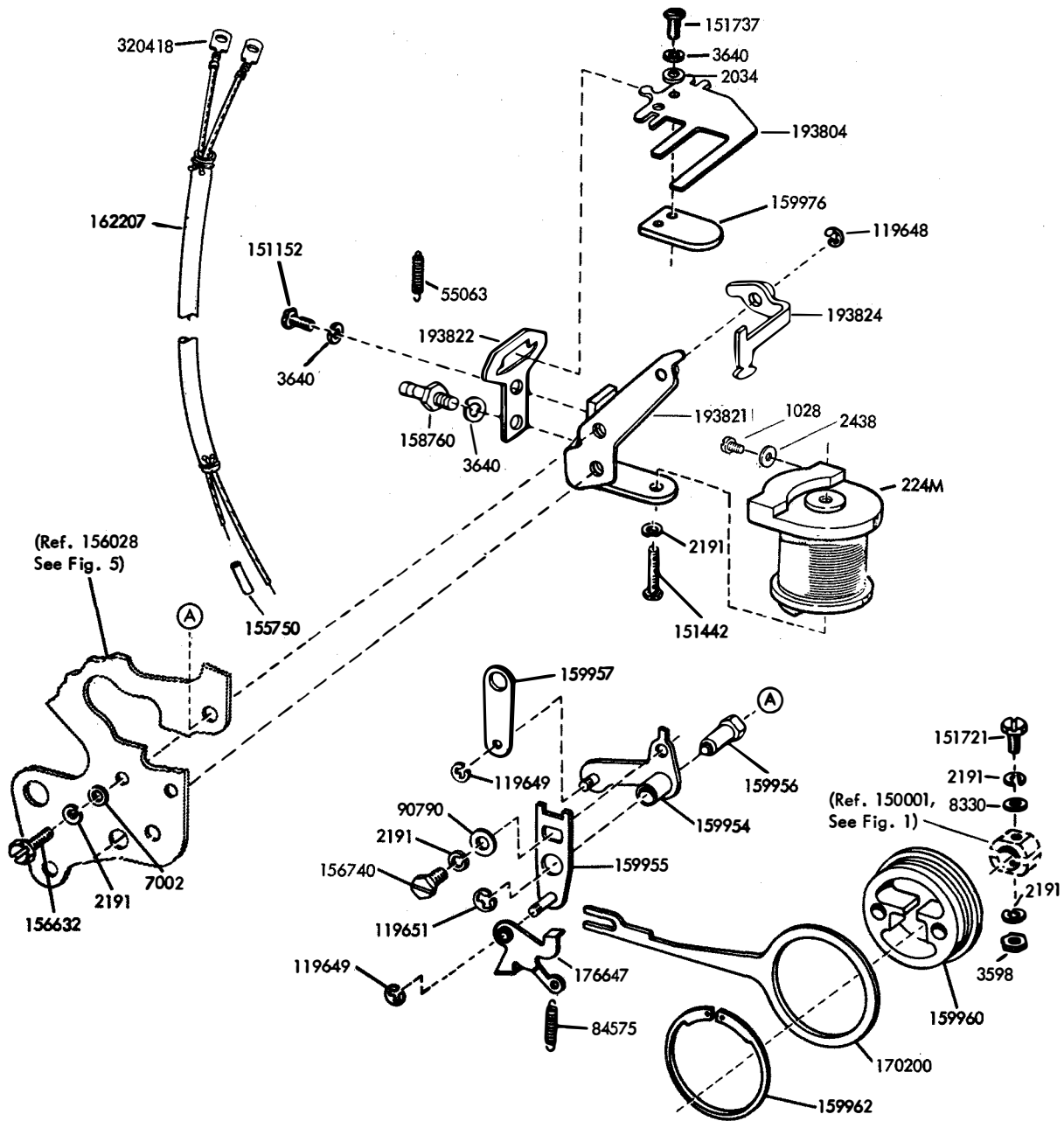
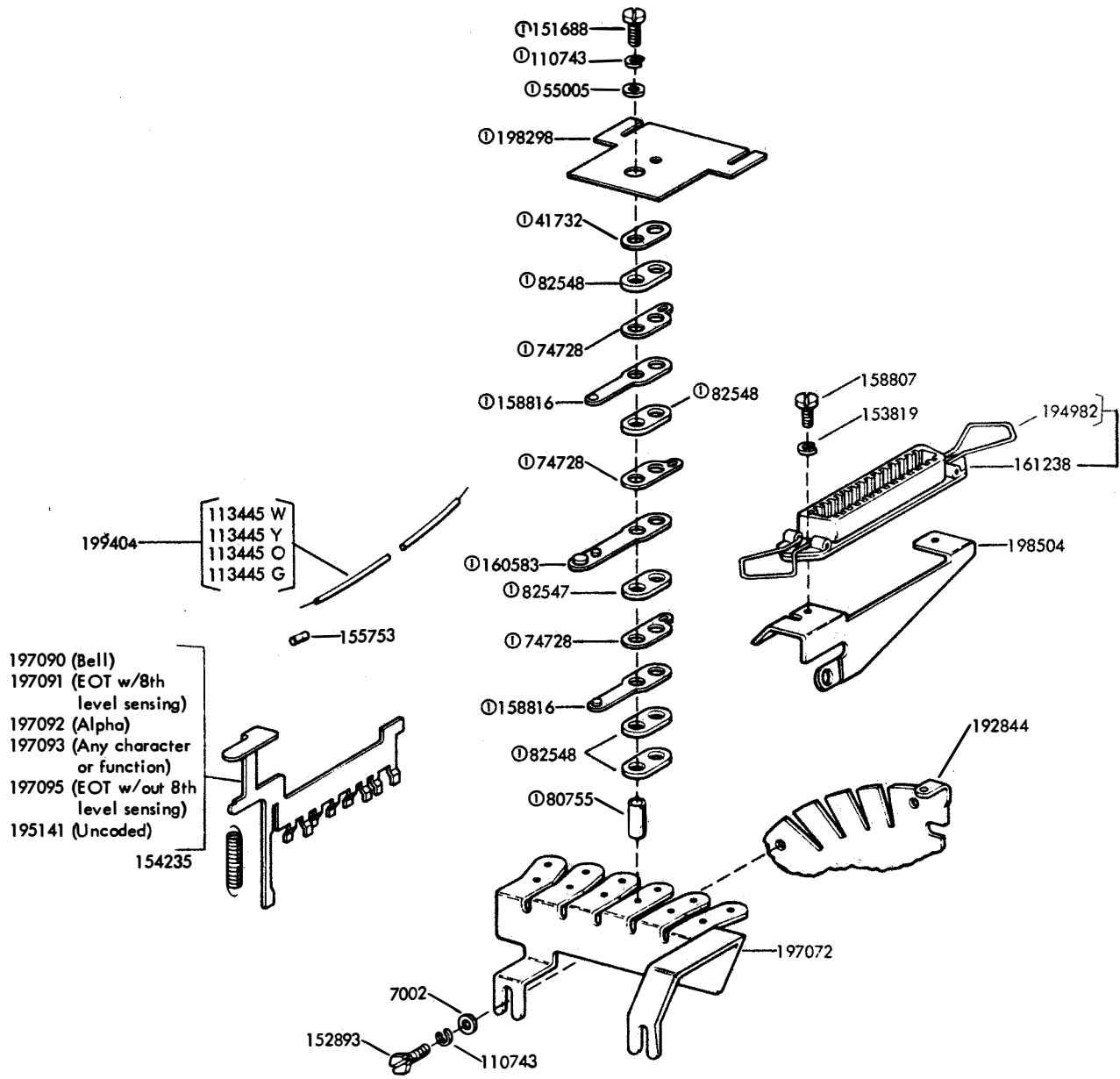


FIGURE 30. 195621 MODIFICATION KIT TO ADD POWER DRIVE TO BACKSPACE MECHANISM



⊙Part of 197067 Contact Assembly

FIGURE 31. MULTIPLE MOUNTED FUNCTION BLADE OPERATED CONTACTS

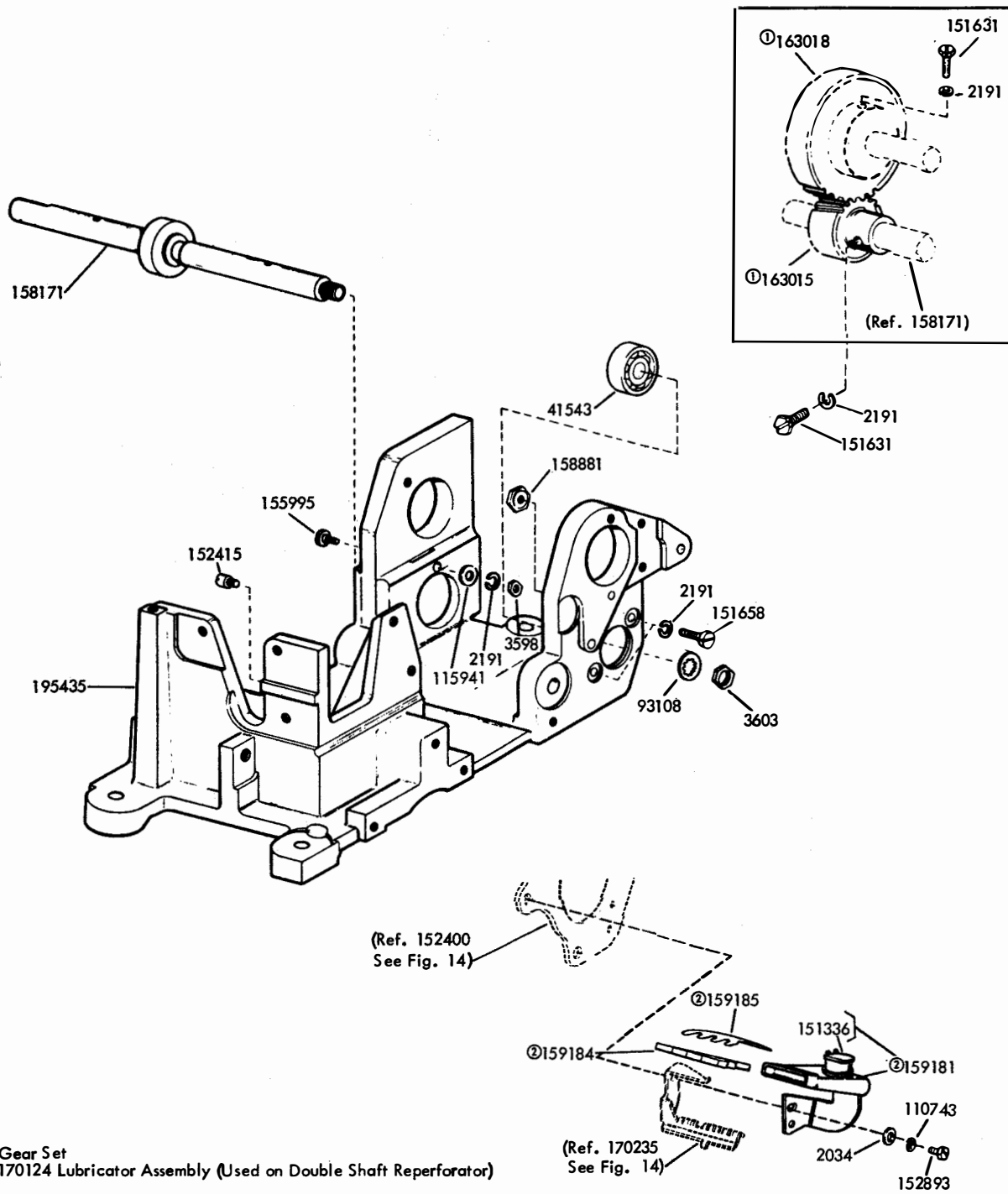
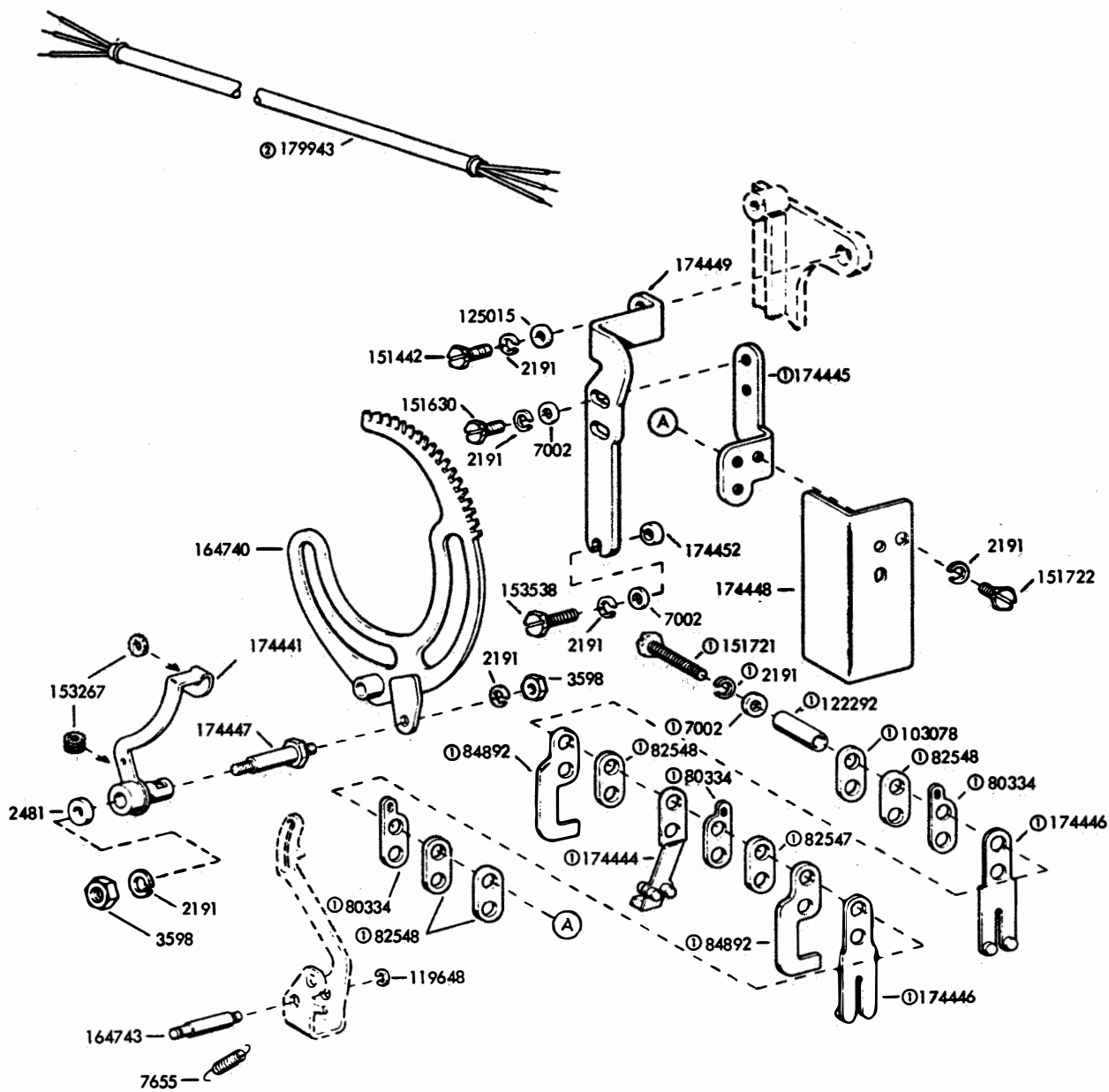


FIGURE 32. TWO-SHAFT FRAME MECHANISM



① 174442 Contact Assembly
 ② Not Part of 174439

FIGURE 33. 174439 MODIFICATION KIT TO ADD TIMING CONTACTS TO SELECTOR

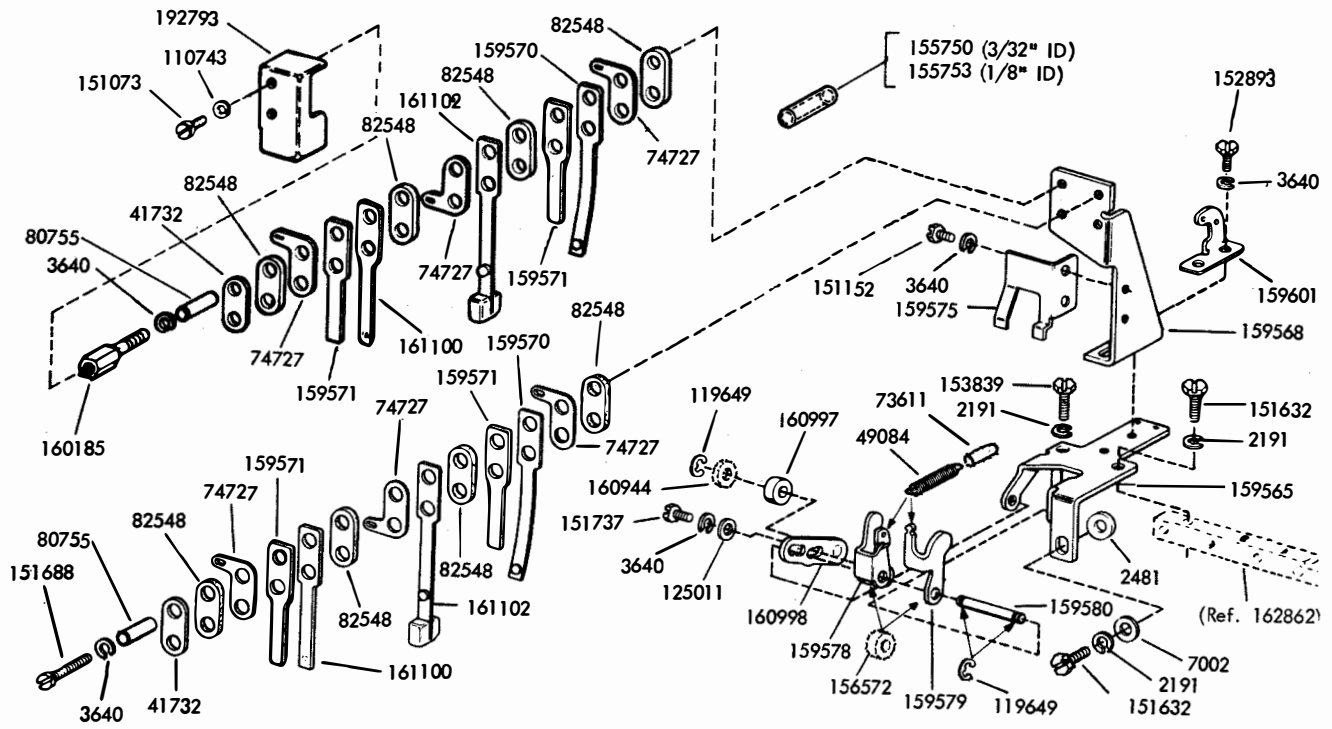


FIGURE 34. 174650 MODIFICATION KIT TO ADD TIMING CONTACTS

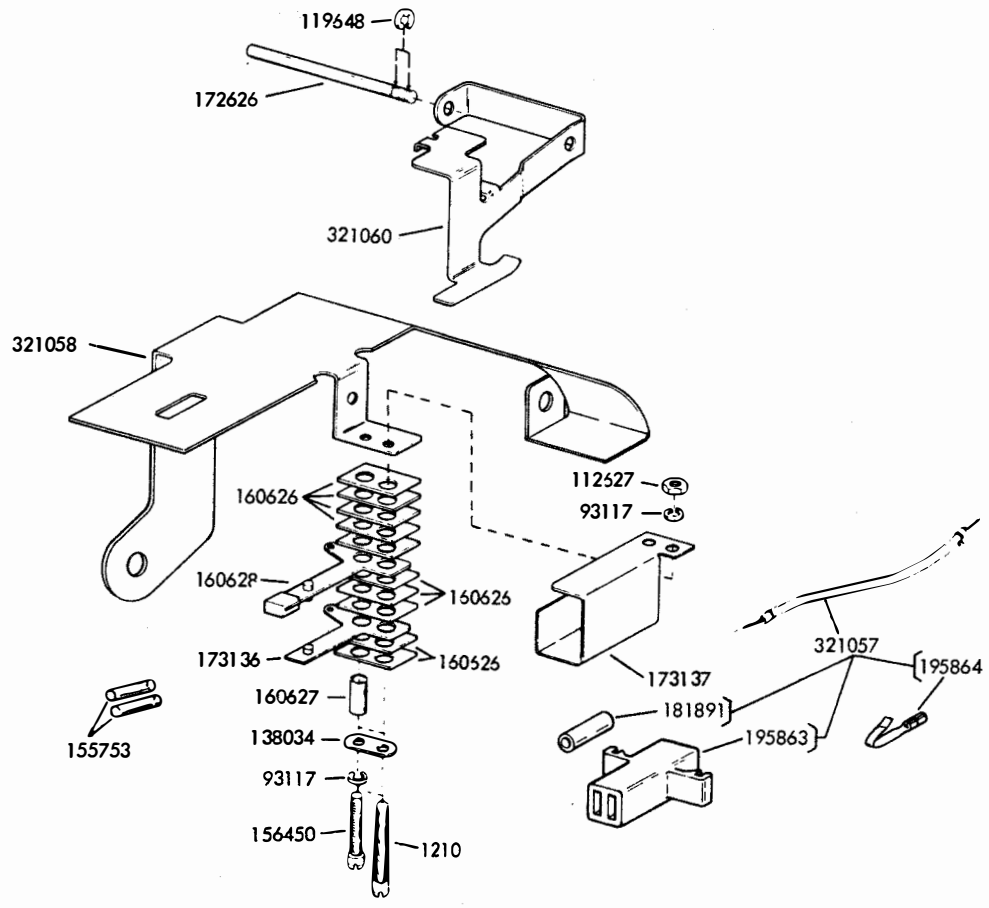
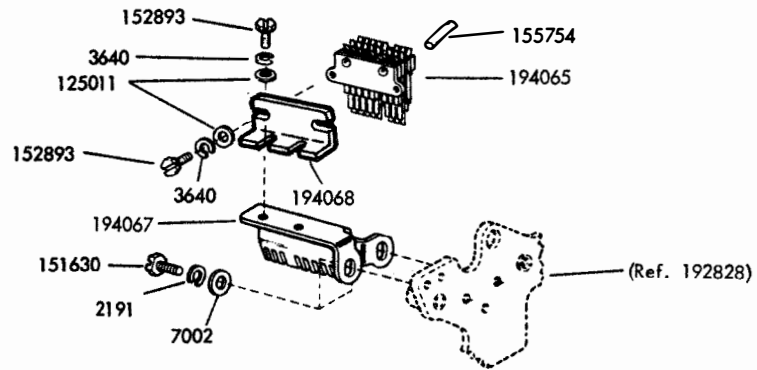


FIGURE 35. 321054 TAPE ABSENT CONTACT BRACKET ASSEMBLY



Specification 501855

FIGURE 36. 194006 MODIFICATION KIT TO PROVIDE CODE READING CONTACT

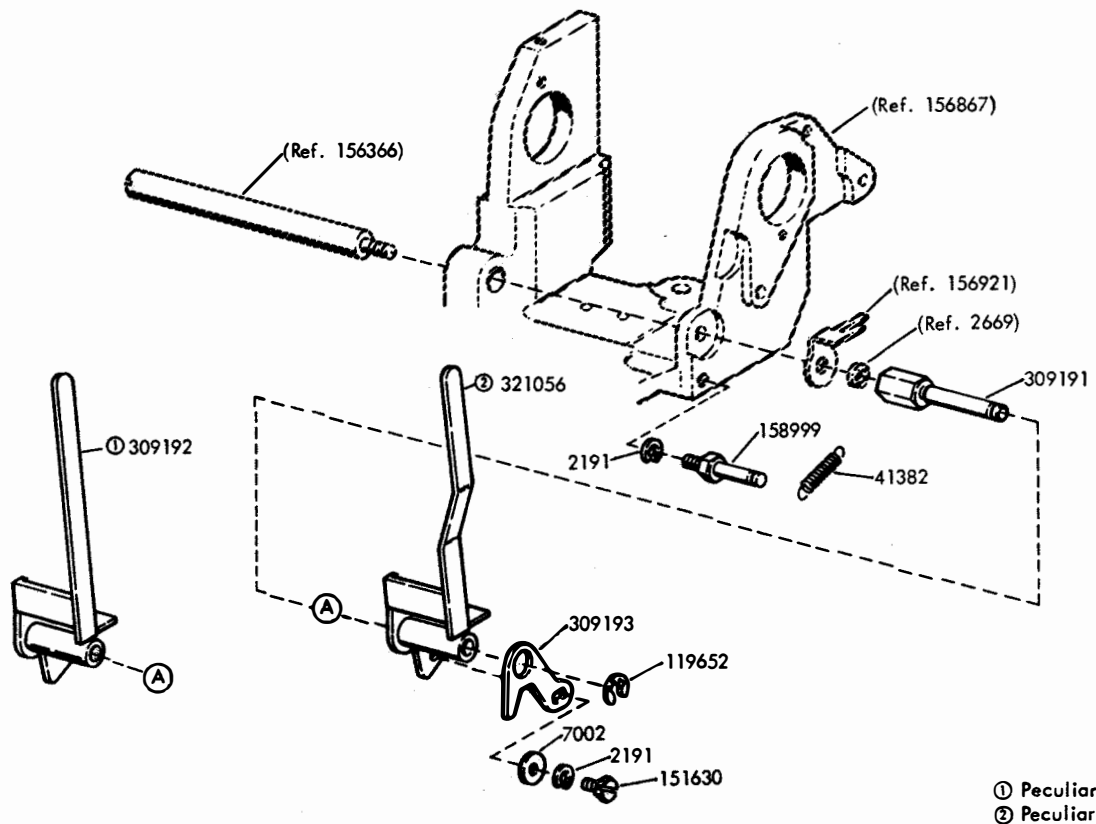


FIGURE 37. 309194 (MANUAL INTERFERING LETTERS TAPE FEED-OUT) AND 321055 (MANUAL INTERFERING RUBOUT FEED-OUT) MODIFICATION KITS

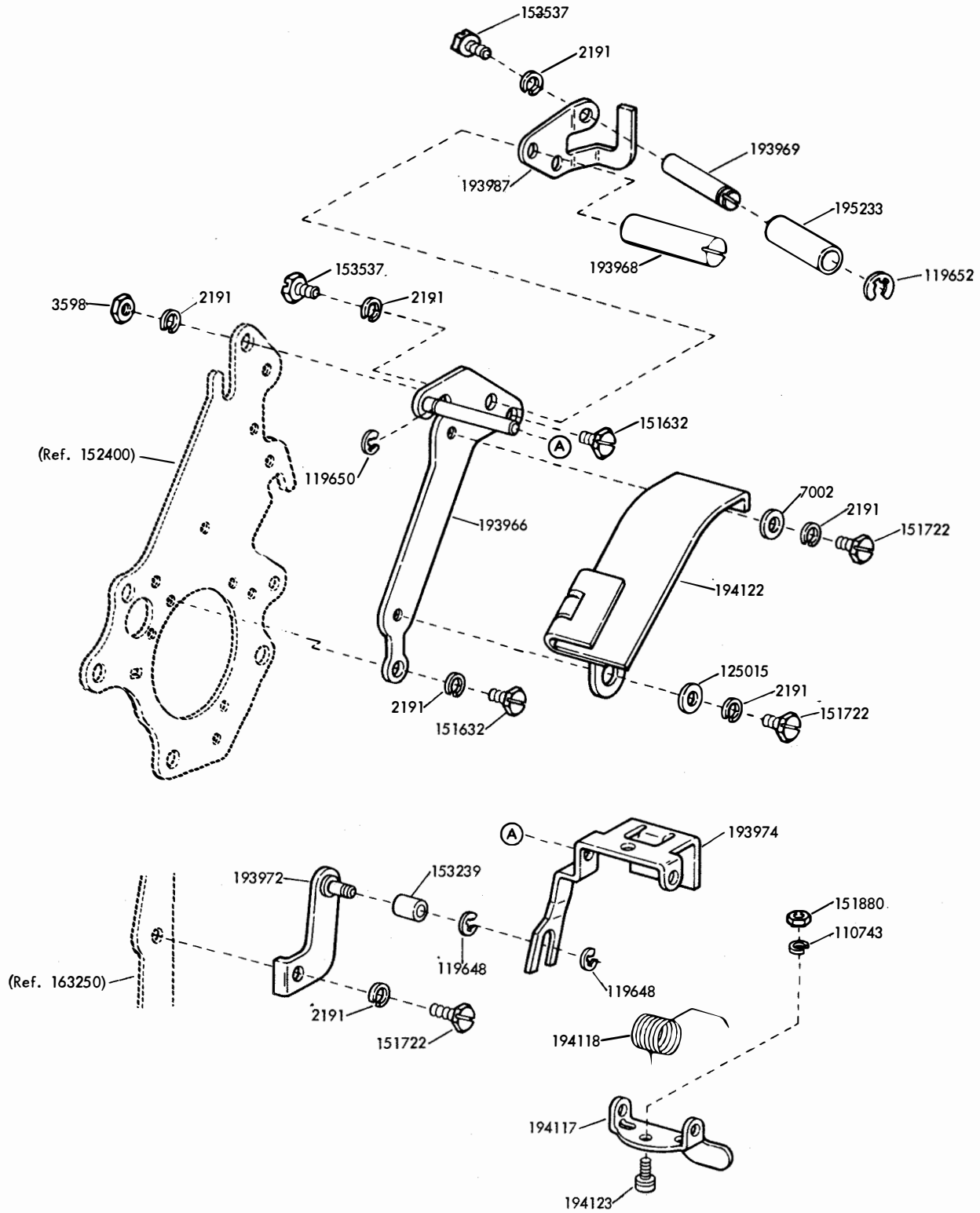
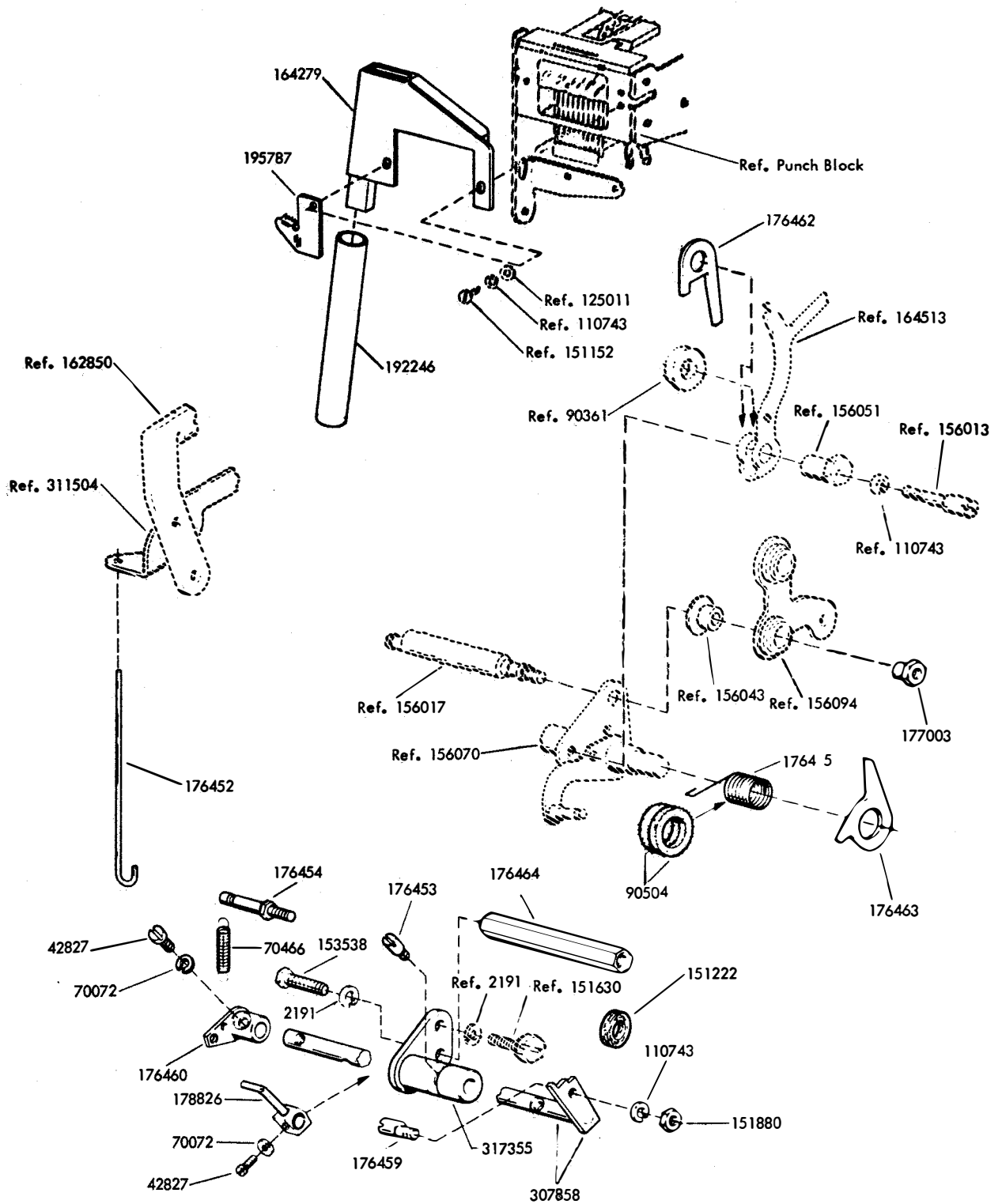


FIGURE 38. SLACK TAPE MECHANISM



Specification 50404S

FIGURE 39. 311500 MODIFICATION KIT TO PROVIDE BLANK-DELETE

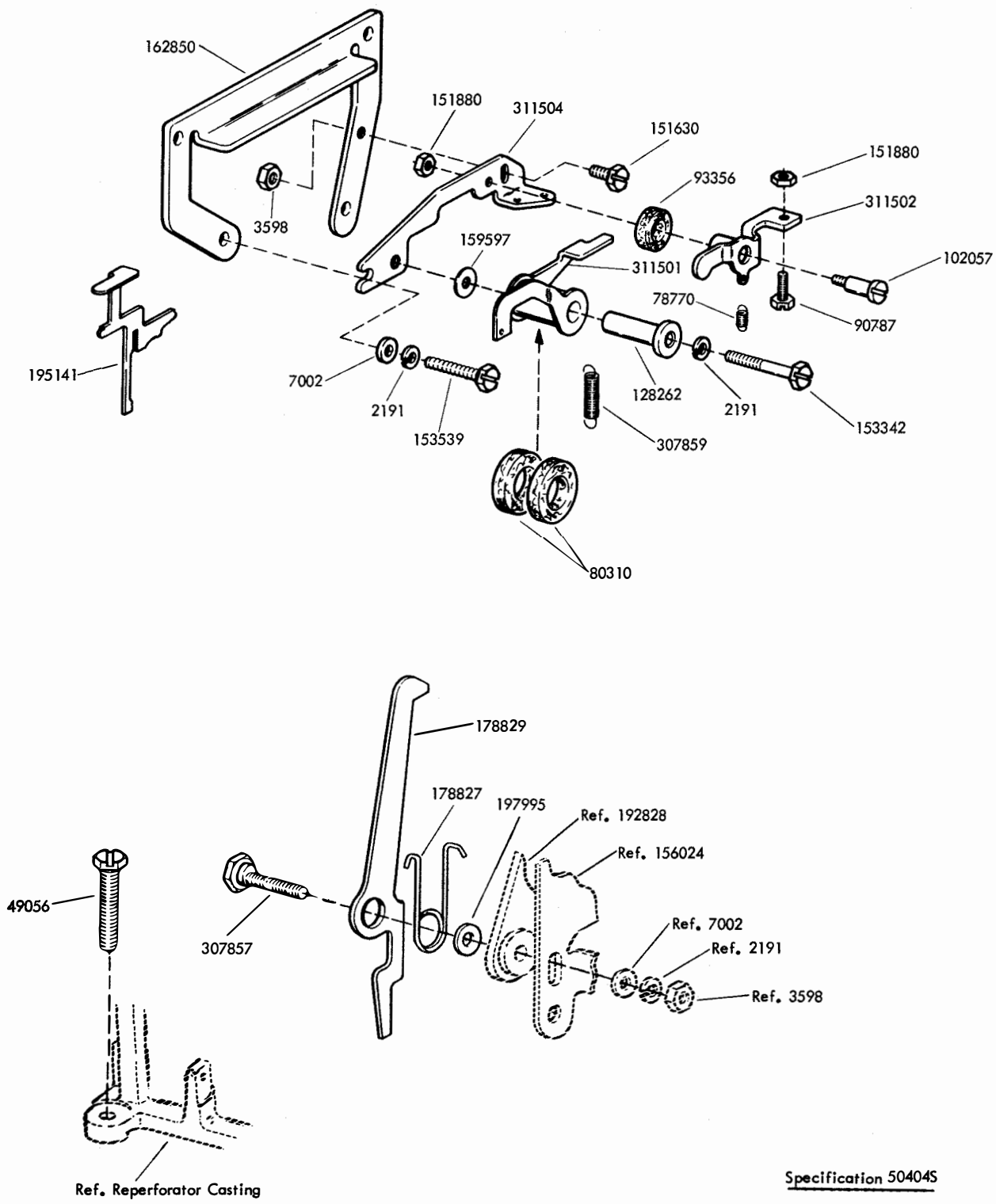
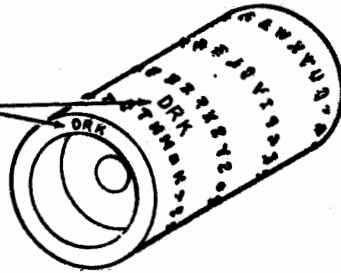


FIGURE 40. 311500 MODIFICATION KIT TO PROVIDE BLANK-DELETE
(Continued)

Typewheel Code may be found
in either of two locations.



TYPEWHEEL ARRANGEMENTS			
CODE	PART NUMBER	CODE	PART NUMBER
CRA	175800	DRG	175809
CRB	175802	DRH	175810
CRC	175804	DRJ	175811
DRA	175801	DRK	175812
DRB	175803	DRI	175813
DRC	175805	DRM	175814
DRD	175806	DRN	175816
DRE	175807	DRP	175815
DRF	175808		

FIGURE 41. TYPEWHEELS

NUMERICAL INDEX

Part Number	Description and Page Number	Part Number	Description and Page Number	Part Number	Description and Page Number
224M	Coil, Magnet 10,22, 28	45024	Spring 20	86304	Spring 27
254M	Coil, Magnet 16	45104	Spring 22,23	86506	Post, Spring 2
271M	Coil, Magnet 16	45963	Spring 24	86714	Washer, Flat 18
1028	Screw, 4-40 x 1/4 Fil 10,28	47024	Washer, Flat 11	86774	Screw, 6-40 Shoulder 11
1036	Nut, 6-40 Hex 6	49056	Screw, 10-32 x 7/8 Hex 36	86873	Spring 24
1046	Screw, 6-40 x Shoulder 19	49084	Spring 32	87401	Spring 2
1210	Screw, 2-56 x 5/8 Fil 13,32	49420	Spring 27	90361	Washer, Felt 7,35
2034	Washer, Flat 2,15,23,25, 28,30	55005	Washer, Flat 29	90504	Washer, Felt 35
2191	Lockwasher, 2 to 28,30, 31,32,33,34,35,36	55063	Spring 28	90535	Washer, Felt 12,13
2199	Nut, 7/16-32 Hex 9	55669	Spring 25	90560	Washer, Flat 20
2407	Lockwasher 9	70072	Lockwasher 35	90573	Spring 3
2438	Washer, Flat 10,16,28	70466	Spring 35	90599	Shim, .008" Thk 11
2481	Washer, Flat 31,32	70885	Washer, Spring 5	90606	Spring 2
2539	Nut, 3/8-32 Hex 24	71437	Washer, Flat 7	90615	Spring 19
2669	Lockwasher 3,14,33	71681	Spool, Ribbon 18	90787	Screw, 4-40 x 3/8 Hex 36
2836	Spring 10	72522	Wick, Felt 6	90789	Washer, Flat 15
3598	Nut, 6-40 Hex 3,4,5,6,7, 9,11,14,15,18,19,22,23, 25,28,30,31,34,36	73175	Lockwasher 24	90790	Washer, Flat 20,28
3599	Nut, 4-40 Hex 5,6,8,10, 11,12,15,16,17,22,23,24	73611	Wick, Felt 32	90791	Lockwasher 6
3603	Nut, 1/4-32 Hex 30	74199	Bushing, Eccentric 5	90951	Lockwasher 4
3606	Nuy, 6-40 Hex 10,19	74283	Washer, Spring 14	91120	Spring 6
3618	Insulator, .062" Thk 13	74727	Terminal, Contact 32	92260	Lockwasher 10,19
3640	Lockwasher 2,3,8,9,10,11, 13,19,20,21,22,23,24,27, 28,32,33	74728	Terminal, Contact 29	93108	Lockwasher 30
3647	Insulator, .094" Thk 13	76081	Washer, Flat 16	93117	Lockwasher 27,32
3870	Spring 19	76099	Washer, Flat 16	93118	Lockwasher 13
4703	Spring 22,23	76422	Spring 25	93356	Washer, Felt 2,6,36
4708	Spring 7	78533	Spring 22,23	94669	Screw, 4-40 Shoulder 6
4812	Wick, Felt 25	78770	Spring 36	96717	Screw, 4-40 Shoulder 15
5363	Spring, Compression 6	79012	Insulator 16	97516	Bushing 18
7002	Washer, Flat 2,3,5 to 11, 15,17,19,22,23,24,26,28, 29,31,32,33,34,36	79513	Plate, Contact Top 13	101123	Washer, Felt 11
7603	Spring 22,23	80310	Washer, Felt 36	101714	Spring 2,8
7655	Spring 25,31	80334	Terminal, Contact 26,31	101796	Washer, Flat 24
7835	Ribbon w/Spool, Black 18	80531	Washer, Flat 18	102057	Screw, 4-40 Shoulder 36
8330	Washer, Flat 2,3,5,6,7, 12,14,18,23,24,25,28	80755	Bushing, Insulating 26, 29,32	102999	Screw, 2-56 x 5/32 Fil 10
41382	Spring 6,14,33	81299	Bushing, Insulating 13	103078	Plate 31
41543	Bearing, Ball 30	81731	Spring 18	104807	Washer, Flat 20
41732	Plate, Clamp 26,29,32	81778	Screw, 4-40 x 3/16 Fil 16	104824	Spring 16
42823	Washer, Flat 4	82392	Shim, .004" Thk 3	110434	Screw, 4-40 x 3/16 Fil 2,14,15
42827	Screw, 3-48 x 1/4 Fil 35	82463	Spring 22,23	110437	Spring 13
		82547	Insulator, .094" Thk 26, 29,31	110743	Lockwasher 2,4,5,6,7,8,9, 11 to 18,21,23,24,25,26, 27,29,30,32,34,35
		82548	Insulator, .062" Thk 26, 29,31,32	110879	Spring 8,12,19
		84226	Spring 18,22,23	111017	Screw, 6-40 x 5/16 Fil 19, 27
		84575	Spring 28	112626	Nut, 6-40 x 5/16 Fil 9, 14
		84592	Shim, .004" Thk 25	112627	Nut, 2-56 Hex 32
		84892	Stiffener 31	112634	Spring 2
		85823	Spacer, .188" Thk 18	113039	Post, Spring 25
		86079	Washer, Felt 11,23		

NUMERICAL INDEX (Continued)

Part Number	Description and Page Number	Part Number	Description and Page Number	Part Number	Description and Page Number
113445G	Jumper, 6-1/2" Green 29	145357	Guide, Tape 6	151642	Screw, 6-40 x 3/4 Fil 24
113445O	Jumper, 6-1/2" Orange 29	145358	Bracket, Tape Guide 5	151657	Screw, 6-40 x 1/4 Fil 3, 14
113445W	Jumper, 6-1/2" White 29	150000	Drum, Clutch 4,24	151658	Screw, 6-40 x 5/16 Fil 2,3,24,30
113445Y	Jumper, 6-1/2" Yellow 29	150001	Drum, Clutch 4,28	151659	Screw, 6-40 x 1/2 Fil 24
115122	Washer, Felt 9	150013	Disk, Adjusting 4	151685	Screw, 4-40 x 5/16 Fil 24
115134	Washer, Felt 11	150026	Lever, Shoe Release 4	151686	Screw, 4-40 x 3/8 Fil 16
115941	Washer, Flat 30	150029	Wick, Felt 4	151688	Screw, 4-40 x 5/8 Fil 16, 22,29,32
119647	Ring, Retaining 6	150040	Screw, 6-40 x 5/8 Fil 4	151690	Screw, 10-32 x 5/16 Fil 3
119648	Ring, Retaining 6,14,25, 27,28,31,32,34	150043	Shoe, Secondary Clutch 4	151693	Screw, 6-40 x 9/16 Fil 4
119649	Ring, Retaining 6,9,11, 18,22,23,24,25,28,32	150044	Shoe, Primary Clutch 4	151694	Screw, 6-40 x 11/32 Fil 24
119650	Ring, Retaining 7,18,19, 34	150048	Spring 2	151700	Screw, 6-40 Shoulder 12
119651	Ring, Retaining 2,9,12, 13,18,19,23,26,27,28	150089	Screw, 4-40 x 1/2 Fil 16	151701	Spring, Torsion 15
119652	Ring, Retaining 2,3,6,7, 14,22,23,25,33,34	150241	Spring 2,4	151714	Spring 15
119653	Ring, Retaining 9,18,25	150327	Roller, Ribbon 18	151715	Spring 16
119654	Ring, Retaining 3	150355	Lever, Latch 2	151721	Screw, 6-40 x 3/4 Hex 28, 31
119655	Ring, Retaining 24	150356	Lever, Trip 2	151722	Screw, 6-40 x 3/16 Hex 5, 10,18,20,22,31,34
119656	Ring, Retaining 24	150436	Bushing 13	151728	Spring 4
121242	Clamp, 1/8 ID Cable 10,15	150687	Stud 25	151733	Screw, 4-40 x 9/16 Fil 26
121538	Terminal w/Insulator 16	150923	Washer, Felt 7	151736	Spring 2
122292	Bushing, Insulating 31	150978	Screw, 6-40 x 1-1/8 Fil 16	151737	Screw, 4-40 x 11/64 Hex 4,18,22,28,32
124177	Lockwasher 3,5,10,14	150990	Washer, Felt 8	151846	Post, Spring 9
125011	Washer, Flat 2,5,8,9,11, 12,13,14,19,21,22,23,24, 25,27,32,33,35	151073	Screw, 4-40 x 5/32 Fil 2,7,21,32	151880	Nut, 4-40 Hex 18,25,34, 35,36
125015	Washer, Flat 3,7,8,16,19, 31,34	151103	Spring 15	152400	Plate, Selector Mounting 15,16,25,30,34
125215	Screw, 4-40 x 3/16 Hex 22	151152	Screw, 4-40 x 3/16 Hex 2,9,11,13,15,17,19,20,21, 25,28,32,34	152406	Bracket, Spring 15
125231	Nut, 10-32 Hex 3	151222	Washer, Felt 7,35	152407	Lever, Spacing Lock 15
125802	Washer, Flat 18	151246	Washer, Flat 3	152409	Lever, Selecting 15
128262	Bushing 36	151336	Oiler 15,30	152411	Lever, Push 15
128357	Ring, Retaining 7,13	151362	Wick, Felt 3	152412	Link 15
130330	Washer, Felt 11	151416	Nut, 6-40 Hex 6,7	152415	Stud, Adjusting 16,30
130696	Washer, Felt 12	151442	Screw, 6-40 x 1/2 Hex 3, 9,11,15,22,28,31	152420	Lamination, Magnet 16
131016	Washer, Felt 11	151603	Spacer 16	152421	Bracket, Shield Mounting 16
138034	Plate, Clamp 32	151610	Washer, Flat 18,27	152423	Bracket, Armature Stop Mounting 16
139752	Screw, 4-40 x 11/64 Fil 2	151629	Nut, 6-40 Lug 2,7,9,20, 24,25	152425	Post, Spring 16
144793	Shaft, Eccentric 6	151630	Screw, 6-40 x 1/4 Hex 2, 6,8,9,10,12,15,18,19,24, 27,31,33,35,36	152426	Nut, 6-40 Self-Locking 16
144794	Spring, Torsion 6	151631	Screw, 6-40 x 5/16 Hex 2, 3,5,6,8,13,16,17,18,19, 20,30	152427	Latch w/Hub 14
144795	Plate, Rear 5	151632	Screw, 6-40 x 3/8 Hex 3, 4,15,17,22,23,24,32,34	152429	Rack, Sector 14
144796	Plate, Front 6	151637	Screw, 4-40 x 1/4 Fil 5,9,23,27	152438	Bail, Stop Arm 14
144797	Shaft, Feed Wheel 6			152441	Washer, Flat 14
144998	Post 6			152445	Spring, Compression 14
144999	Shoe, Tape 6				
145353	Wheel, Pressure 6				
145356	Wheel, Feed 6				

NUMERICAL INDEX (Continued)

Part Number	Description and Page Number	Part Number	Description and Page Number	Part Number	Description and Page Number
152457	Wick, Felt 15	156017	Shaft, Eccentric 7,35	156286	Shaft, Right Eccentric 8
152458	Shield, Terminal 16	156019	Washer, Felt 6	156287	Shaft, Left Eccentric 8
152634	Washer, Flat 7	156024	Plate, Rear 5,6,7,36	156288	Shaft, Exial Eccentric 12
152891	Spring 9,15	156028	Plate, Front 6,21,25,28	156289	Bearing, Left Front 8
152893	Screw, 4-40 x 1/4 Hex 2, 3,6,7,9,13,21,22,23,29, 30,32,33	156036	Guide, Tape 6	156290	Bearing, Right Front 8
153239	Roller 34	156040	Post 6	156291	Bearing, Rear 8
153267	Washer, Felt 31	156042	Post, Spacing 6	156292	Housing, Upper Axial 12
153342	Screw, 6-40 x 15/16 Hex 36	156043	Bushing 7,35	156293	Housing, Lower Axial 12
153489	Detent 14	156046	Block, Tape Guide 5	156294	Sector, Axial 11
153537	Screw, 6-40 x 9/32 Hex 34	156047	Spring, Torsion 6	156306	Rod, Right Connecting 9
153538	Screw, 6-40 x 7/16 Hex 15,31,35	156050	Stud, Eccentric 6	156311	Rod, Left Connecting 9
153539	Screw, 6-40 x 11/16 Hex 36	156051	Bushing, Eccentric 7,35	156313	Rack, Axial Output 12
153799	Screw, 4-40 x 21/64 Hex 24	156052	Shoe, Tape 6	156318	Lever, Reset 2
153817	Screw, 4-40 x 3/8 Hex 22,23,27	156054	Lever, Detent 6	156321	Shaft, Oscillating 11
153819	Lockwasher 29	156057	Washer, Flat 13	156322	Link, Axial Toggle 11
153839	Screw, 6-40 x 5/8 Hex 2,5,7,9,20,24,25,32	156058	Link, Rear 7	156366	Shaft, Rocker Bail 3,33
153841	Screw, 6-40 x 9/16 Hex 18	156060	Shaft, Eccentric 7	156369	Lever, Adjusting 11
154235	Spring 29	156061	Arm, Tape Shoe 6	156378	Plate, Axial Positioning 12
154242	Screw, 6-40 x 5/16 Hex 3	156062	Post, Pivot 6	156382	Roller, Guide 11
154349	Spring 15	156069	Plate 5	156387	Lever, Trip 2
154396	Cam w/Pin 4	156070	Bail, Toggle 7,35	156388	Lever, Adjusting 2
154397	Shaft w/Bearing 24	156077	Plate w/Post 7	156389	Gear, 16T 9
154398	Bearing, Needle 4	156089	Slide w/Insulator 5	156396	Eccentric 19
154622	Lubricator 15	156093	Washer, Felt 7	156399	Nut, 6-40 Shoulder 3
154638	Spring 19	156094	Link, Front 7,35	156403	Disk, Bearing 3
154694	Disk, Clutch Cam 4	156095	Bushing 7	156408	Arm, Clamp 9
155096	Plate, Range Finder Mounting 14	156099	Link, Rear Drag 7	156412	Link, Drive 3
155750	Sleeve, 3/32 ID x 1/2" Lg Insulating 13,16,26, 28,32	156103	Strip, Felt 7	156413	Link, Drive 19
155752	Sleeve, 5/64 ID x 1/2" Lg Insulating 13,26	156132	Bearing, Eccentric 24	156450	Screw, 2-56 x 1/2 Fil 32
155753	Sleeve, 1/8 ID x 1/2" Lg Insulating 29,32	156136	Bracket, Shaft Mounting 20,24	156462	Bail, Oscillating 11
155754	Sleeve, 1/16 ID x 1/2" Lg Insulating 33	156137	Washer, Flat 24	156465	Washer, Spring 3
155995	Screw, 6-40 Shoulder 30	156152	Shaft, Feed-Out Drive 20	156466	Rack, Typewheel 9
156009	Post, Slide 7	156162	Washer, Flat 7	156472	Post, Spring 15
156013	Screw, 4-40 Spl 7,35	156165	Washer, Felt 2,7	156484	Bracket 19
156015	Plate, Spring 5	156169	Washer, Felt 7	156488	Post, Spring 19
156016	Link, Front Drag 7	156173	Stud 5	156489	Bushing, Ribbon Guide 9
		156184	Bracket, Anchor 6	156492	Bracket, Guide 8
		156230	Stud, Lifter Pivot 19	156493	Stud 11
		156241	Link, Front 9	156501	Screw, 6-40 x 7/32 Fil 8,9
		156242	Link, Rear 9	156515	Washer, Felt 18
		156243	Roller, Lifter Arm 19	156536	Screw, 4-40 x 1/8 Fil 13,15,25
		156248	Latch 2	156558	Washer, Felt 9,22
		156257	Bracket Assembly 2,24	156572	Washer, Felt 32
		156264	Lever, Detent 8,12	156576	Washer, Felt 3
		156265	Bushing, Shoulder 12	156577	Roller, Detent Lever 6
		156266	Bushing, Shoulder 8,12	156632	Screw, 6-40 x 13/32 Hex 28
		156276	Eccentric, Right Rotary 8		
		156277	Eccentric, Left Rotary 8		
		156278	Eccentric 12		

NUMERICAL INDEX (Continued)

Part Number	Description and Page Number	Part Number	Description and Page Number	Part Number	Description and Page Number
156740	Screw, 6-40 x 7/32 Hex 6,24,26,28	159184	Wick, Lubrication 15,30	159643	Shim, .008" Thk 12
156835	Ring, Retaining 9	159185	Retainer, Wick 15,30	159654	Latch, Printing 19
156867	Frame, Main 2,20,33	159341	Bearing, Ball 3	159658	Screw, 6-40 x 1-3/32 Hex 9
156871	Bail, Operating Blade 3	159404	Post 12	159659	Shaft, Eccentric 9
156872	Blade, Operating 3	159411	Bearing Assembly 3	159804	Spring 13
156874	Screw, 4-40 x 15/16 Fil 8,12	159427	Bracket, Stop 2	159913	Screw, 6-40 Eccentric 27
156875	Screw, 6-40 x 5/32 Fil 12	159428	Retainer, Wick 25	159954	Link, Adjusting 28
156876	Bushing 3	159429	Wick, Felt 25	159955	Link, Drive 28
156877	Washer, Felt 3	159431	Lever, Main Trip 2	159956	Post 26,28
156880	Jumper, 2-3/8" Black 16	159459	Spring 17	159957	Link 28
156881	Jumper, 1-1/2" Black 16	159460	Link, Toggle 13	159960	Eccentric 28
156900	Roller 3	159467	Holder, Wick 15	159962	Ring, Retaining 28
156905	Block, Rack Guide 9	159468	Arm, Lock 13	159976	Armature 22,28
156908	Post, Sector Pivot 11	159470	Shaft, Lock Arm 13	159977	Hinge 22
156909	Post, Toggle Link 11	159480	Bushing, Eccentric 9	159978	Shaft 22
156921	Guide, Adjusting Lever 3,33	159499	Lever, No. 3, No. 4, and No. 5 Transfer 17	159994	Plate, Lifter Arm Lock 19
156922	Arm, Lock Release 13	159504	Spacer, .037" Thk 17	159995	Arm, Lifter 19
156924	Plate, Drive Link 12	159508	Lever, No. 1 and No. 2 Transfer 17	159997	Screw, 6-40 Eccentric 19
156925	Roller, Drive Link 12	159512	Link, Printing Trip 19	160087	Post, Spring 10
156931	Bracket, Hammer Mounting 9	159519	Bushing, Drive Bail 11	160180	Armature w/Extension 16
156937	Link, Printing Drive 19	159522	Bushing, Drive Bail 11	160182	Bracket w/Button 16
156938	Screw, 6-40 Eccentric Shoulder 19	159523	Bail, Oscillating Drive 11,12	160184	Plate, Stop 16
156948	Wick, Felt 11	159525	Bracket, Axial Mounting 9,11,12	160185	Post 32
156987	Screw, 6-40 Spl 3	159526	Link, Oscillating 12,19	160186	Bushing, Shoulder 16
156988	Race, Outer 3	159528	Bar, No. 5 Push 8	160404	Spring, Contact 26
156989	Bearing 3	159529	Bar, No. 3 Push 8	160583	Spring, Contact 26,29
156990	Race, Inner 3	159530	Bar, No. 4 Push 8	160626	Insulator, .031" Thk 32
156994	Strip, Felt 3	159536	Gear, 15T 9	160627	Bushing, Insulating 32
156995	Post 3	159539	Arm, Printing Pivot 19	160628	Spring, Contact 32
156998	Retainer, Roller 3	159544	Release, Clutch 2	160839	Spacer, Shoulder 3
157194	Retainer, Spring 16	159546	Spring 5	160842	Washer, Spring 24
157237	Shield, Terminal 16	159560	Bracket w/Post 22,23,32	160843	Spring 18
157252	Bushing 18	159565	Bracket w/Post 22,23,32	160846	Bushing, Shoulder 11
157261	Shaft, Stop Arm 14	159568	Bracket, Contact 32	160944	Washer, Felt 32
158171	Shaft w/Bearing 30	159570	Spring, Contact 32	160948	Screw, 2-56 Spl 6
158745	Clamp, Bearing 3	159571	Stiffener 32	160997	Roller 32
158760	Post, Spring 28	159575	Bracket, Stop 32	160998	Arm 32
158772	Screw, 4-40 x 5/8 Hex 23	159578	Bail, Front Contact 32	161100	Spring, Contact 32
158807	Screw, 3-48 x 11/64 Fil 29	159579	Bail, Rear Contact 32	161102	Spring, Contact 32
158816	Spring, Contact 26,29	159580	Shaft, Actuating Bail 32	161107	Stud 6
158881	Nut, 6-40 Shoulder 30	159597	Washer, Flat 11,36	161108	Stud 5
158947	Plate 25	159601	Bracket, Spring 32	161139	Nut, 6-40 Hex 6
158999	Post, Spring 33	159621	Screw, 6-40 Shoulder 5	161238	Connector, 36 Pt Receptacle 29
159181	Lubricator 30	159622	Clamp, Adjusting 5	161323	Housing, Gear 9
		159625	Bracket, Bail Guide 3	161324	Washer, Flat 9
		159626	Extension, Drive Link 19	161334	Lever, Stop 20
		159642	Shim, .008" Thk 8	161337	Post, Stop 20
				161338	Lever, Trip 20

NUMERICAL INDEX (Continued)

Part Number	Description and Page Number	Part Number	Description and Page Number	Part Number	Description and Page Number
161339	Lever, Hand 20	162794	Hub, Back Stop 22,23	170125	Lever, Shoe Release 4
161340	Modification Kit 1,20	162795	Ratchet 22,23	170198	Arm, Stop 14
161347	Washer, Felt 13	162796	Cam 23	170199	Bracket, Anchor 6
161431	Lever, Rotary Correcting 9	162797	Plate, Adjusting 22,23	170200	Arm, Eccentric 28
161440	Spring 12	162798	Roller 22,23	170201	Shaft w/Bearing 3,4,24
161443	Detent, Axial Shaft 12	162799	Post, Spring 22,23	170202	Post, Guide 2
161444	Detent, Rotary Shaft 8	162800	Block, Stop 22,23	170203	Lever, Slide Trip 2
162064	Cable w/Terminals 16	162802	Pawl, Detent 22,23	170204	Bracket, Spring 2
162207	Cable w/Terminals 28	162803	Post, Drive Link 23	170206	Post, Guide 7
162248	Hub 3,4	162804	Link, Drive 23	170211	Arm, Rocker 7
162350	Bail, Rocker 3,19	162809	Spring 25	170215	Spring, Punch Block 21
162741	Cam 24	162850	Handle 18,35,36	170216	Plate, Front 6,25,27
162742	Pawl, Detent 24	162862	Bar, Mounting 2,32	170217	Post 6
162743	Pawl, Feed 24	163015	Pinion 30	170218	Shaft, Feed Wheel 6
162744	Shaft 24	163018	Gear, 49T 30	170219	Stud, Die Wheel 6
162745	Lever, Cam Follower 24	163025	Gear Set, 100 WPM 30	170220	Guide, Tape 6
162747	Roller 24	163114	Post, Spring 22,23	170225	Block, Tape Guide 5
162748	Lever 24	163250	Pin 34	170230	Knob 14
162750	Lever 24	163255	Nut, 6-40 Shoulder 22,23	170231	Guide, Upper 15
162752	Collar 24	163303	Bracket, Spring 19	170232	Guide, Lower 14,15
162753	Spacer, .813" Thk 24	163326	Lever w/Hub 24	170233	Stud 14,15,25
162754	Plate 24	163327	Ring, Retaining 20,24	170234	Bracket, Guide 15
162755	Bracket, Spring 24	163429	Screw, 6-40 Shoulder 19	170235	Bracket, Spring 15,30
162756	Bushing 24	164279	Chute, Chad 20,35	170236	Lever 15
162757	Shaft 24	164386	Bracket, Magnet Mounting 16	170237	Lever, Start 15
162760	Latch 22,23	164513	Pawl, Feed 7,35	170238	Bail, Reset 15
162761	Post 23	164521	Plate w/Studs 18	170241	Screw, 6-40 Adjusting 6
162762	Storage Assembly, Slide 25	164525	Post, Spring 18	170242	Slide, Feed Hole Punch 5
162766	Plate w/Post 25	164526	Slide w/Post 18	170244	Wheel, Die 6
162768	Latch 25	164528	Bushing 17,18	170245	Wheel, Feed 6,21
162770	Plate w/Stud 25	164529	Lever, Ribbon Reverse 18	170246	Slide w/Insulator 5
162772	Link 25	164530	Bushing 18	170247	Guide 5
162773	Plate, Main 22,23,26	164531	Pawl, Check 18	170264	Post, Guide 2
162774	Post, Spring 22,23	164532	Pawl, Feed 18	170779	Wheel, Feed 6
162775	Shaft 22,23,25	164535	Shaft, Right Ribbon Ratchet 18	170788	Wheel, Die 6
162776	Plate 23	164538	Shaft, Left Ribbon Ratchet 18	170907	Plate, Adjusting 22
162778	Lever 22,23,25	164539	Spring, Compression 18	172626	Shaft 32
162780	Shaft 22,23,26	164540	Detent 18	172632	Screw, 4-40 x 3/16 Hex 4
162781	Lever 22,23	164541	Arm, Ribbon Drive 18	172639	Spring, Torsion 25
162784	Screw, 4-40 Eccentric 22, 23	164740	Rack, Range Finder 31	172984	Bracket, Spring 21
162785	Bushing, Eccentric 22,23	164743	Shaft 31	172993	Spring 21
162786	Arm, Blocking 22,23	164743	Shaft 31	173136	Spring, Contact 32
162788	Post 22,23	164851	Wheel, Feed 6,21	173137	Guard, Contact 32
162790	Lever w/Hub 23	164883	Lever, Cam Follower 24	173340	Collar 4
162791	Shaft 22,23	164888	Lever w/Post 25	173601	Cam 24
162792	Arm, Detent 22,23	164964	Washer, Felt 18	173602	Plate w/Stud 25
162793	Ratchet, 42T 22,23	164965	Washer, Flat 18	173604	Post, Spring 25
		170124	Lubricator Assembly 30	173606	Bail w/Hub 25
				173607	Lever 25
				173609	Roller 25

NUMERICAL INDEX (Continued)

Part Number	Description and Page Number	Part Number	Description and Page Number	Part Number	Description and Page Number
173614	Link w/Stud 25	177003	Nut, 6-40 Shoulder 35	192813	Plate, No. 4 Level 17
173616	Lever w/Hub 25	178178	Lever, Adjusting 18	192814	Plate, No. 5 Level 17
173618	Bail 25	178495	Feed Assembly, Ribbon 1,18	192815	Plate, Top Lever 17
173619	Bracket, Magnet 22	178535	Suppressor, Spark 10	192816	Plate, No. 6 Level 17
173620	Bail, Armature 22	178826	Arm 35	192817	Plate No. 1 Level 17
173621	Cable w/Terminals 22	178827	Spring, Torsion 36	192818	Lock 17
173691	Cam 22	178829	Arm, Blocking 36	192820	Bracket, Separator 17
173654	Spacer 9	178916	Bellcrank 27	192821	Guide, Bellcrank 2
173756	Lever, Print Hammer 9	178918	Modification Kit 1,27	192823	Guide w/Pivot 17
173775	Shaft, Typewheel 9	178919	Pawl Backspace 27	192824	Lever 17
173850	Cable w/Terminals 16	178920	Post, Eccentric 27	192825	Screw, 4-40 x 3/4 Hex 17
173977	Shaft, Print Hammer 9	178921	Plate w/Post 27	192827	Bellcrank, LTRS-FIGS 13
173978	Spring, Torsion 9	178922	Nut, 6-40 Shoulder 27	192828	Plate w/Bushing 2,5,9,13, 15,17,33,36
173979	Head, Hammer 9	178923	Bellcrank Assembly 27	192829	Plate, Front 13
173981	Accelerator, Hammer 9	178925	Ratchet, 24T 27	192831	Plate w/Stud 8,9,12,18
174439	Modification Kit 1,31	178926	Screw, 2-56 Spl 27	192832	Lifter w/Hub 19
174441	Lever w/Bushing 31	178927	Clamp, Adjusting 27	192834	Plate, No. 7 Level 17
174442	Contact Assembly 31	178930	Guard 27	192835	Bellcrank, No. 1 and No. 4 13
174444	Spring, Contact 31	178931	Post 27	192836	Bellcrank, No. 6 13
174445	Bracket, Contact Mounting 31	178932	Post, Supporting 27	192837	Bellcrank, No. 8 13
174446	Spring, Contact 31	179573	Nut, 6-40 Hex 7,24,25	192838	Spacer, Front Function Plate 8
174447	Post 31	179579	Decalomania, Arrow 18	192839	Spacer, Rear Function Plate 8
174448	Guard 31	179943	Cable 31	192841	Bellcrank, No. 2 13
174449	Bracket 31	181891	Sleeve, Insulating 32	192842	Bellcrank, No. 3 and No. 5 13
174452	Spacer, .085" Thk 31	182644	Terminal, Receptacle Type 13	192844	Plate, Rear 13,29
174650	Modification Kit 1,32	182649	Connector, 6 Pt Receptacle Type 13	192845	Guide, Bellcrank 13
175800	thru	182650	Connector, 6 Pt Plug Type 13	192846	Retainer, Bellcrank Guide 13
175816	Typewheel 37	182909	Spring 15	192847	Bracket, Spring 13
176252	Washer, Flat 3	192246	Extension, Chad Chute 20,35	192848	Bar, Contact Mounting 13
176266	Spring, Torsion 2	192493	Spring 15	192849	Bar, No. 2 Push 12
176286	Lever, Adjusting 24	192499	Cam, Selector 4	192854	Stiffener 13
176452	Rod 35	192661	Post 3	192858	Bracket, Mounting 13
176453	Screw, 3-48 Shoulder 35	192709	Link w/Hub 3	192870	Bar, LTRS Push 8
176454	Post, Spring 35	192793	Guard 32	192871	Bar, FIGS Push 8
176459	Stud, Eccentric 35	192800	Beam, No. 1 Pulse 17	192873	Frame 2,3,8,12,15,19
176460	Arm 35	192801	Beam, No. 2 Pulse 17	192875	Link, Blocking 21
176462	Extension, Feed Pawl 35	192802	Beam, No. 3 Pulse 17	192876	Screw, 4-40 x 21/32 Hex 17
176463	Latch 35	192803	Beam, No. 4 Pulse 17	192877	Bushing, Guide 9
176464	Post 35	192804	Beam, No. 5 Pulse 17	192882	Lever, Ribbon Oscillator 11
176465	Spring, Torsion 35	192805	Beam, No. 6 Pulse 17	192883	Guide, Ribbon 9,21
176489	Guide 2,3	192806	Beam, No. 7 Pulse 17	192897	Block Assembly, Punch 21
176490	Bracket w/Hubs 2,15,24	192807	Lever, No. 7 Pulse 17	192899	Bracket, Magnet Mounting 10
176491	Bracket Assembly 2	192808	Lever, No. 5 Pulse 17		
176620	Cable 26	192809	Beam, No. 8 Pulse 17		
176622	Bail w/Hub 26	192811	Plate, No. 2 Level 17		
176623	Bracket, Mounting 26	192812	Plate, No. 3 Level 17		
176640	Guard, Tape 15				
176647	Latch w/Hub 28				

NUMERICAL INDEX (Continued)

Part Number	Description and Page Number	Part Number	Description and Page Number	Part Number	Description and Page Number
192901	Link, Block Ribbon Shift 10	194916	Bracket, Stop 2	197093	Blade, Function 29
192908	Armature, Magnet 10	194944	Spring 17	197095	Blade, Function 29
192922	Housing, Typewheel Shaft 9,10	194982	Clip, Connector 29	197995	Washer, Flat 36
193639	Lever w/Shaft 24	195004	Modification Kit 1,26	198166	Bracket, Magnet 10
193733	Cover, Contact 13	195005	Contact Assembly 26	198298	Cover, Contact 29
193734	Bushing, Ribbon Guide 9	195101	Sleeve, 5/32 ID x 3/8" Lg Insulating 13	198504	Bracket, Connector 29
193749	Modification Kit 1,22,24, 25	195102	Sleeve, 5/32 ID x 7/32" Lg Insulating 13	199403	Screw, 4-40 Shoulder 25
193753	Strap, Contact 13	195103	Damper 13	199404	Cable 29
193755	Cover, Magnet Coil 10	195141	Blade, Function 29,36	199506	Gasket 21
193756	Cable w/Terminals 13	195149	Lubricator Assembly 15	199825	Bail w/Hub 25
193770	Chute, Chad 21	195215	Plate, Lifter Mounting 19	199859	Bushing 24
193804	Armature 28	195233	Roller 34	304532	Spring 24
193821	Bracket w/Post 28	195240	Post 16	304543	Plate, Corrector 12
193822	Clamp 28	195251	Armature, Selector 16	304913	Bracket, Guide 8
193824	Latch w/Hub 28	195274	Spacer, .014" Thk 17	305638	Bracket, Guide 7
193869	Bracket, Guide 25	195284	Ring, O 9	307857	Screw, 6-40 Eccentric Shoulder 36
193875	Plate, Trip 24	195296	Screw, 4-40 x 1/2 Hex 10	307858	Lever 35
193876	Lever, Trip 24	195435	Frame 30	307859	Spring 36
193877	Latch 2	195619	Shaft, Backspace 27	309191	Post 33
193878	Lever, Slide Trip 25	195620	Modification Kit 1,27	309192	Lever w/Hub 33
193879	Bar, No. 1 Push 12	195621	Modification Kit 1,28	309193	Plate 33
193966	Bracket w/Stud 34	195622	Cable Assembly 13	309194	Modification Kit 1,33
193968	Post 34	195627	Guide, Tape 27	309697	Modification Kit 1,23,24, 25
193969	Post 34	195628	Guide, Tape 18	311445	Spring, Contact 13
193972	Extension w/Stud 34	195634	Modification Kit 16	311446	Spring, Contact 13
193974	Depressor, Tape 34	195785	Post 5	311447	Spring, Contact 13
193987	Bracket, Roller 34	195786	Arm, Blocking 5	311448	Contact Assembly 13
194065	Contact Assembly 33	195787	Retainer, Chad Chute 20, 35	311492	Screw, 2-56 Spl 13
194066	Modification Kit 1	195806	Guide, Tape 15	311500	Modification Kit 1,35,36
194067	Bracket, Mounting 33	195825	Extension, Chad Chute 20	311501	Lever, Sensing 36
194068	Bracket, Contact 33	195827	Cable Assembly 13	311502	Lever, Operating 36
194117	Plate, Clamp 34	195863	Connector, 2 Pt Recep- tacle 32	311504	Bracket 35,36
194118	Spring, Torsion 34	195864	Terminal 32	311516	Post 10
194122	Platform w/Guide Tape 34	195878	Guide, Ribbon 9	317355	Plate 35
194123	Screw, 4-40 Spl 34	195879	Link, Block 10	320285	Lifter w/Hub 19
194162	Bail, Reset 7,25	195880	Retainer, Link 10	320287	Stud 19
194164	Bearing, Ball 24,25	195881	Link, Accelerator Blocking 9	320410	Terminal, Spade Type 10, 13, 16, 22
194168	Lever, Cam Follower 24	195881	Link, Accelerator Blocking 9	320418	Terminal, Ring Type 13, 28
194179	Bearing, Eccentric 24	196932	Sleeve, 7/16 ID x 1-1/4" Lg Insulating 10	321054	Modification Kit 1,32
194180	Cam 24	197067	Contact Assembly 29	321055	Modification Kit 1,33
194181	Camsleeve, Feed-Out 24	197072	Bracket, Contact 29	321056	Lever w/Hub 33
194197	Spring, Torsion 25	197090	Blade, Bell Function 29	321057	Cable Assembly 32
194236	Modification Kit 1,9,10, 21	197091	Blade, Function 29	321058	Guard, Tape 32
194915	Bracket, Stop 18	197092	Blade, Function 29	321059	Guide, Cable 18
				321060	Bail, Sensing 32
				323070	Cam 4
				323665	Hub 3