

Bulletin No. 1082
Issue 2
November, 1942

TELETYPE

PRINTING TELEGRAPH SYSTEMS

PARTS
TYPING REPERFORATOR
(MODEL 14)



CORPORATION

SUBSIDIARY OF

Western Electric Company

CHICAGO, U.S.A.

NOTE: FOR PARTS OF TYPING REPERFORATORS OTHER THAN
14-F SPECIAL, SEE PAGES 1 TO 29 INCLUSIVE.
FOR PARTS OF 14-F SPECIAL TYPING REPERFORATOR
SEE PAGES 30 TO 35 INCLUSIVE.

ALPHABETICAL INDEX

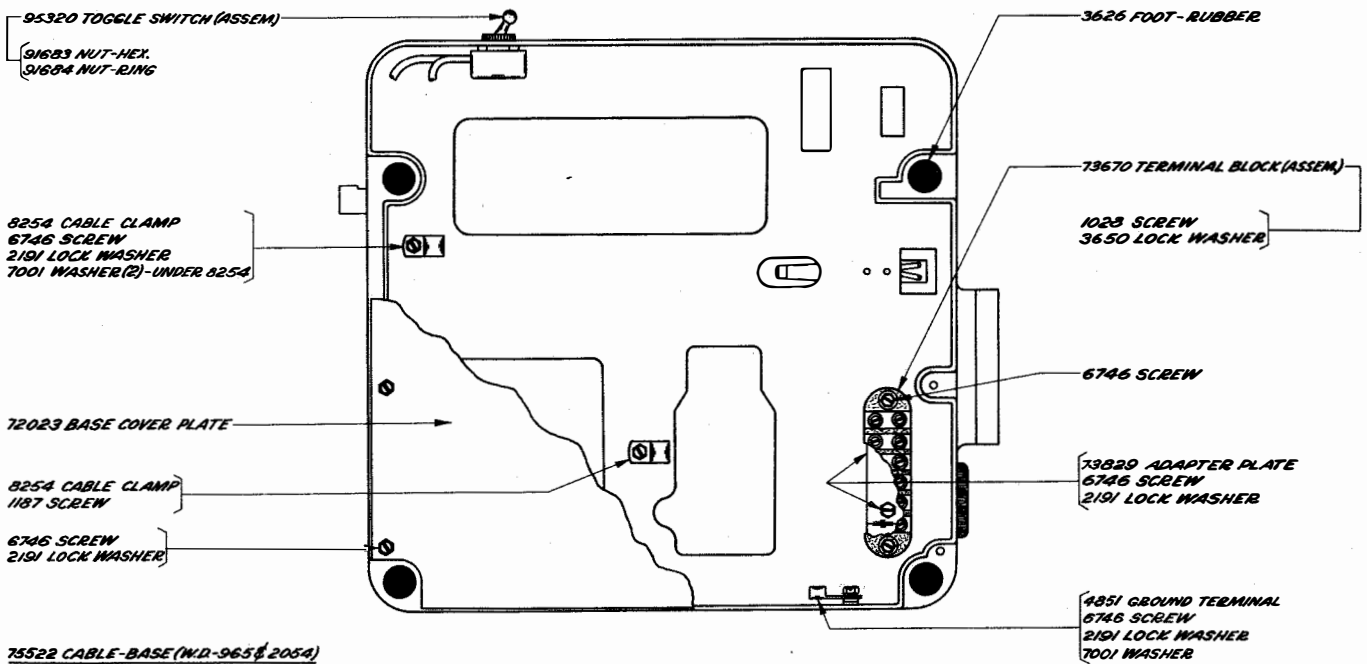
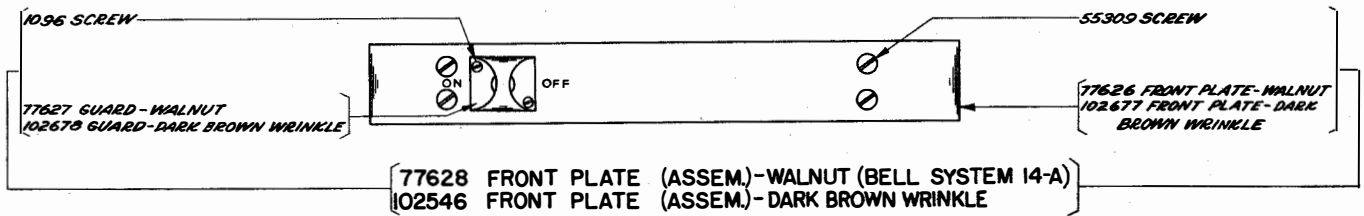
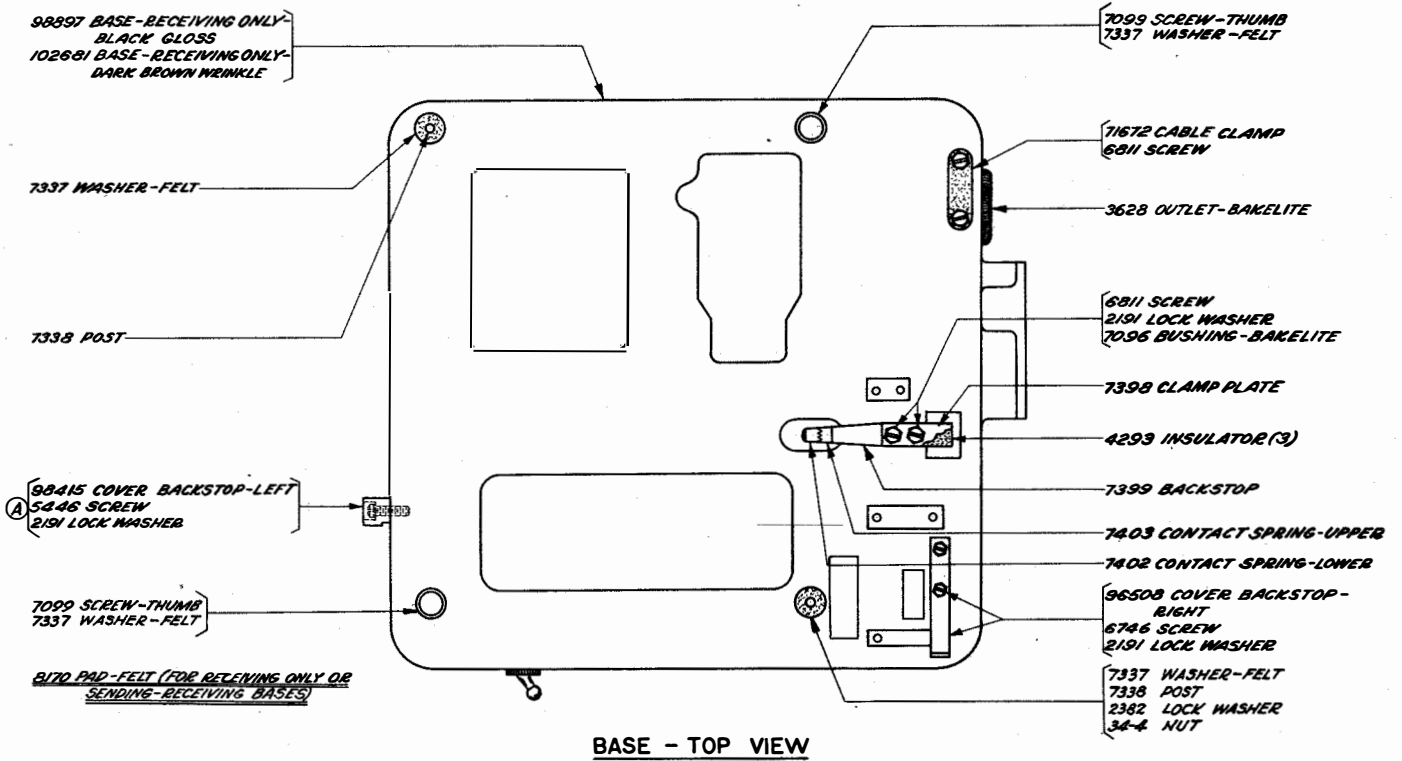
	<u>Page</u>
Base Cover Plates	1,3
Base Plates	9,31
Base (Receiving-Only)	1
Base (Sending-Receiving) - Top View	2
Base (Sending-Receiving) - Bottom View	3
Bell Cranks	11
Bell Parts.	5,10
Cables.	1,6,21,25,28,34
Cable Clamps.	1,2,3,31
Cam Sleeve - Main Shaft	18
Cam Sleeve - Keyboard Shaft	5
Center Contact Governor (Assem.)	26
Clutch Lever	18
Code Bars.	27
Code Name Plates	8
Condensers	8,29
Connecting Block and Cord (Assem.)	10
Connecting Block (Assem.)	6
Contact Mounting (Assem.)	4
Contact Spring (Assem.) - Pull Bar Operated	32
Cords (Assem.)	8,31
Counter Unit (Assem.)	28
Cover (Assem.)	22
Cover Backstops.	1,2
Cover Plates	22
End-of-Line Indicator Parts.	28
Feed Roll	12
Filters Units	29
Front Plates	1
Function Bars.	27
Gears.	5,10,14,16,18,24,25
Governed Motors.	25
Governor Parts	26
Governor Brush and Speed Adjusting Bracket (Assem.)	26
Guards	1,5,9,21,24,25,32
Key and Switch Unit.	2

II
(B-1082)

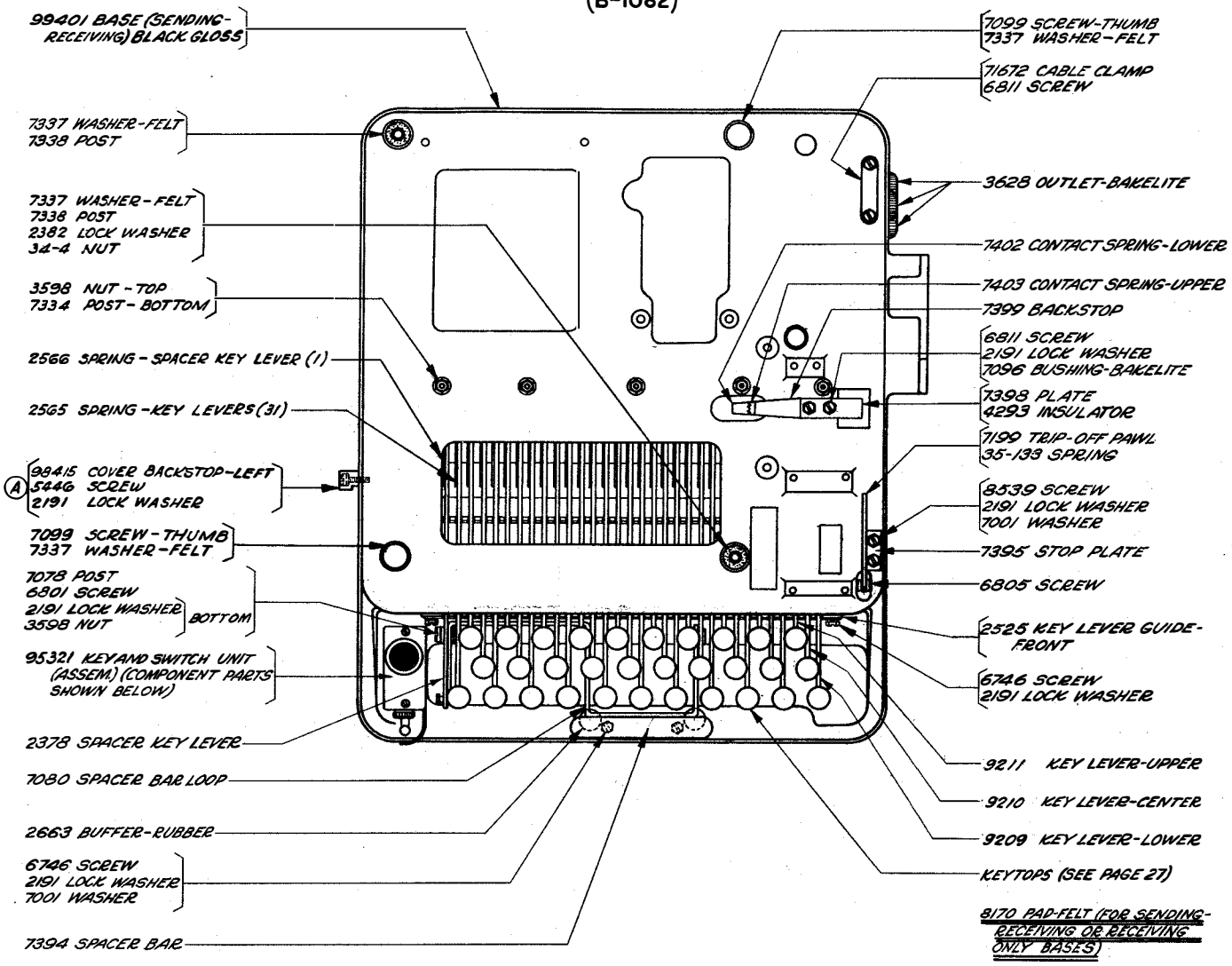
	<u>Page</u>
Keyboard Shaft	5
Key Levers	2
Keytops	27
Line and Selector Jack (Assem.)	29
Line Cord (Assem.)	31
Line Unit (Assem.)	6
Line Relay Filter Unit (Assem.)	29
Line Test Key	6
Links	11
Magnets	20,34
Main Bail	14,15
Main Bail Bracket (with Roller Guides)	14
Main Bail Bracket (with Guide Post)	15
Main Bail Lever	19
Main Shaft	18
Main Shaft Bracket	18,19
Miscellaneous Sets of Parts	38
Motors	24,25
Motor Mounting Plate	9
Name Plates	22,24,25
Notes of Explanation	36,37
Numerical Index	39
Pad - Base	1,2
Pads - Cover	22
Pinions	24,25
Platen	9
Platen Shift Contact (Assem.) - "Figure Make" (with Double Contact)	34
Platen Shift Contact (Assem.) - "Letters Make" (with Double Contact)	34
Platen Shift Parts	9
Power Cord (Assem.)	8,31
Pull and Function Bar Springs	27,33
Pull Bars - Standard	27
Pull Bars (all Metal) - Contact Operating	33
Punch Arm	11
Punch Bail	11
Punch Blocks (Assem.)	12,13
Punch Unit (Assem.)	12
Punch Unit Parts	11,12
Range Scale (Assem.)	21
Relay Base	6
Relay Bracket	6

III
(B-1082)

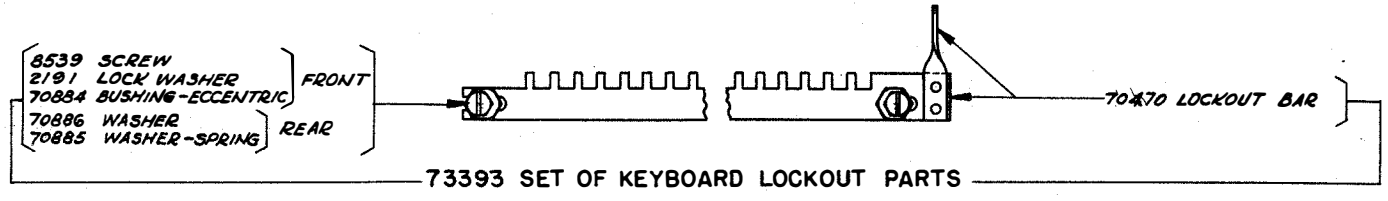
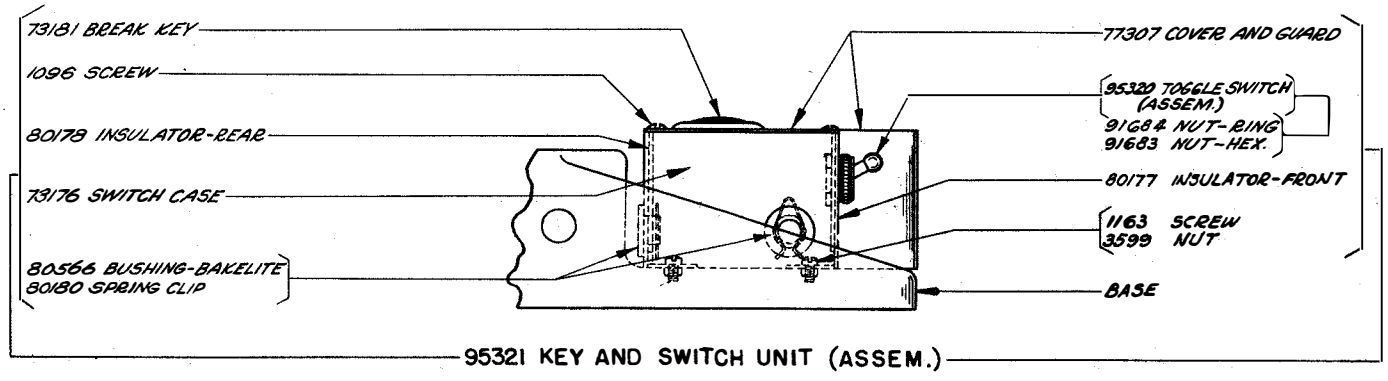
	<u>Page</u>
Resistance Mounting Blocks	7
Resistance Unit (Assem.)	8
Resistors	6,21,25,29
Ribbon Feed Mechanism	16
Ribbon Spool	16
Ribbon Reverse Shaft	14
Selector Bars	3
Selector Fingers	11
Selector Unit	20
Series - Parallel Switch Bracket (Assem.)	21
Set of Cabinet Mounting Parts.	31
Set of Keyboard Lockout Parts.	2
Set of Mechanical End-of-Line Indicator Parts.	28
Set of Motor and Gear Parts (for 368 o.p.m.)-(with Synchronous Motor).	24
Set of Motor and Gear Parts (for 460 o.p.m.)-(with Synchronous Motor).	24
Set of Motor and Gear Parts (for 368 o.p.m.)-(with Governed Motor)	25
Set of Motor and Gear Parts (for 460 o.p.m.)-(with Governed Motor)	25
Set of Parts for Mounting Pull Bar Contact Spring Assemblies	32
Set of Tape Reel Parts	23
Slip Connection Strip (Assem.)	7
Synchronous Motors	24
Tape Backspaceer Parts.	13
Tape Chute	12
Tape Feed-Out Parts.	21,34
Tape Feed-Out Magnet (Assem.)	34
Tape-Out Parts	5
Tape Platform	9
Terminal Block (Assem.)	1,7
Toggle Switches	1,2,21
Tool (For Cleaning Punch Block)	12
Transmitter (Assem.)	4
Transmitting Contacts Filter Unit (Assem.)	29
Type Bars	27
Type Bar Backstop (Assem.)	17
Type Bar Pallets	27
Type Bar Segment	17
Universal Bar	3
Universal Contact Mechanism (Assem.) (with Double Contact)	35
Wave Shaper (Assem.)	29



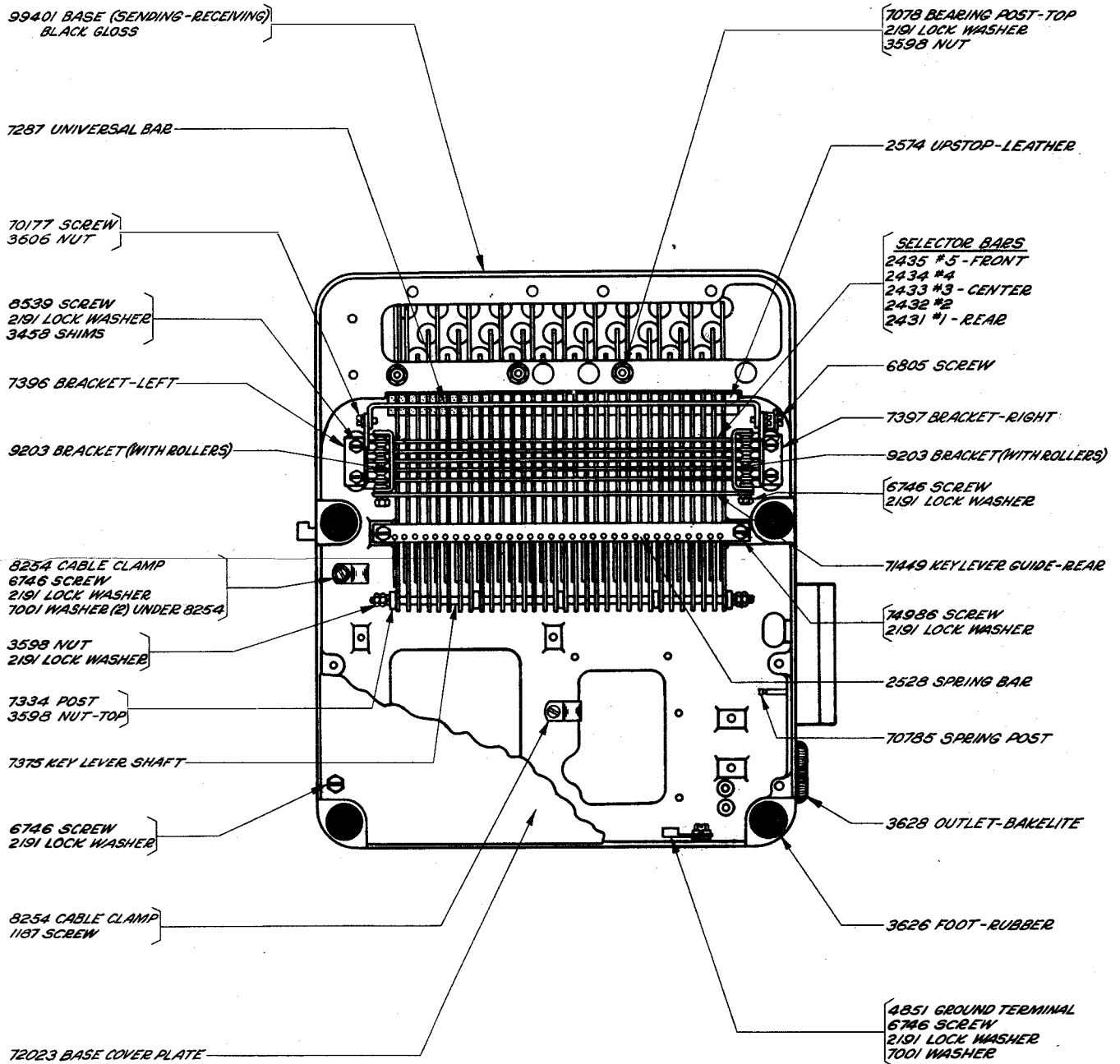
(A) SEE PAGE 36 FOR NOTES OF EXPLANATION.



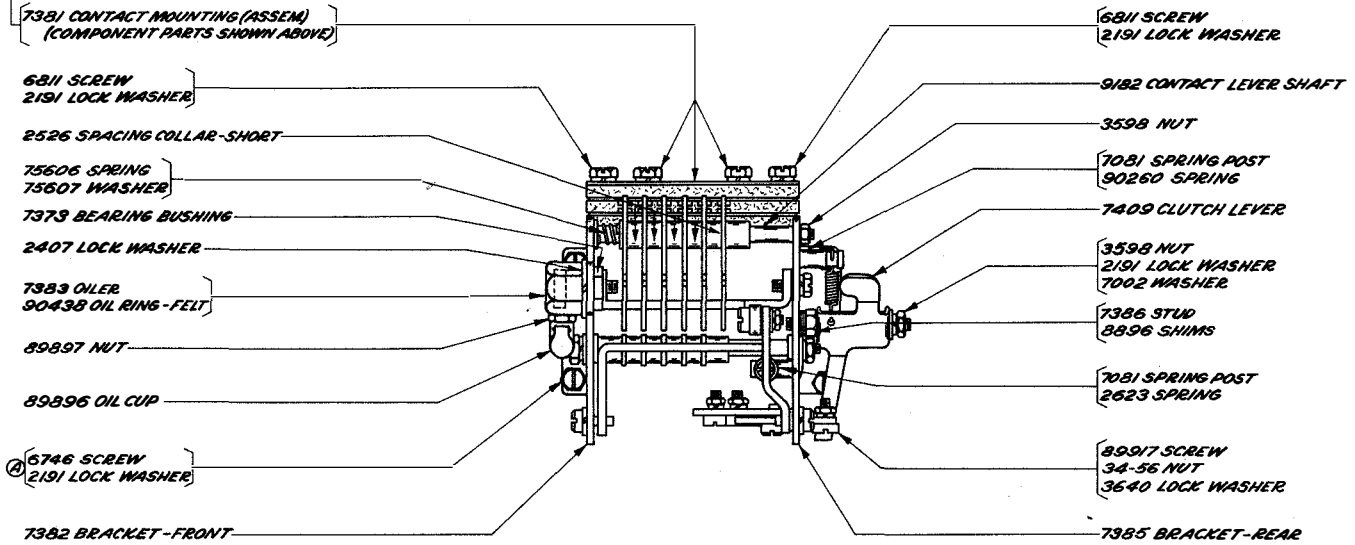
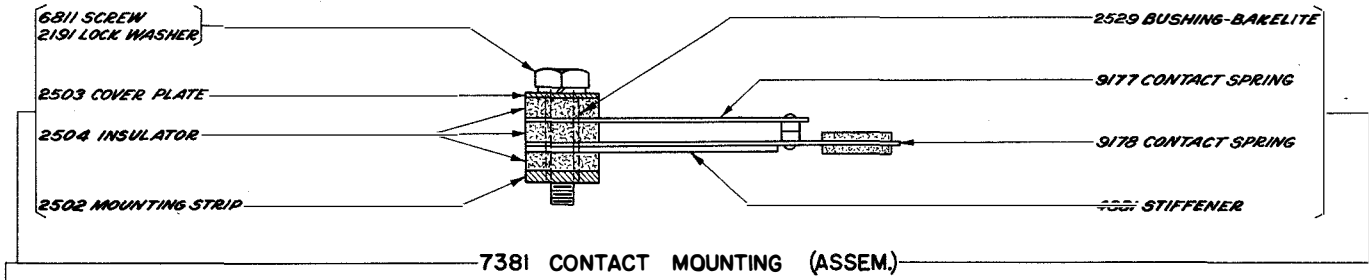
BASE - TOP VIEW



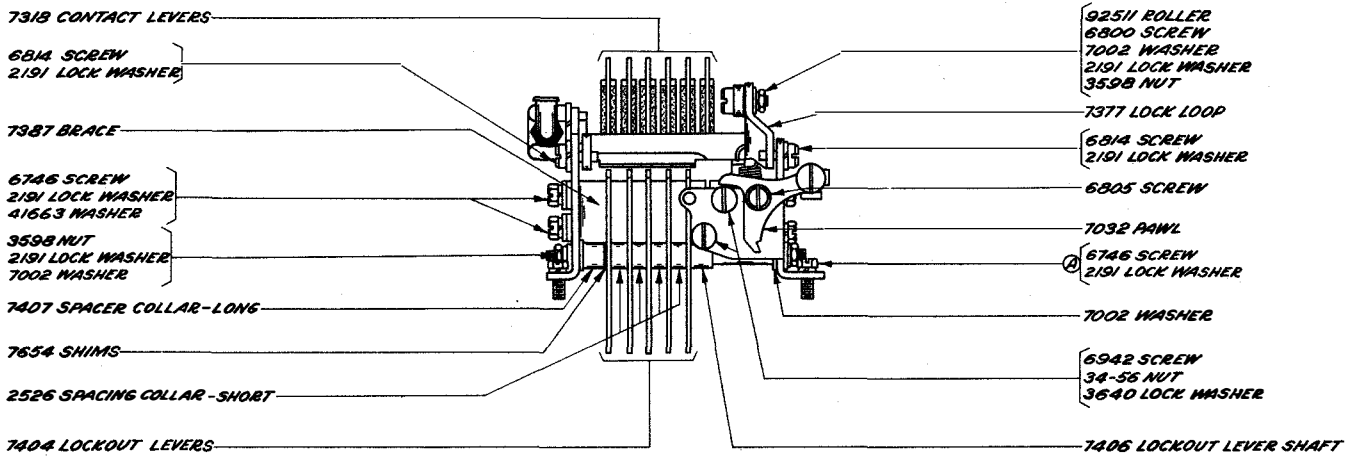
(A) SEE PAGE 36 FOR NOTES OF EXPLANATION.



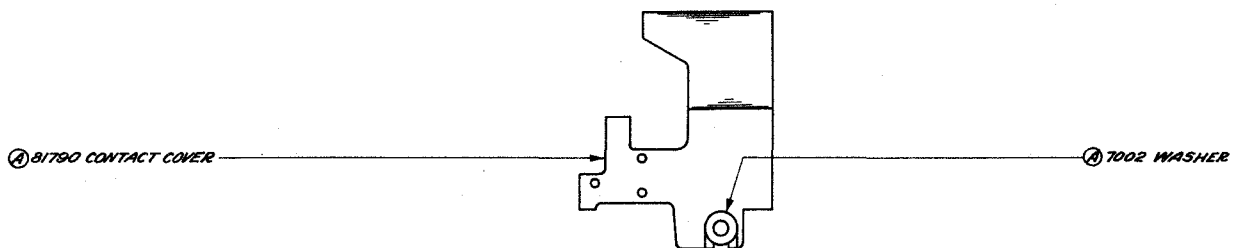
BASE - BOTTOM VIEW



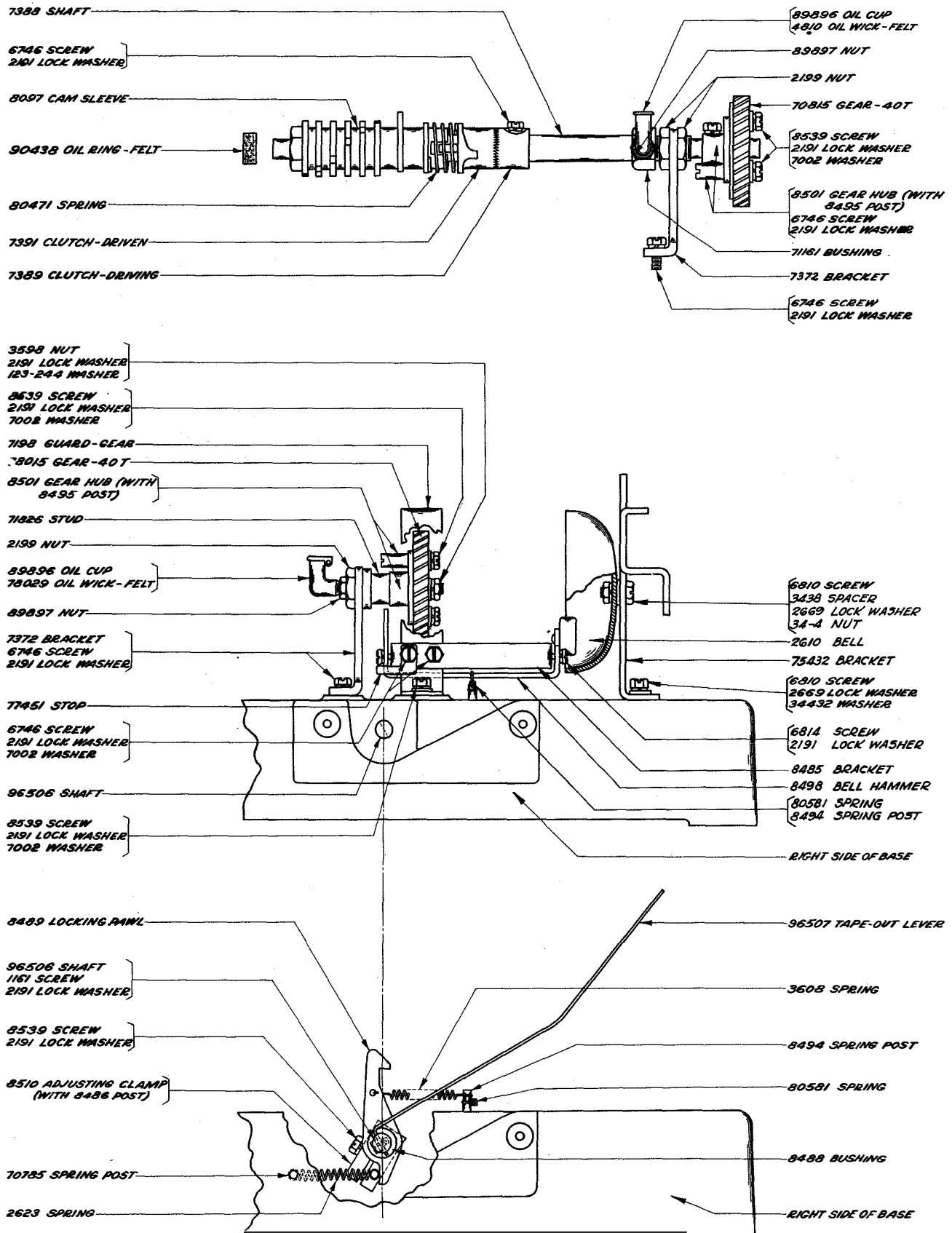
TOP VIEW

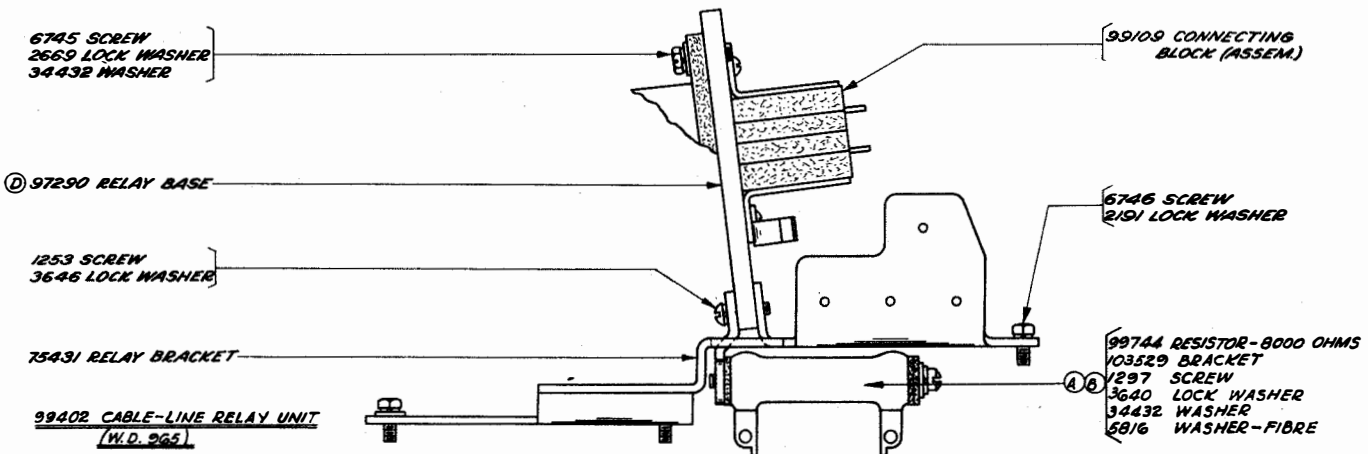
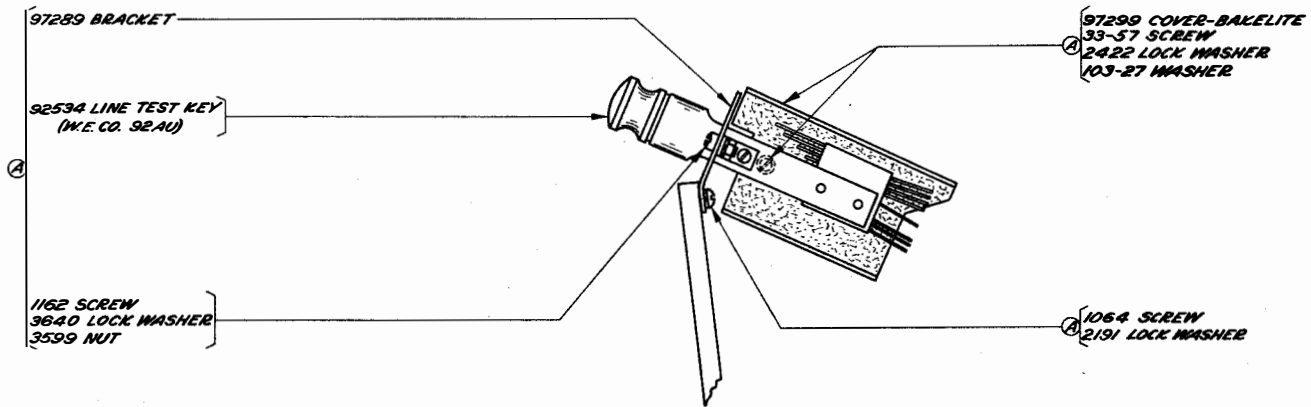
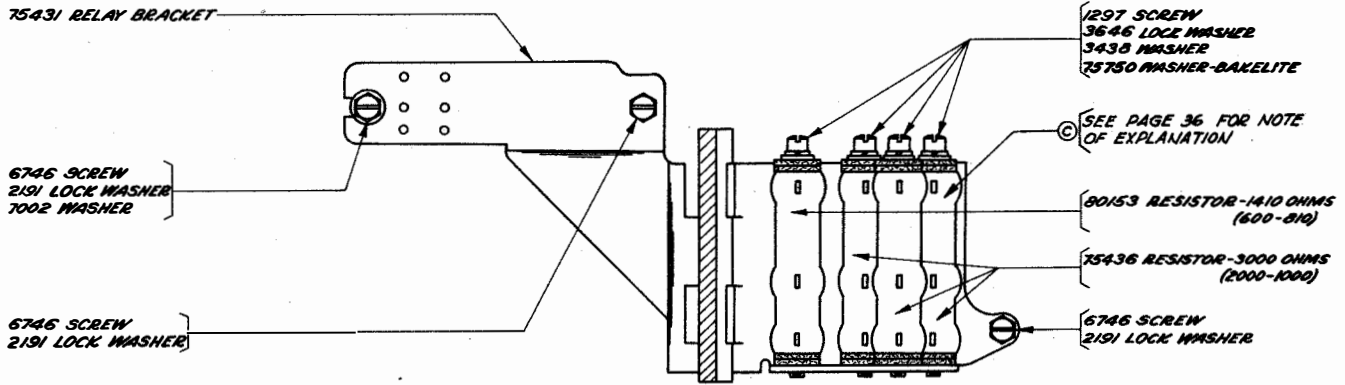


RIGHT END VIEW



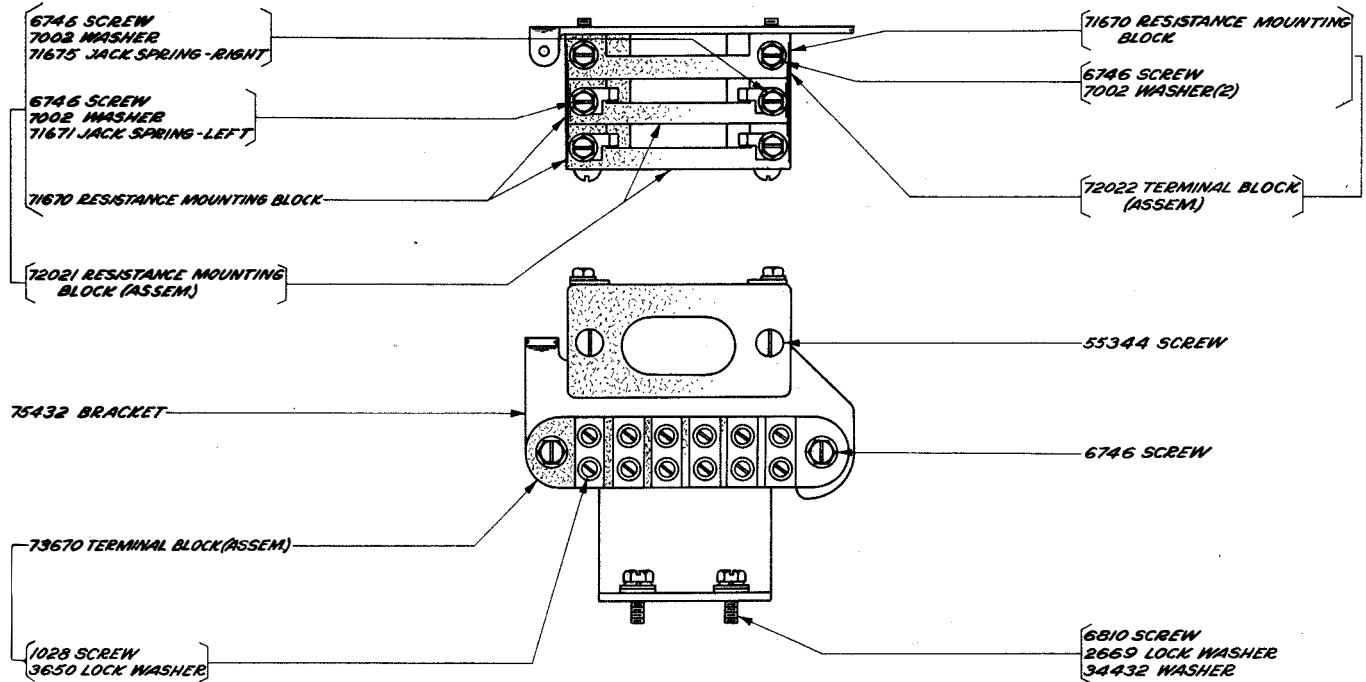
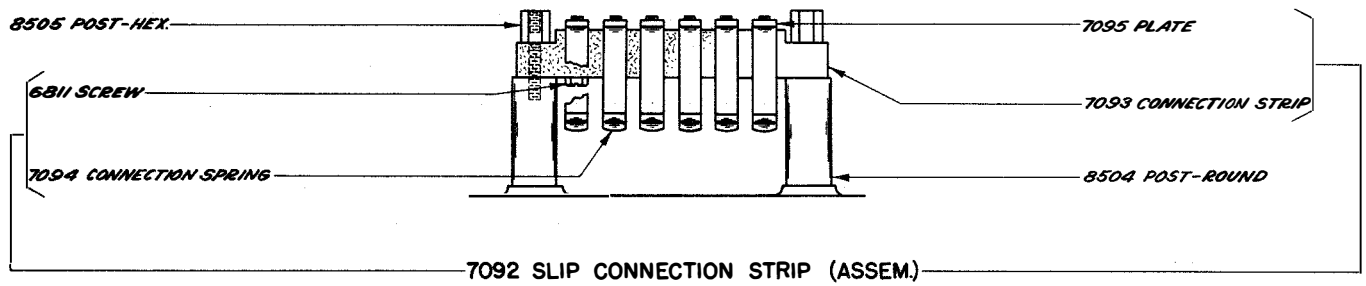
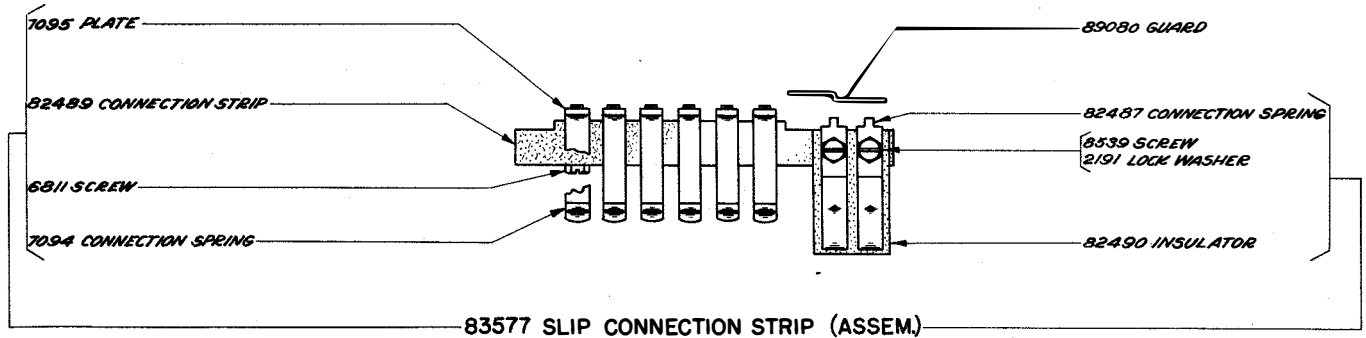
7380 TRANSMITTER (ASSEM.)
(EXCLUDES PARTS MARKED (A))

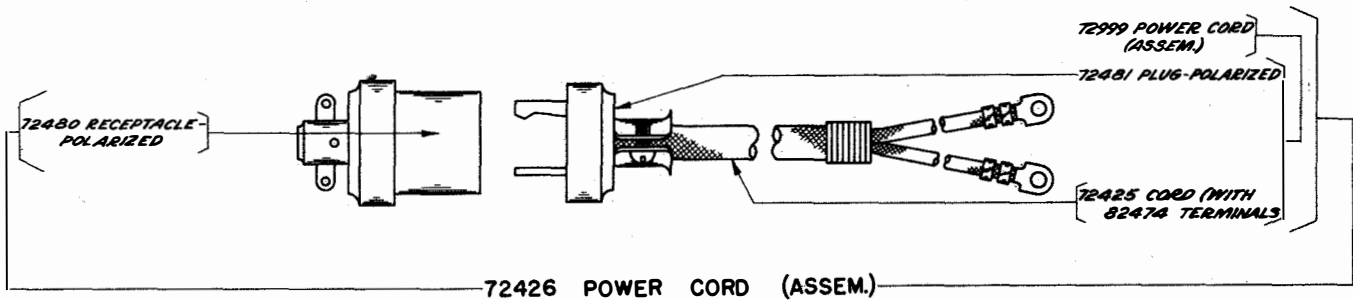
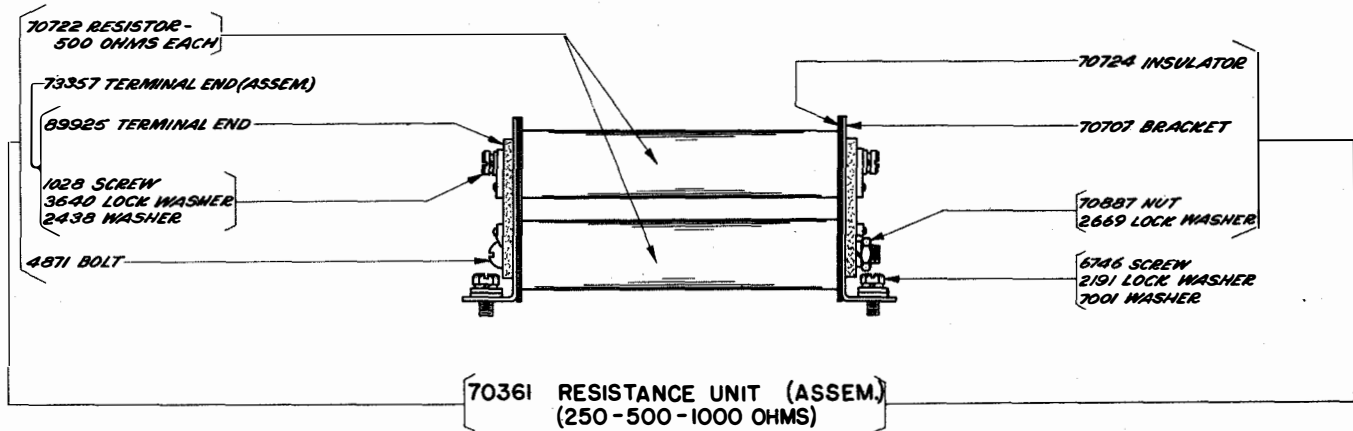
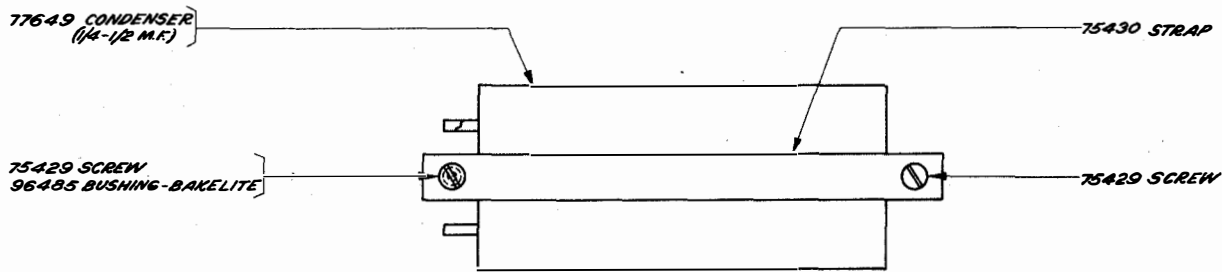




99408 LINE RELAY UNIT (ASSEM.) (WITHOUT LINE TEST KEY)
(EXCLUDES PARTS MARKED (A))

99409 LINE RELAY UNIT (ASSEM.) (WITH LINE TEST KEY)
(INCLUDES ALL PARTS SHOWN ON THIS PAGE
EXCEPT THOSE MARKED (B))





CODE NAME PLATES		SCREWS
DESCRIPTION	PART NUMBER	PART NUMBER
14-M TYPING REPERFORATOR BASE	98775	83408
14-N " " " "	98774	83408
14-F SPL TYPING REPERFORATOR UNIT	98755	83408
14-M TYPING REPERFORATOR UNIT	98751	83408
14-N " " " "	98752	83408
14-P " " " "	98753	83408
14-R " " " "	98754	83408
14-S " " " "	98758	83408
14-T " " " "	98757	83408
14-U " " " "	98758	83408
14-W " " " "	98759	83408

98873 BASE PLATE (WITH FEET)

FOR MOTORS SEE PAGES 24 & 25

6745 SCREW
93160 WASHER
2669 LOCK WASHER
71047 SHIM

6810 SCREW

97294 GUARD-GEAR

6732 MOTOR MOUNTING PLATE

6810 SCREW

72739 GUARD (SEE PAGE 24)
72738 GUARD (SEE PAGE 25)

6800 SCREW

72595 SPRING

123-308 SPRINGS CLIP

75687 BEARING

6810 SCREW

71686 SHIFT ROCKER LEVER

1026 SCREW
2191 LOCK WASHER
8330 WASHER

8461 POST
2191 LOCK WASHER
3698 NUT

7386 STUD
3598 NUT
2191 LOCK WASHER
7002 WASHER

33-224 SCREW
71695 BUSHING

6805 SCREW

95466 GUIDE PLATE

71980 ROLLER
71982 BUSHING
71981 RIVET

6746 SCREW
2191 LOCK WASHER

95409 SHIFT LEVER

8465 BELL BRACKET
(SEE PAGE 10)

8448 LOCKOUT LEVER
(WITH ROLLERS)

8462 ADJUSTING LEVER

95430 SPRING

6746 SCREW
2191 LOCK WASHER
7002 WASHER

35-68 SPRING

96839 TAPE PLATFORM

95442 STUD
34-1 NUT
2449 LOCK WASHER

6746 SCREW
2191 LOCK WASHER
86361 CLAMP

95406 BELL CRANK
1172 SCREW

95478 SPRING

6799 SCREW

95476 PLATEN
(WITH 103538 INSERT)

6746 SCREW
3438 WASHER

95477 PLATEN BLOCK
73619 SHIM

71970 SHIFT ROCKER

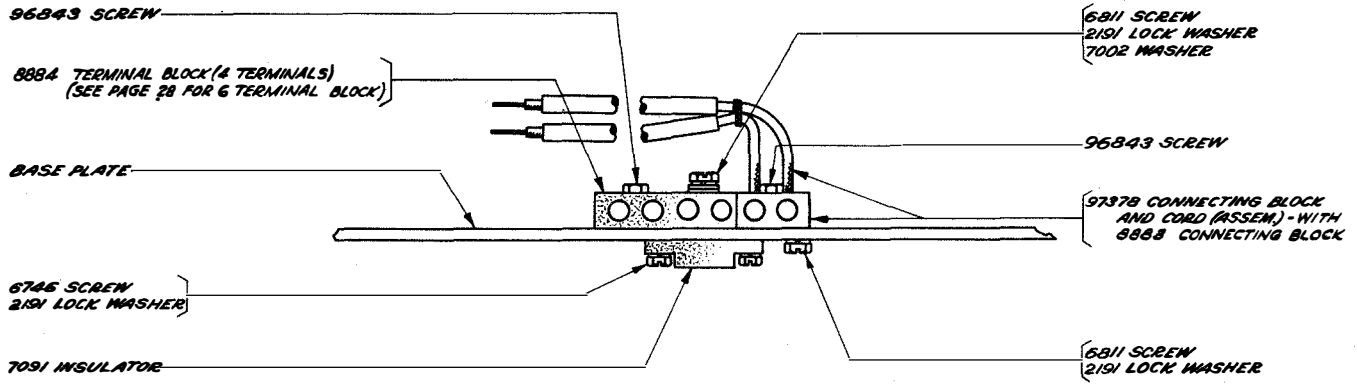
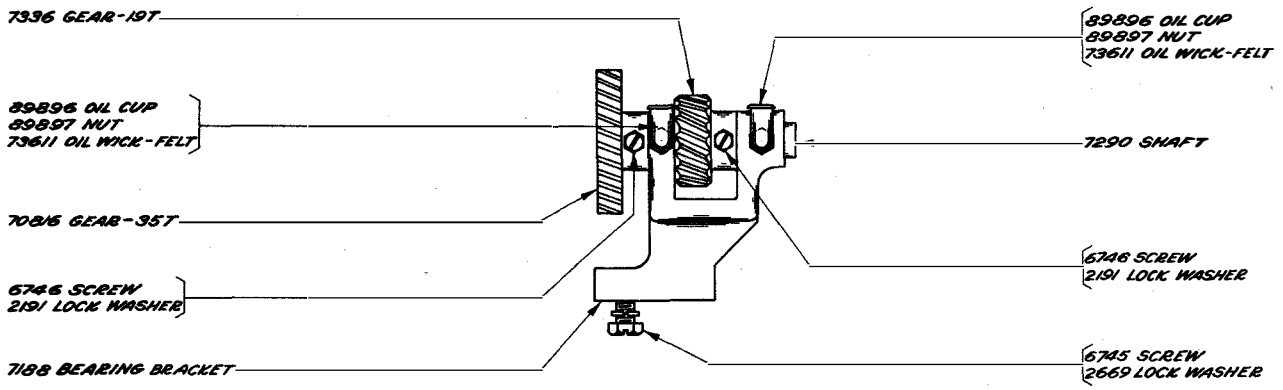
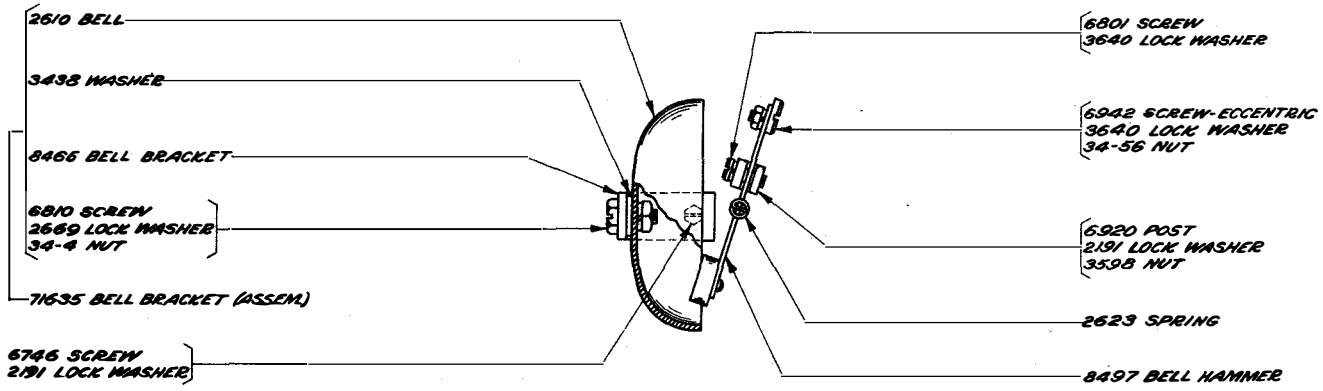
95474 PLATEN SHAFT
95475 COLLAR
1172 SCREW

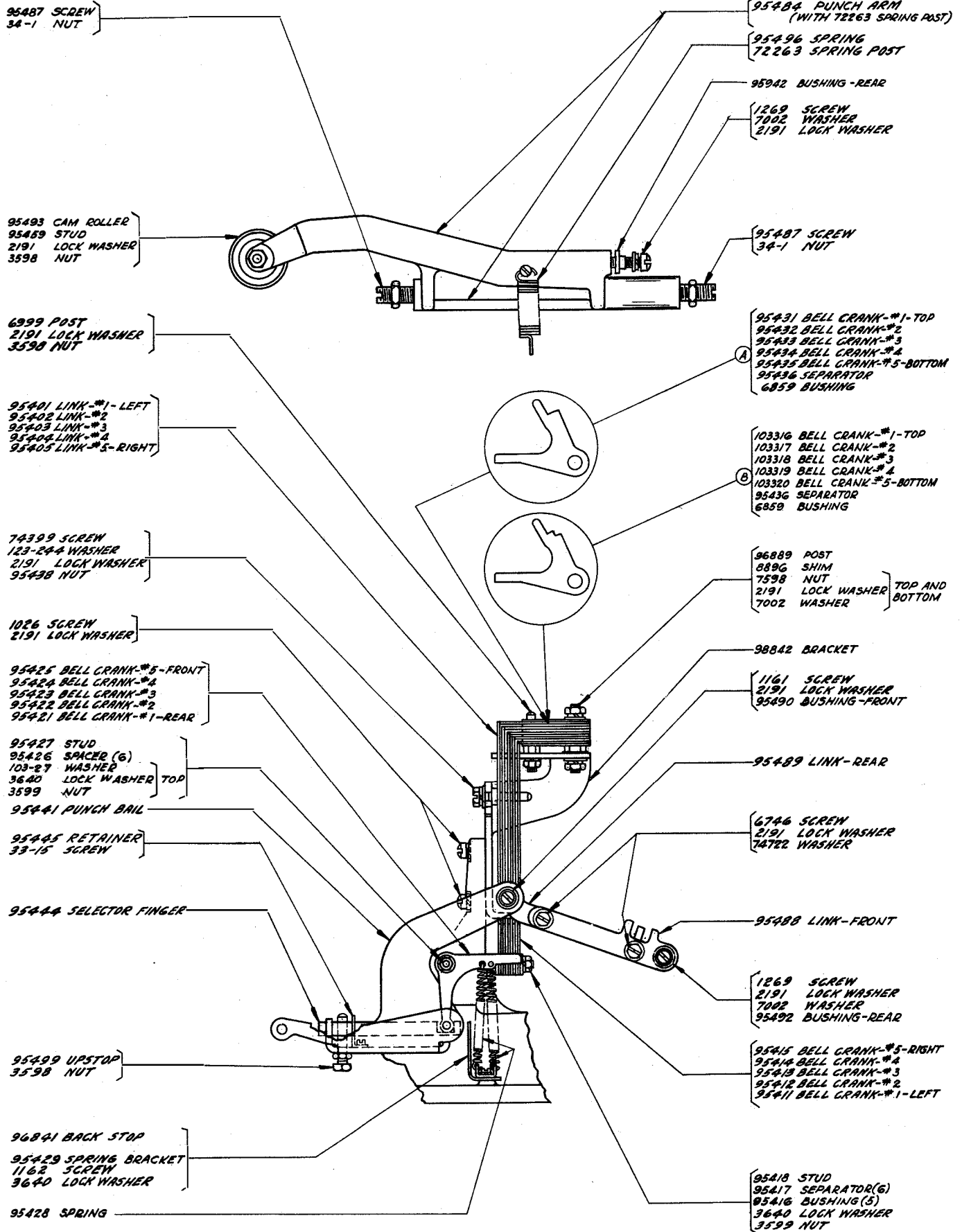
71969 SHIFT ROCKER ARM

(A) 95479 PUSH ROD

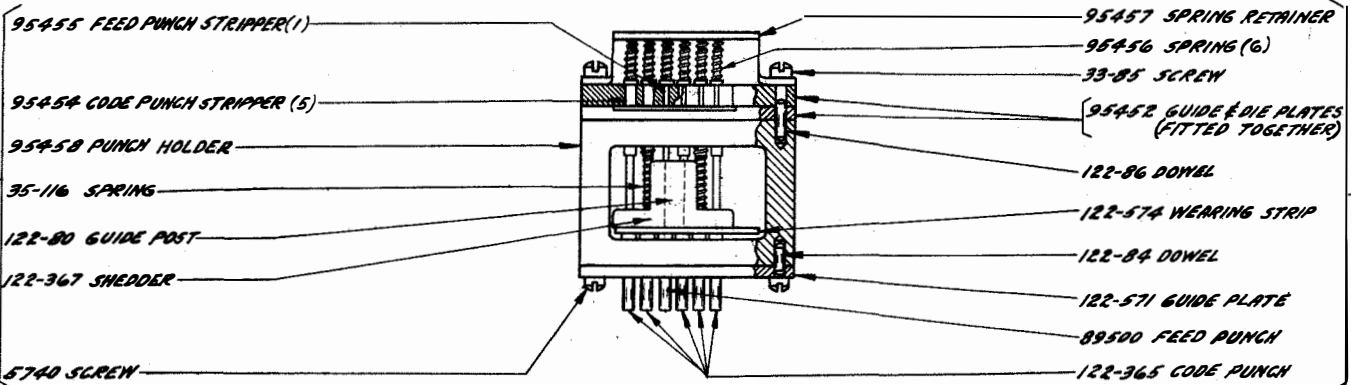
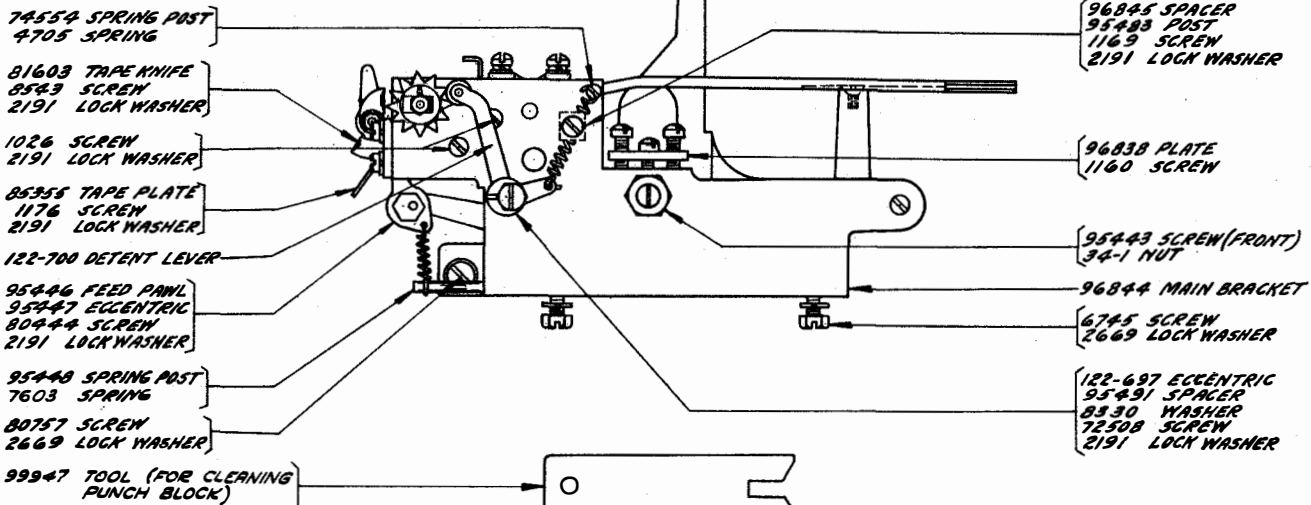
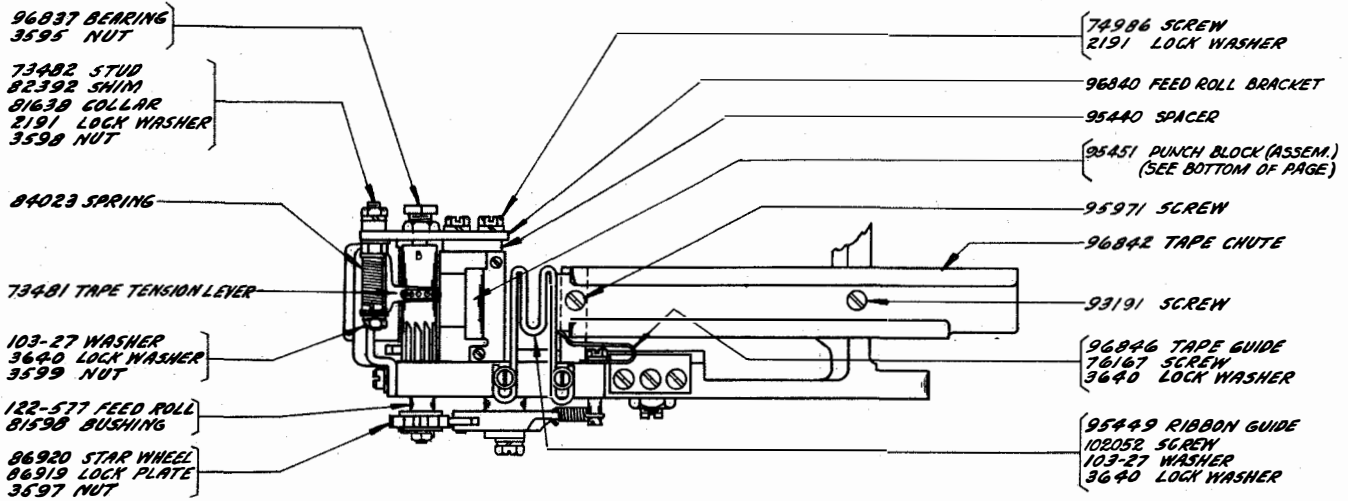
(A) SEE PAGE 36 FOR NOTES OF EXPLANATION

(B-1082)
-9-

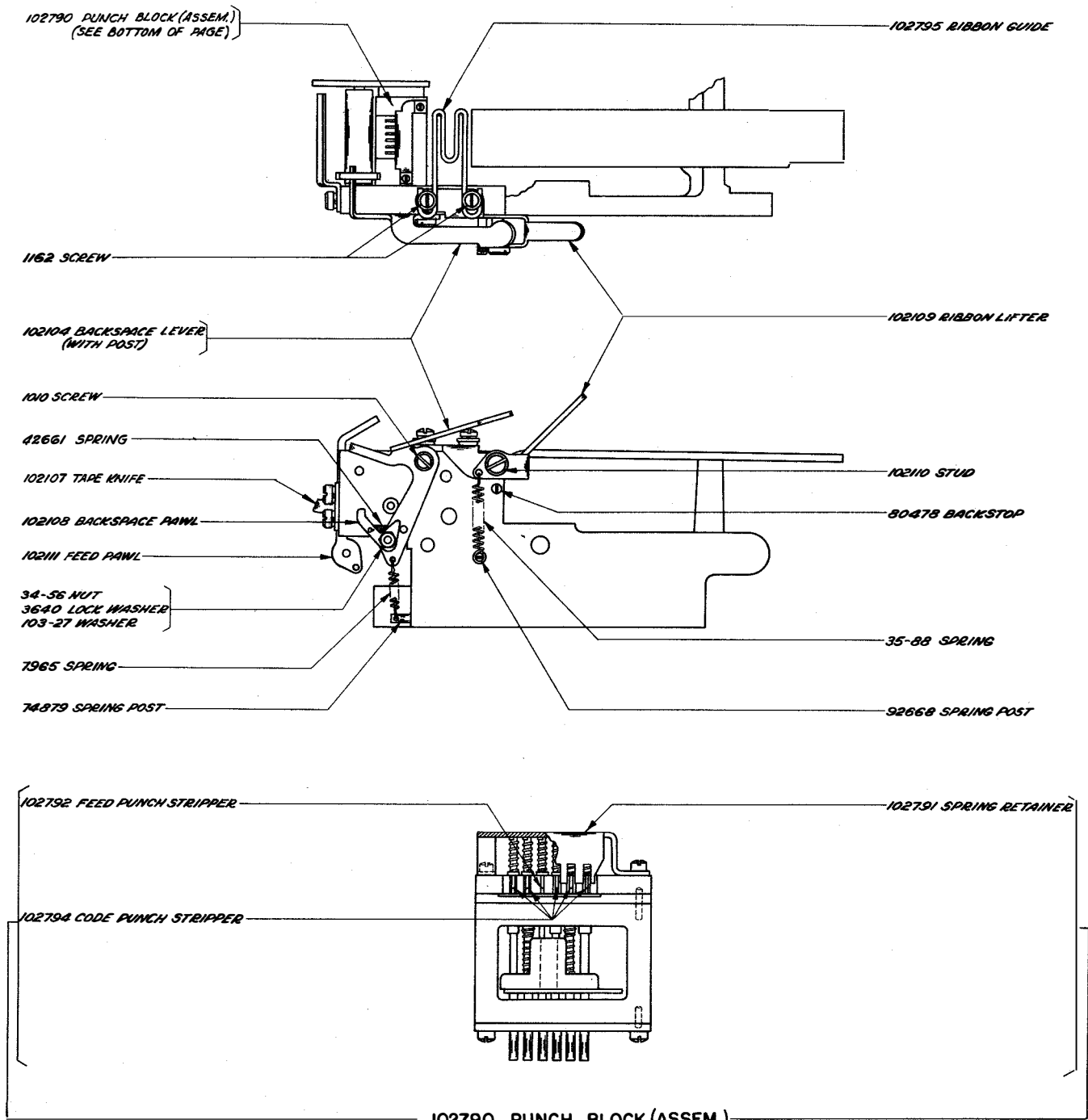




Ⓐ USED WITH 6915 CODE BAR LOCKING LEVER } SEE PAGE 16
 Ⓑ USED WITH 103310 CODE BAR LOCKING LEVER }

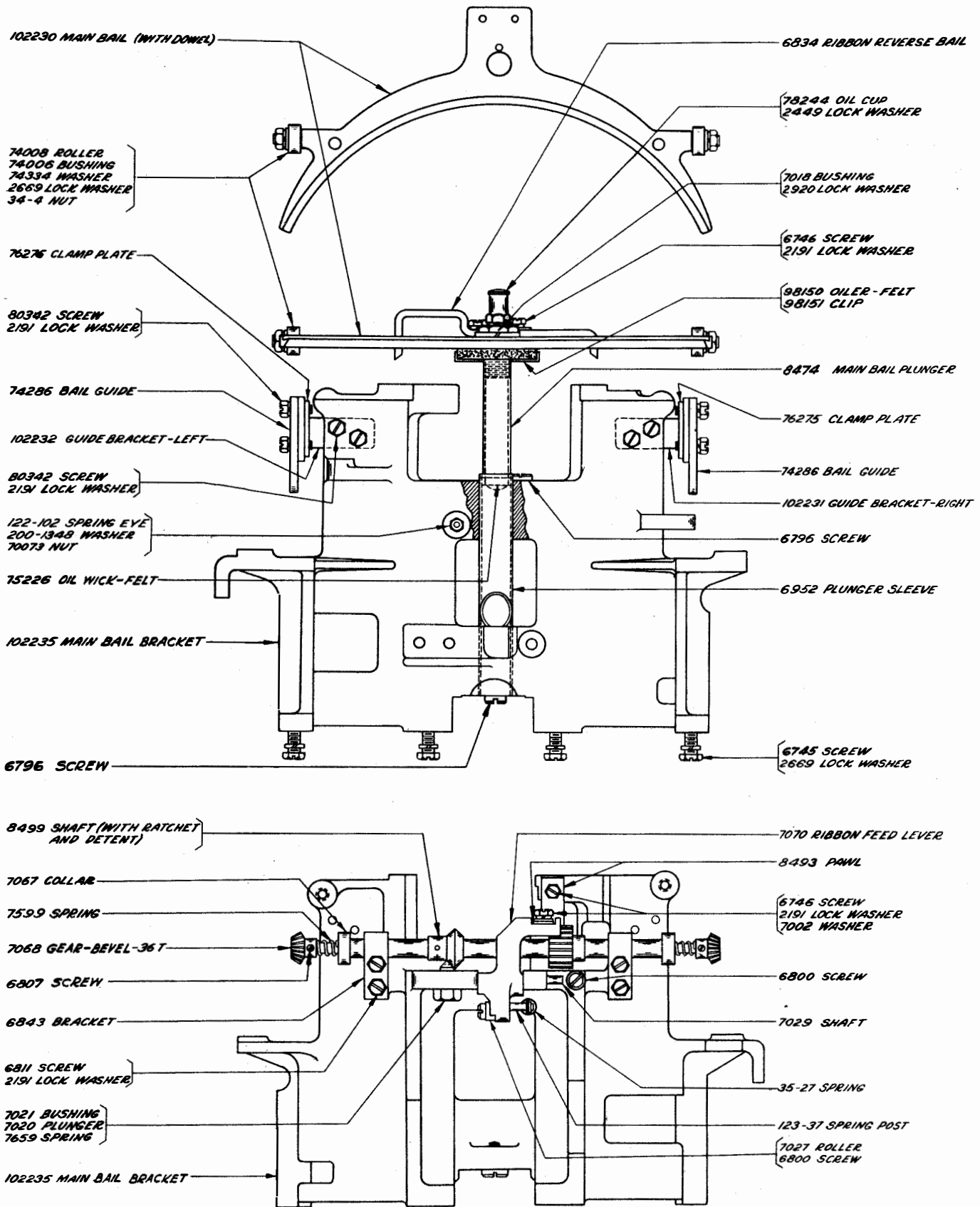


95451 PUNCH BLOCK (ASSEM.)

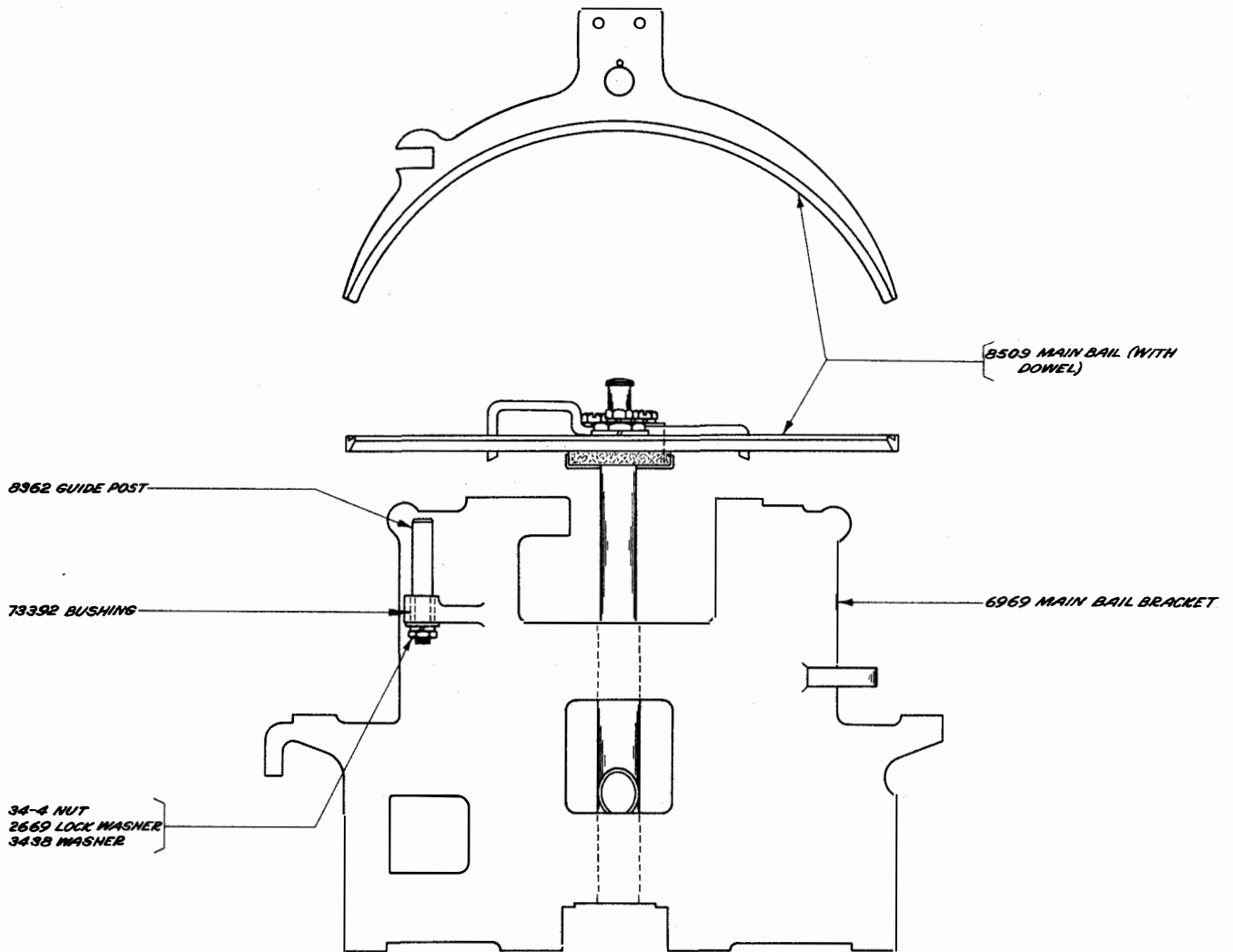


102790 PUNCH BLOCK (ASSEM.)
(PARTS NOT LISTED SAME AS ON 95451 PUNCH BLOCK (ASSEM.))

ALL PARTS LISTED ON THIS PAGE ARE USED ONLY ON UNITS EQUIPPED WITH A BACKSPACER. ALL OTHER PARTS ARE THE SAME AS SHOWN ON PAGE 12.

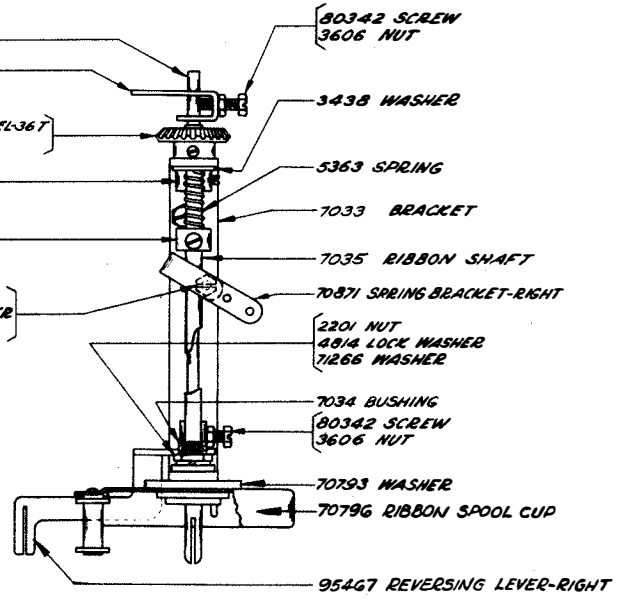
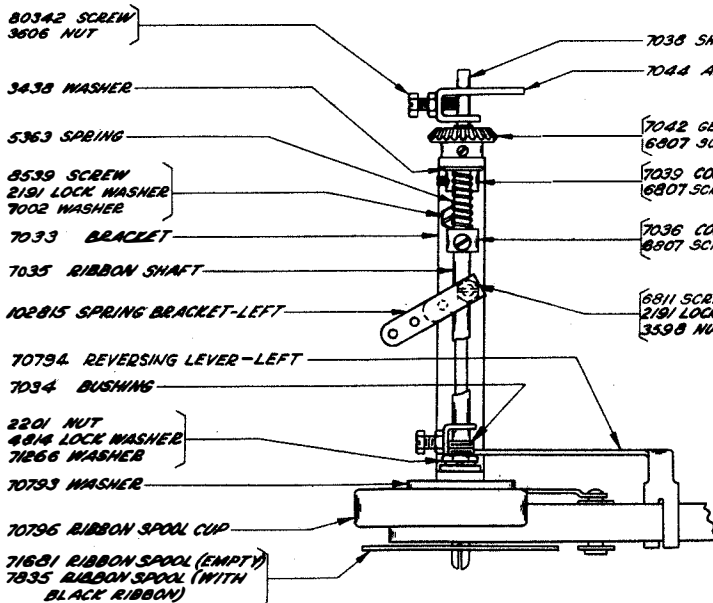
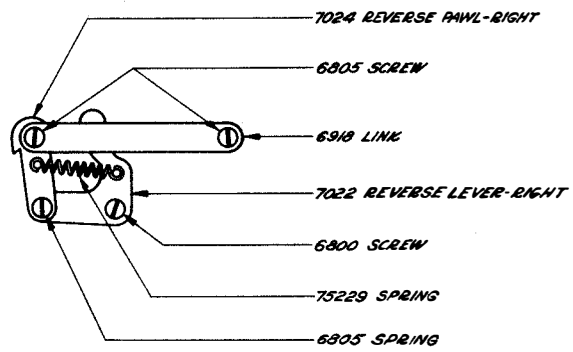
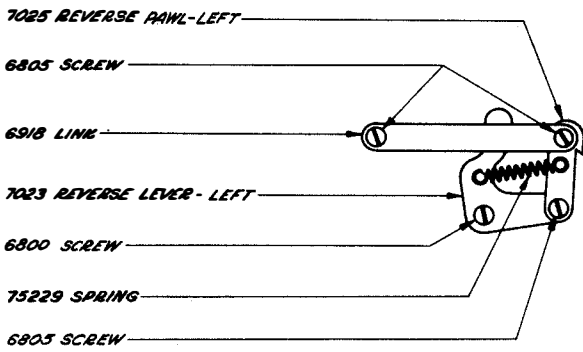
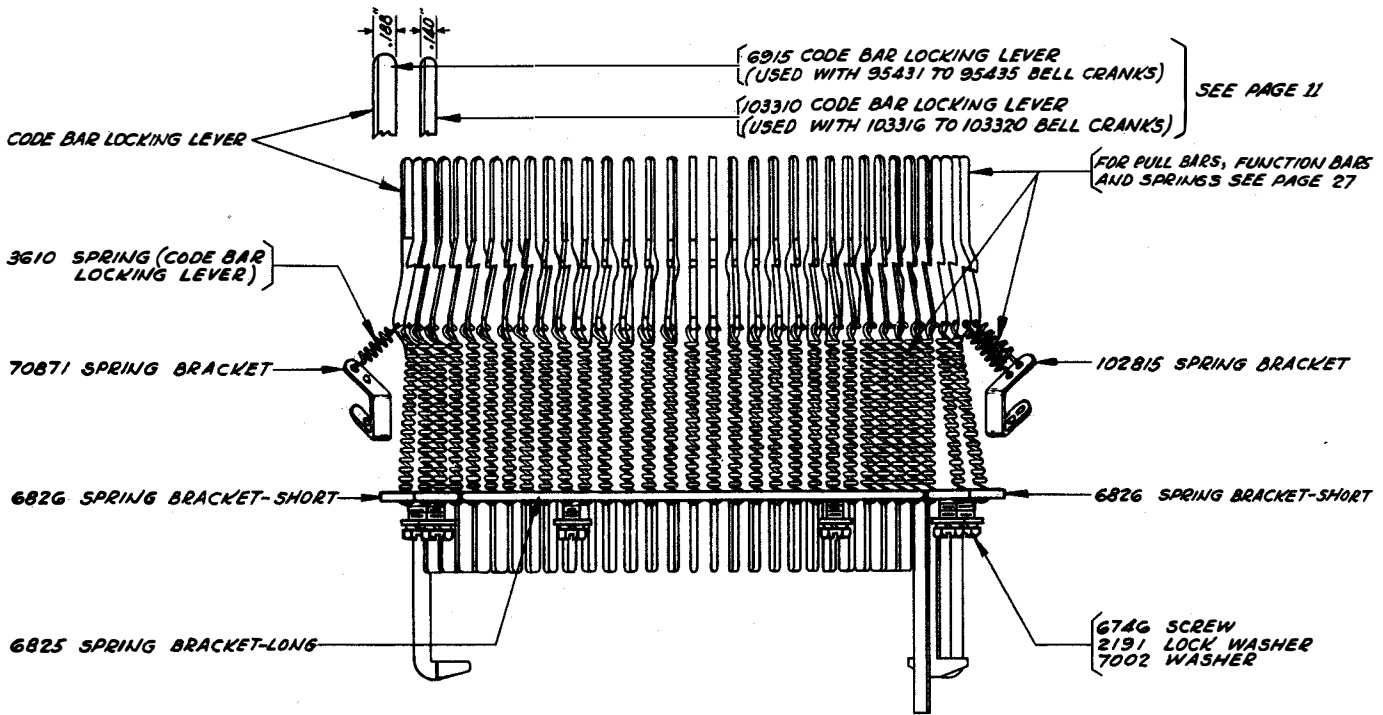


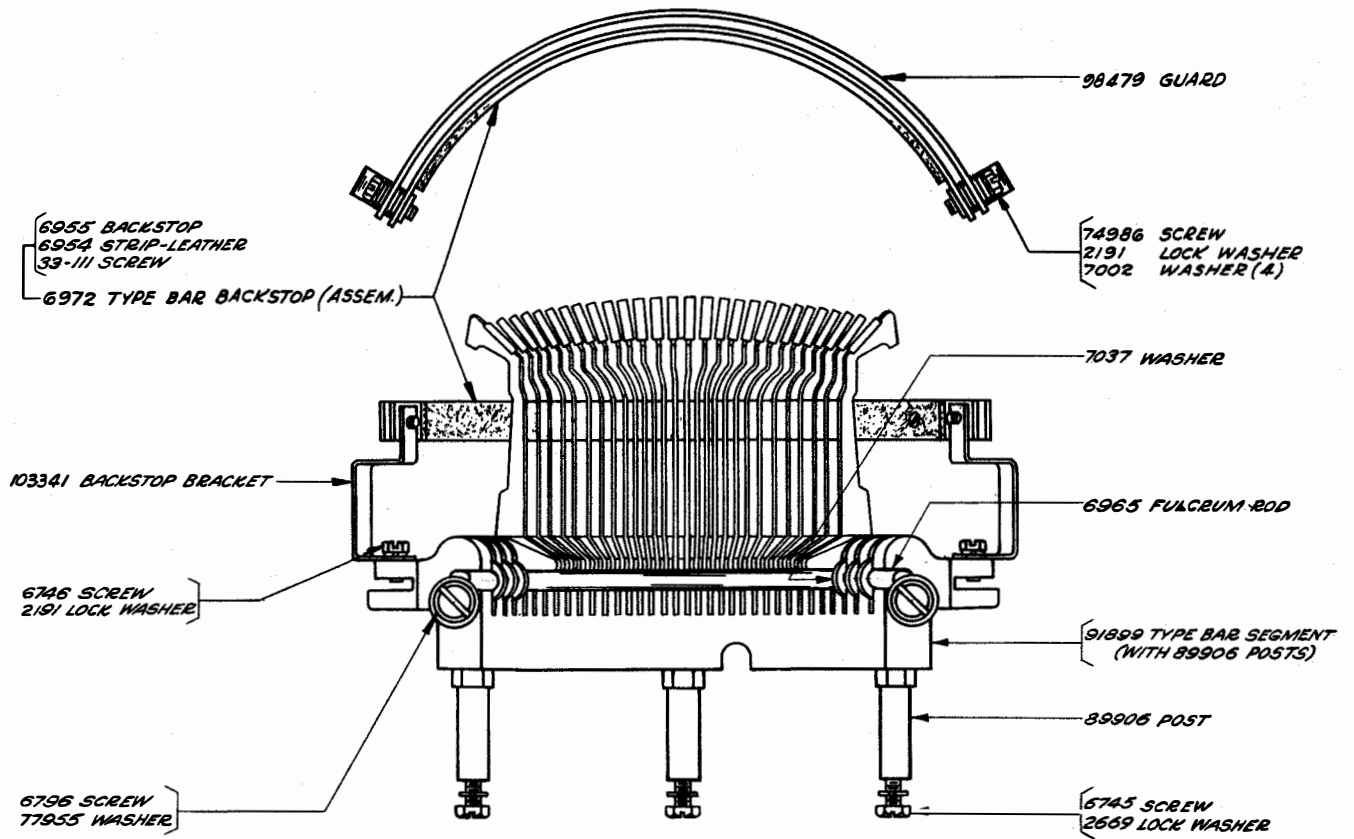
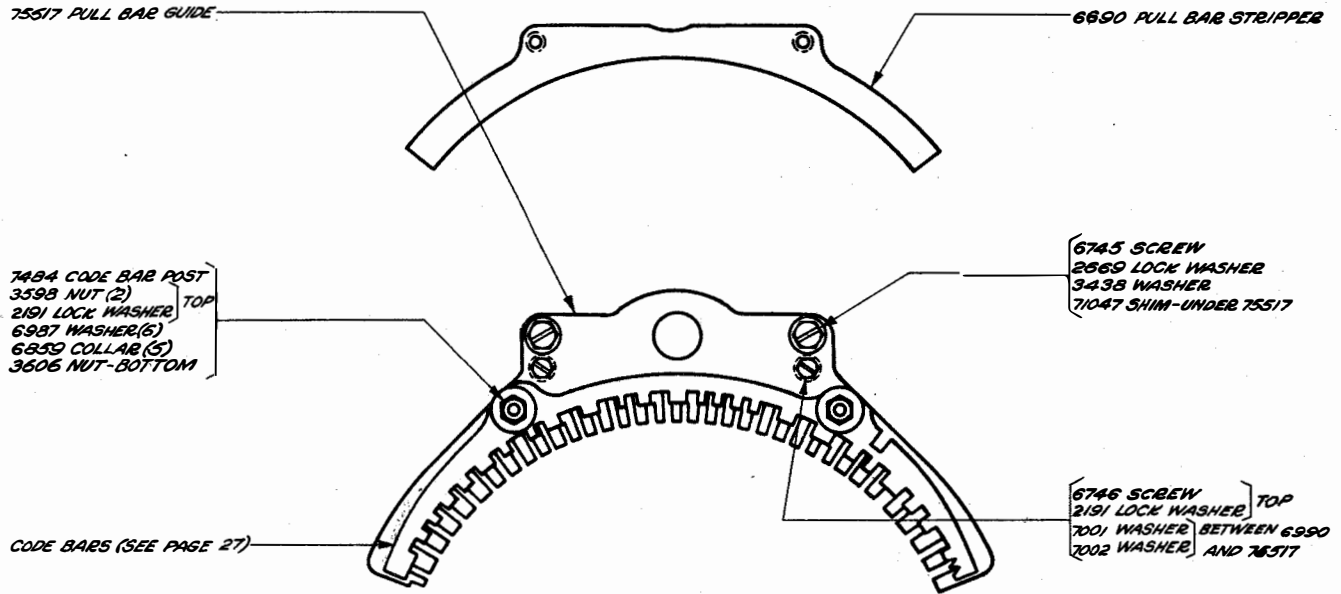
PARTS SHOWN ON THIS PAGE ARE FOR UNITS HAVING MAIN BAIL ROLLER GUIDES. FOR UNITS HAVING A SQUARE GUIDE POST SEE PAGE 15.

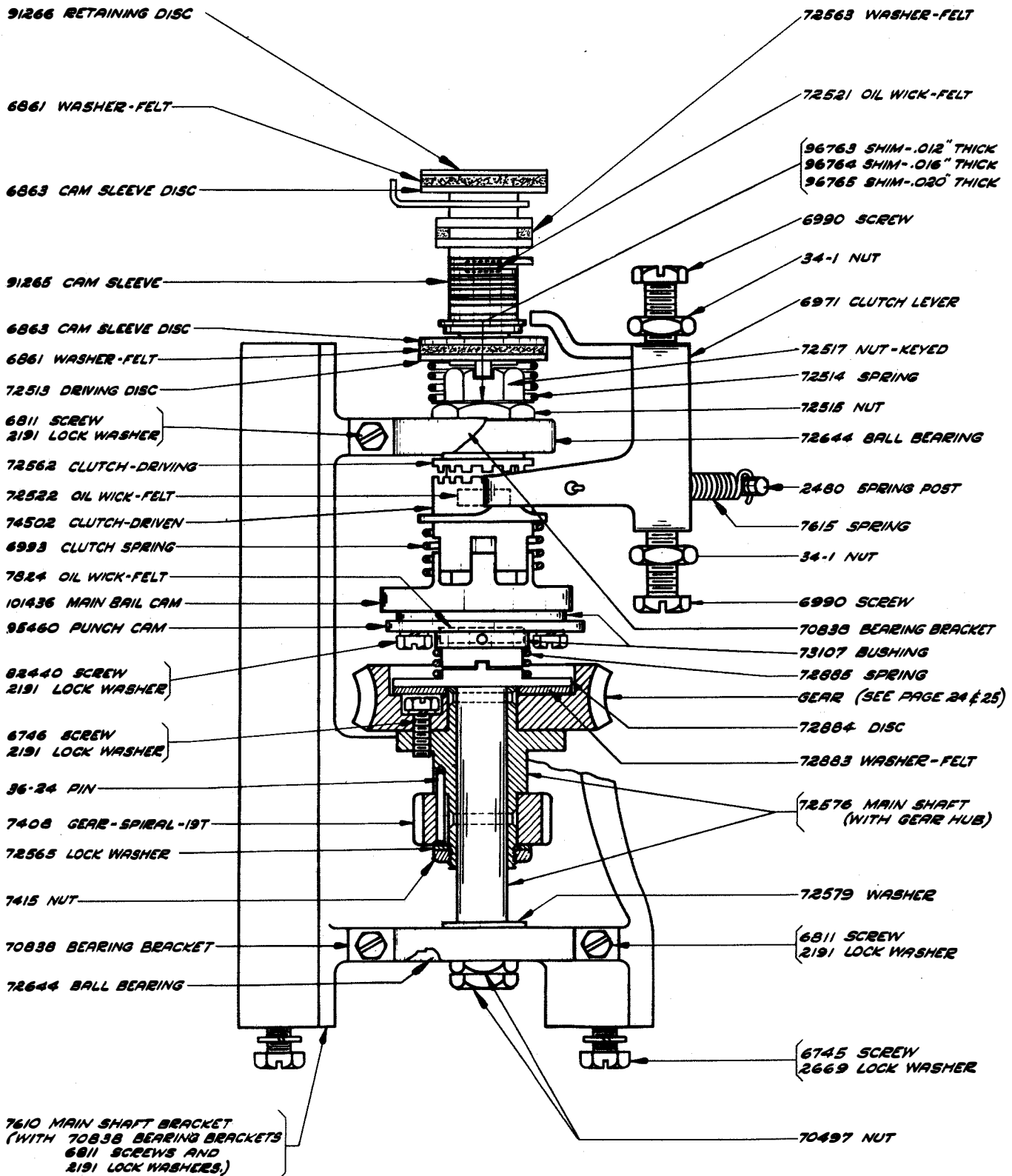


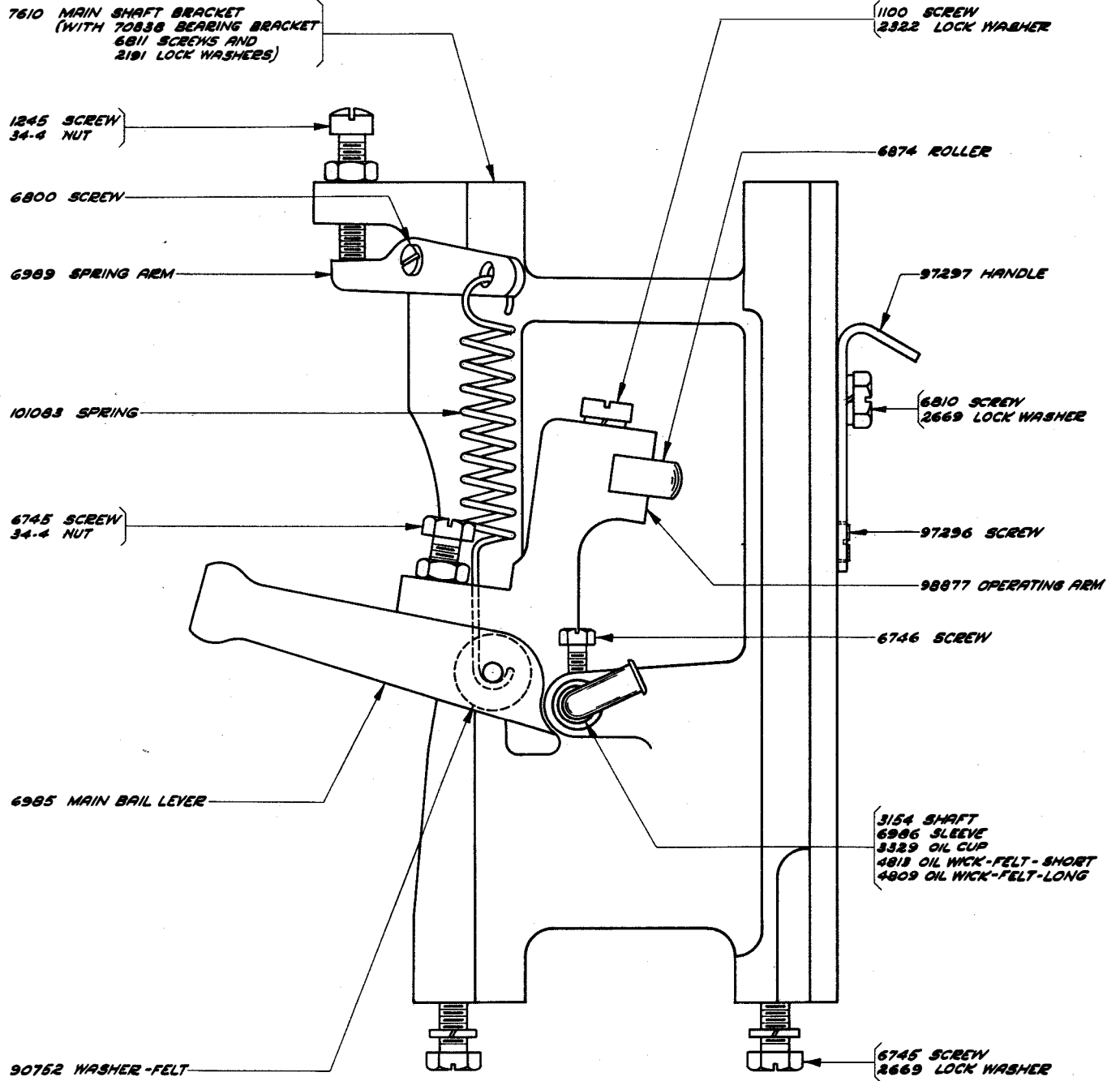
PARTS SHOWN ON THIS PAGE ARE FOR UNITS HAVING A SQUARE GUIDE POST FOR THE MAIN BAIL. FOR UNITS HAVING ROLLER GUIDES, SEE PAGE 14.

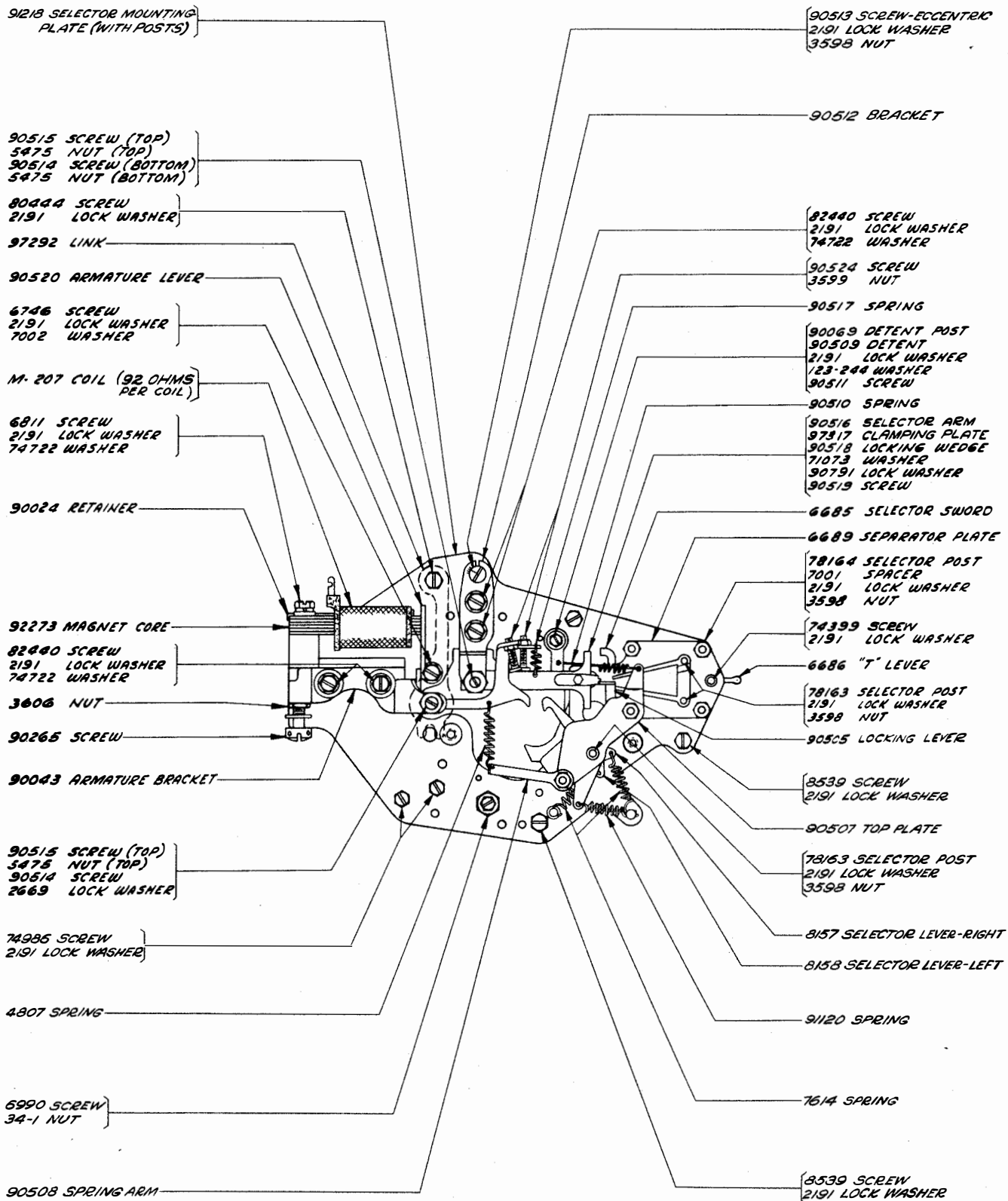
ALL PARTS NOT ILLUSTRATED OR LISTED ARE THE SAME AS SHOWN ON PAGE 14.

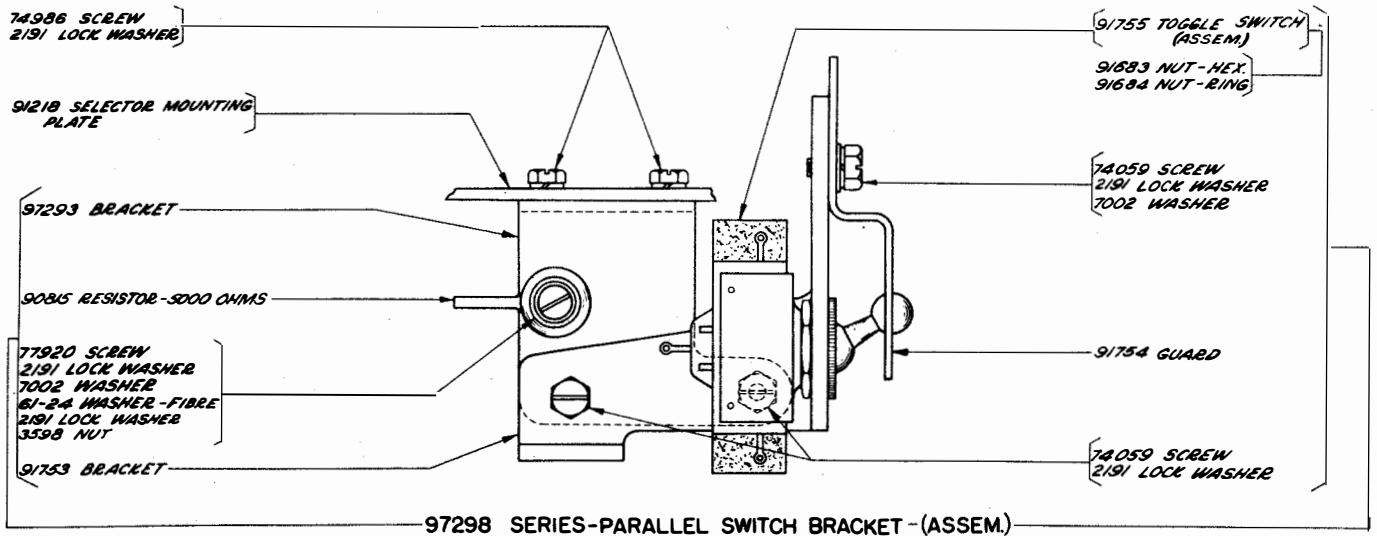
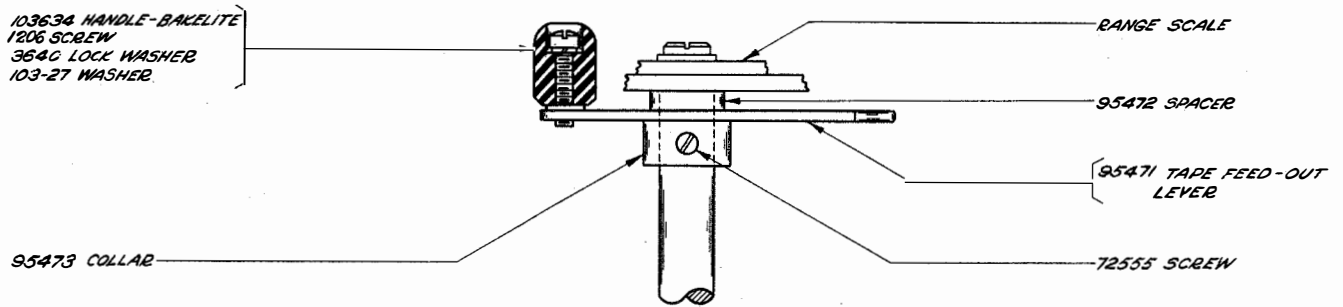
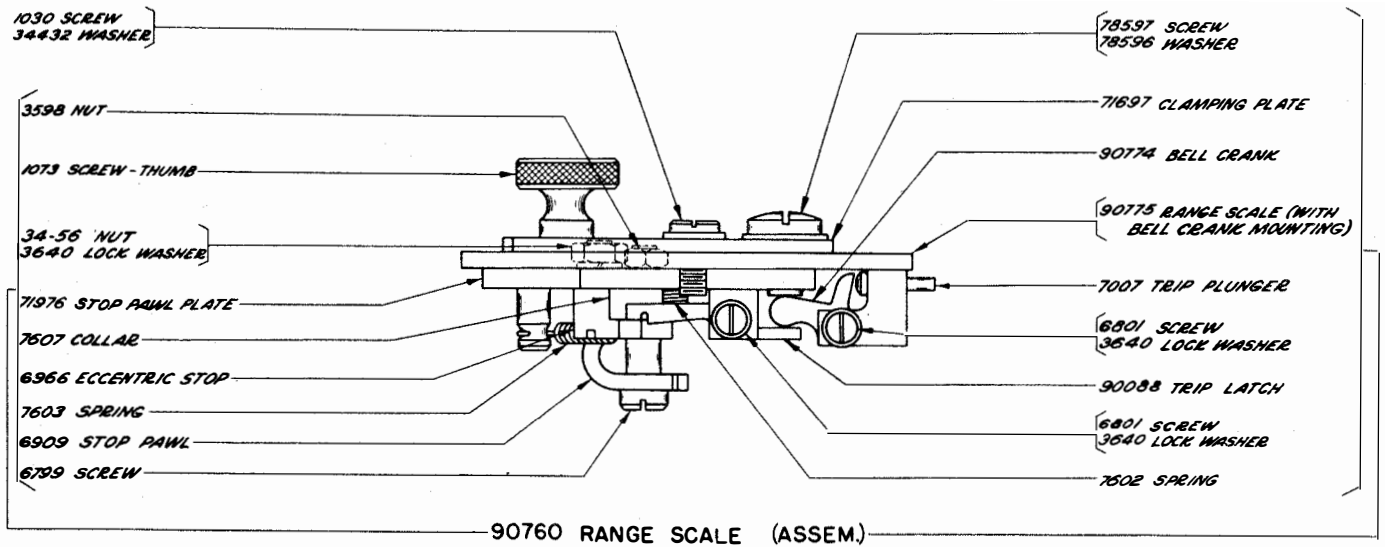




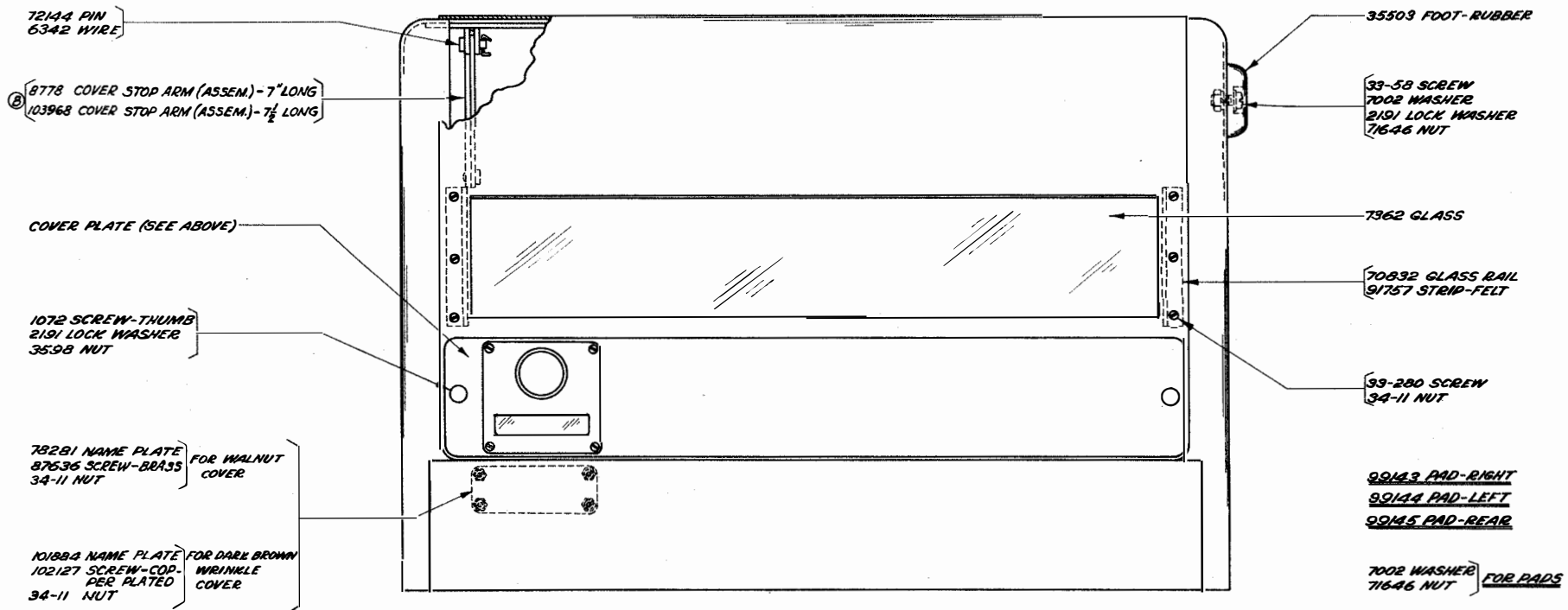
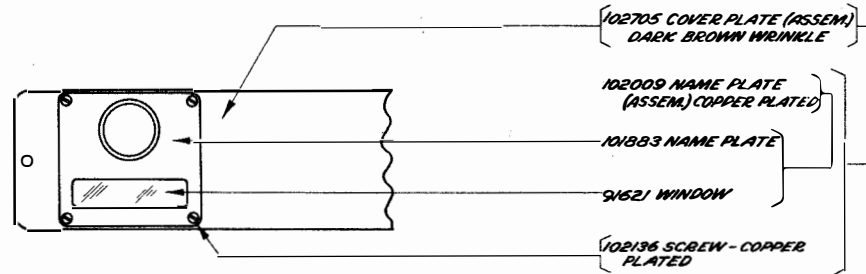
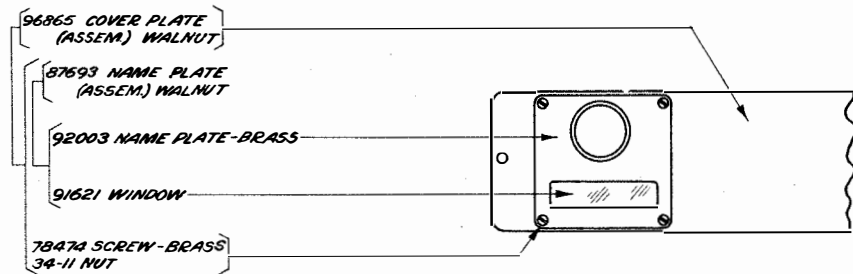








97295 CABLE (SERIES-PARALLEL SWITCH)
(W.D. 1971)



- (C) C-134 COVER (ASSEM.)-WALNUT (BELL SYSTEM 14-M) (INCLUDES 97339 SET OF TAPE REEL PARTS-WALNUT - SHOWN ON PAGE 23)
- (A) C-142 COVER (ASSEM.)-DARK BROWN WRINKLE (BELL SYSTEM 14-N) (INCLUDES 102547 SET OF TAPE REEL PARTS-DARK BROWN WRINKLE - SHOWN ON PAGE 23)

(A) (B) SEE PAGE 36 FOR NOTES OF EXPLANATION

8543 SCREW
2191 LOCK WASHER
97342 CLAMP PLATE
3598 NUT

96484 TAPE REEL CONTAINER-
WALNUT
102695 TAPE REEL CONTAINER-
DARK BROWN WRINKLE

97340 TAPE TENSION SPRING
(WITH 96309 ROLLER)

7037 WASHER

35551 SCREW
2669 LOCK WASHER
3438 WASHER
34-4 NUT

82279 CLIP-FRONT
82281 GUIDE-REAR
8543 SCREW
2191 LOCK WASHER
3598 NUT

75087 SCREW
7037 SPACER (BETWEEN 89086 & 96484)
34-48 NUT (REAR OF 96483)

89086 TAPE REEL

89088 FILLER-WOOD

89087 CORE

1207 SCREW

1179 SCREW
2191 LOCK WASHER
8330 WASHER

96483 BRACKET-WALNUT
102697 BRACKET-DARK
BROWN WRINKLE

83395 RETAINER-WALNUT
101866 RETAINER-DARK
BROWN WRINKLE

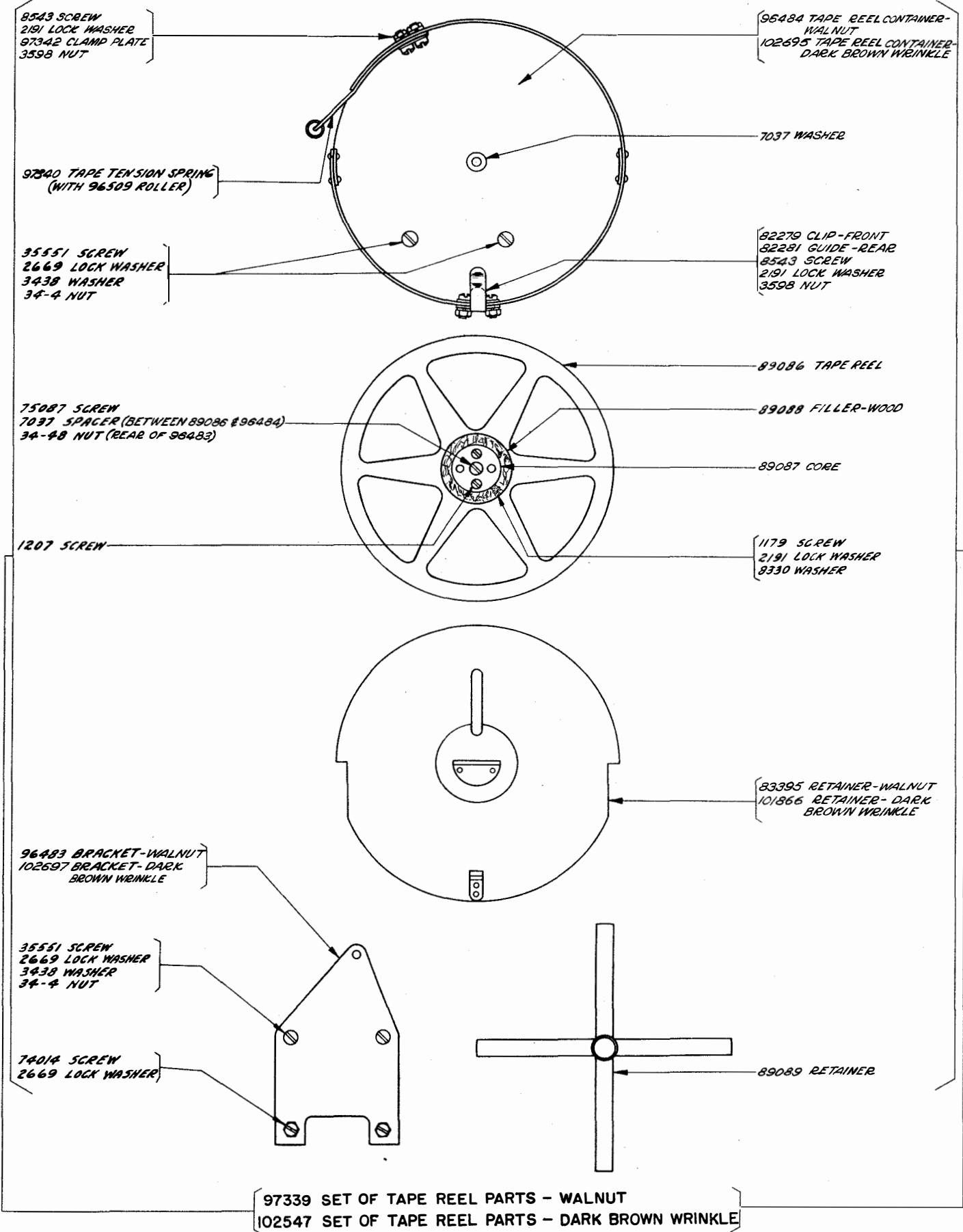
35551 SCREW
2669 LOCK WASHER
3438 WASHER
34-4 NUT

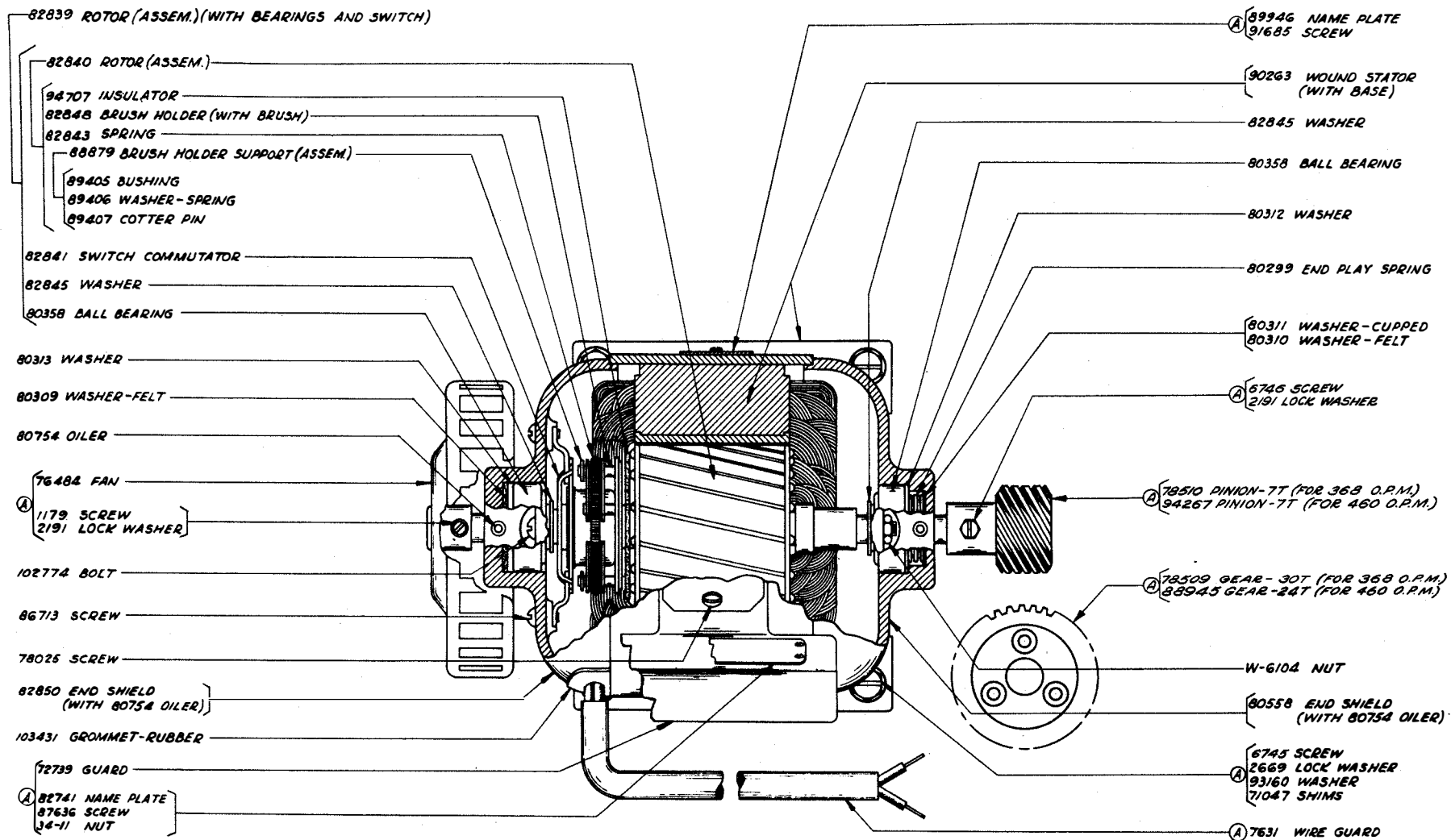
74014 SCREW
2669 LOCK WASHER

89089 RETAINER

97339 SET OF TAPE REEL PARTS - WALNUT

102547 SET OF TAPE REEL PARTS - DARK BROWN WRINKLE



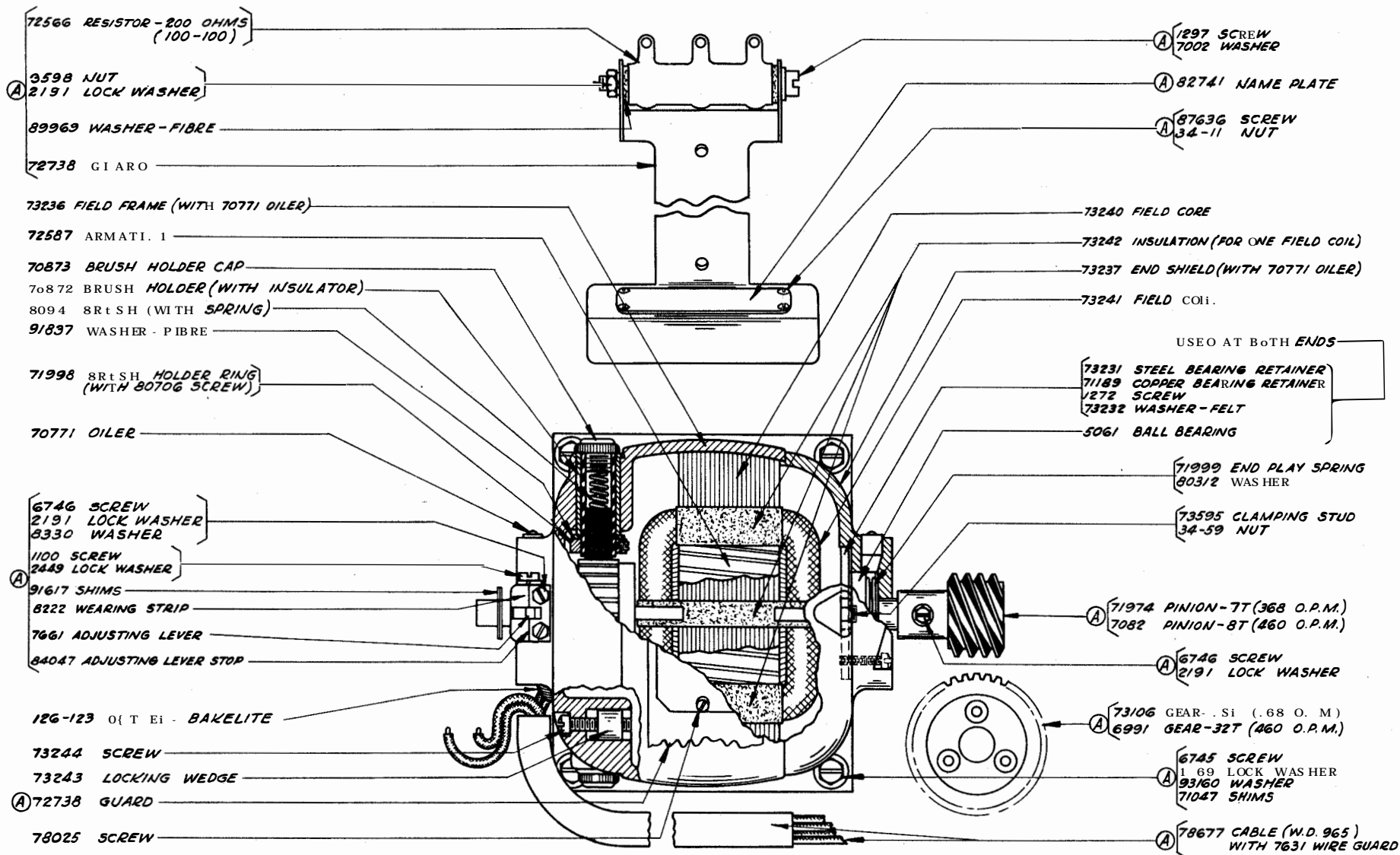


-24-
(B-1082)

82283 SYNCHRONOUS MOTOR, 1/40 H.P. 110 V., 60 CYCLE A. C. (G. E. MODEL 5SH25AB11B) (EXCLUDES PARTS MARKED (A))

- (B) 86933 SET OF MOTOR AND GEAR PARTS (FOR 368 O.P.M.)
- 97476 SET OF MOTOR AND GEAR PARTS (FOR 460 O.P.M.)

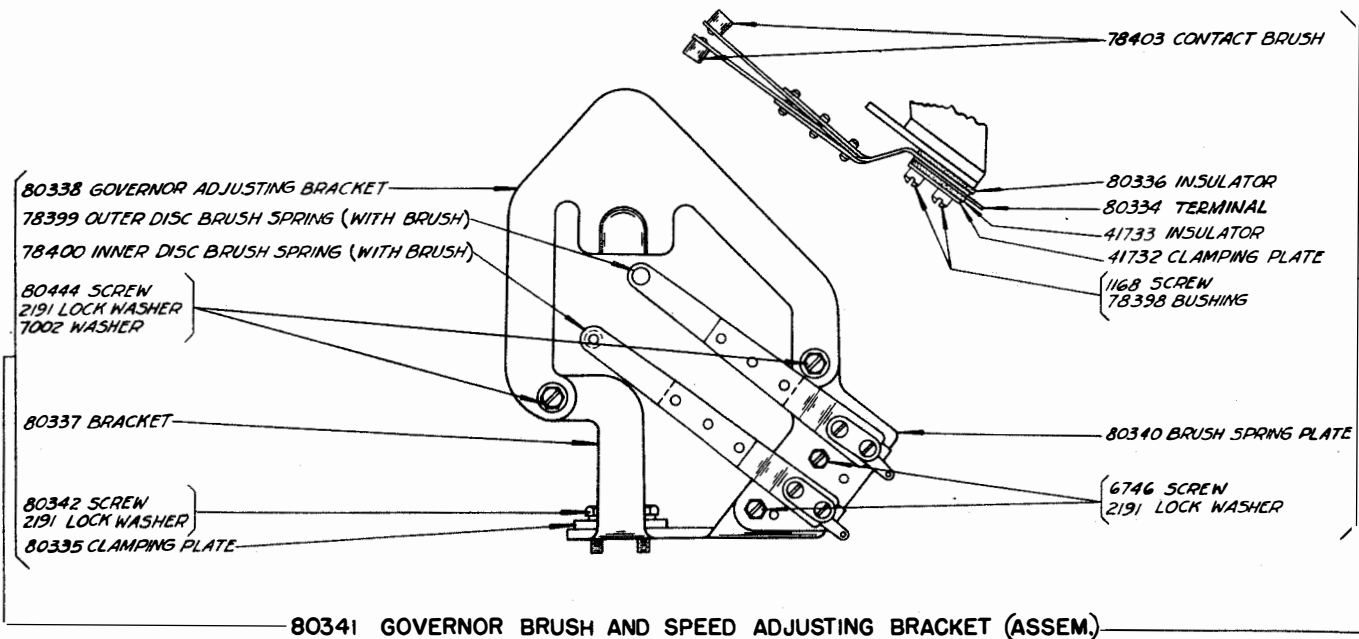
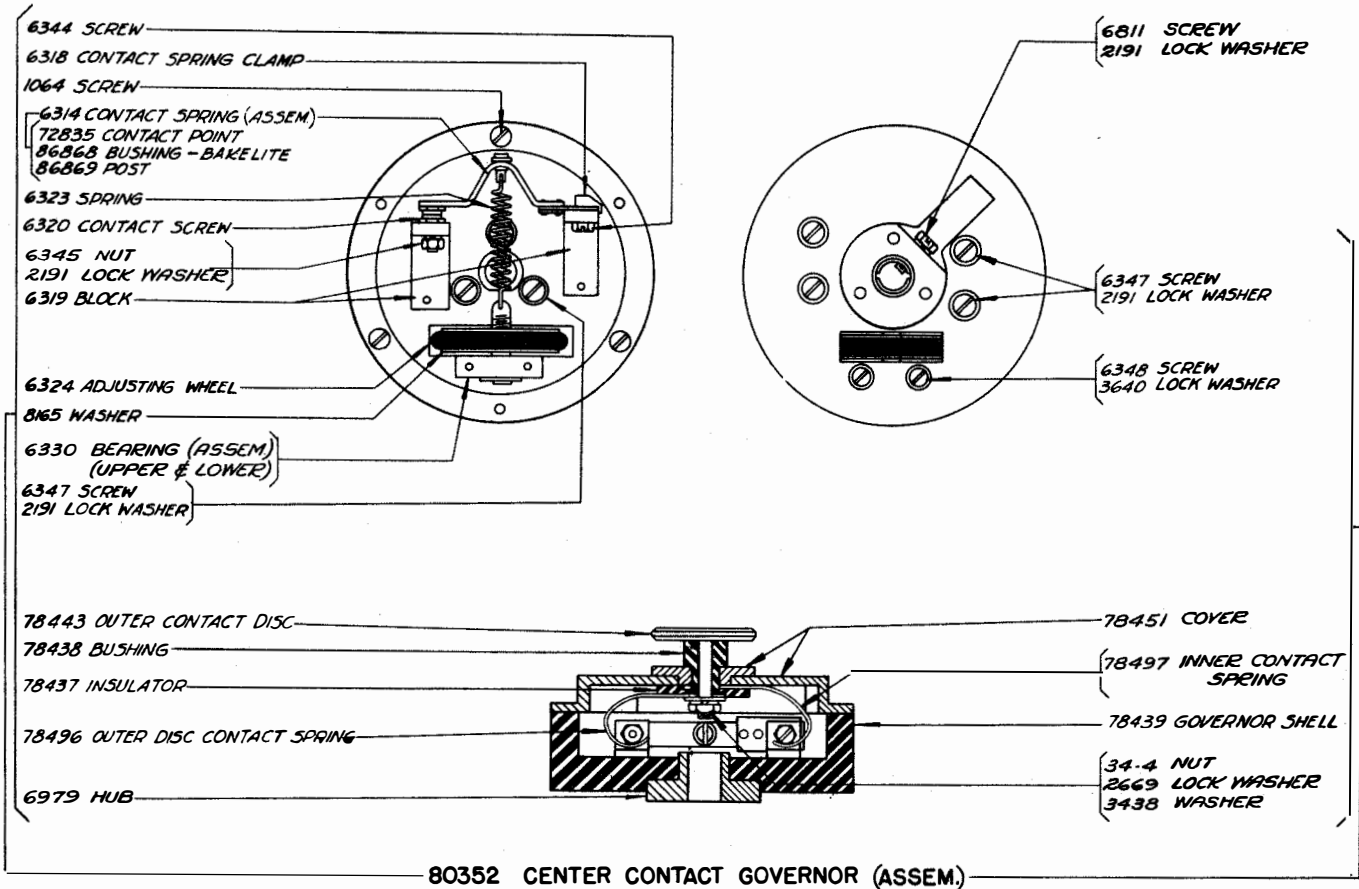
(A) SEE PAGE 36 FOR NOTES OF EXPLANATION



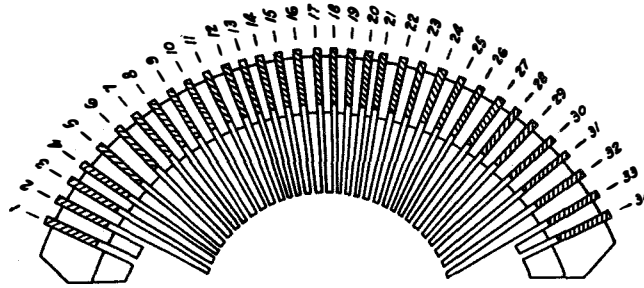
72586 MOTOR, 1/17 H.P. 130 V., D.C. (G.E. MODEL 5BY30A3) (EXCLUDES PARTS MARKED (A))

- (B) 86928 SET OF MOTOR AND GEAR PARTS (FOR 368 O.P.M.)
99282 SET OF MOTOR AND GEAR PARTS (FOR 460 O.P.M.)

(B) SEE PAGE 37 FOR NOTES OF EXPLANATION



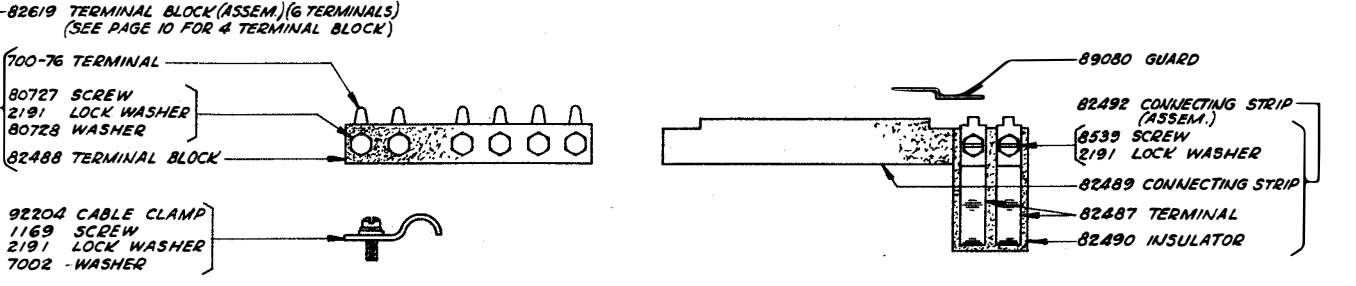
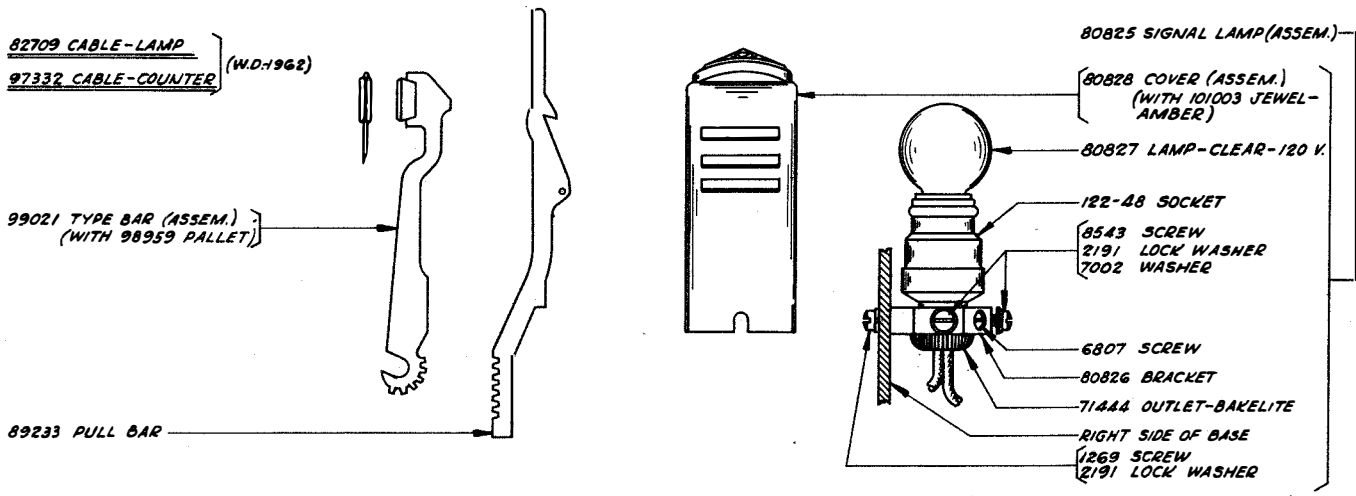
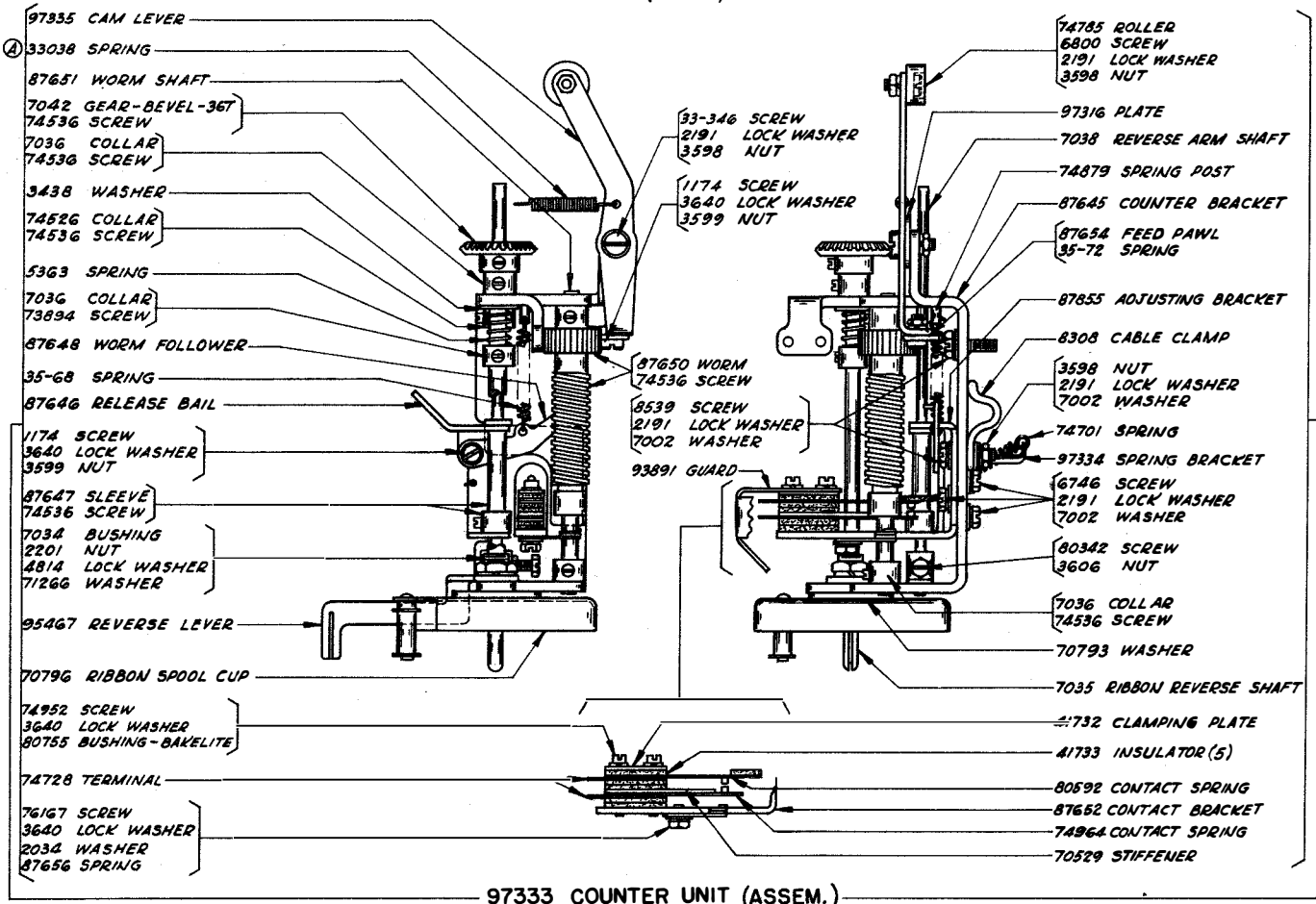
CODE BARS	
NO. STAMPED ON CODE BAR	CATALOG NO.
1J	95461
2J	95462
3J	95463
4J	95464
5J	95465



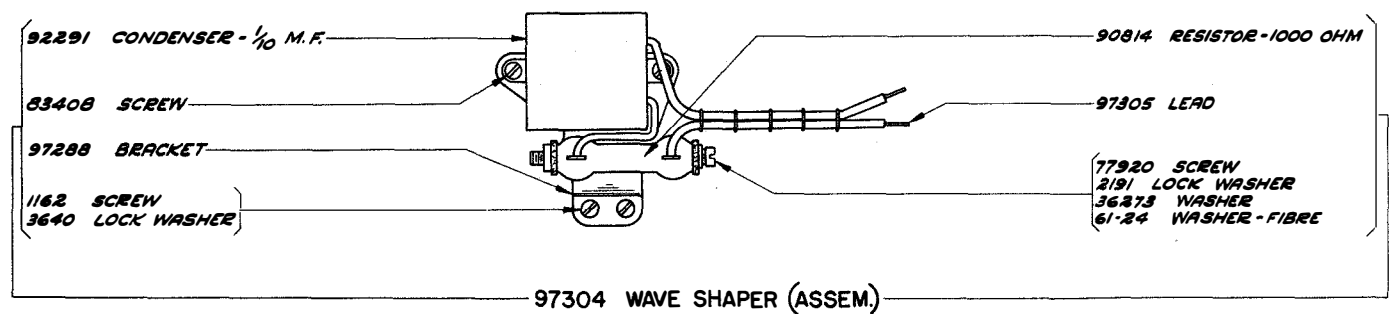
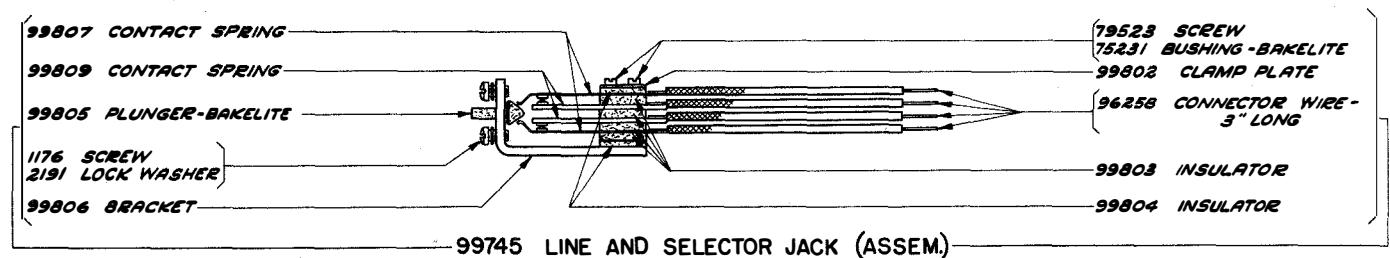
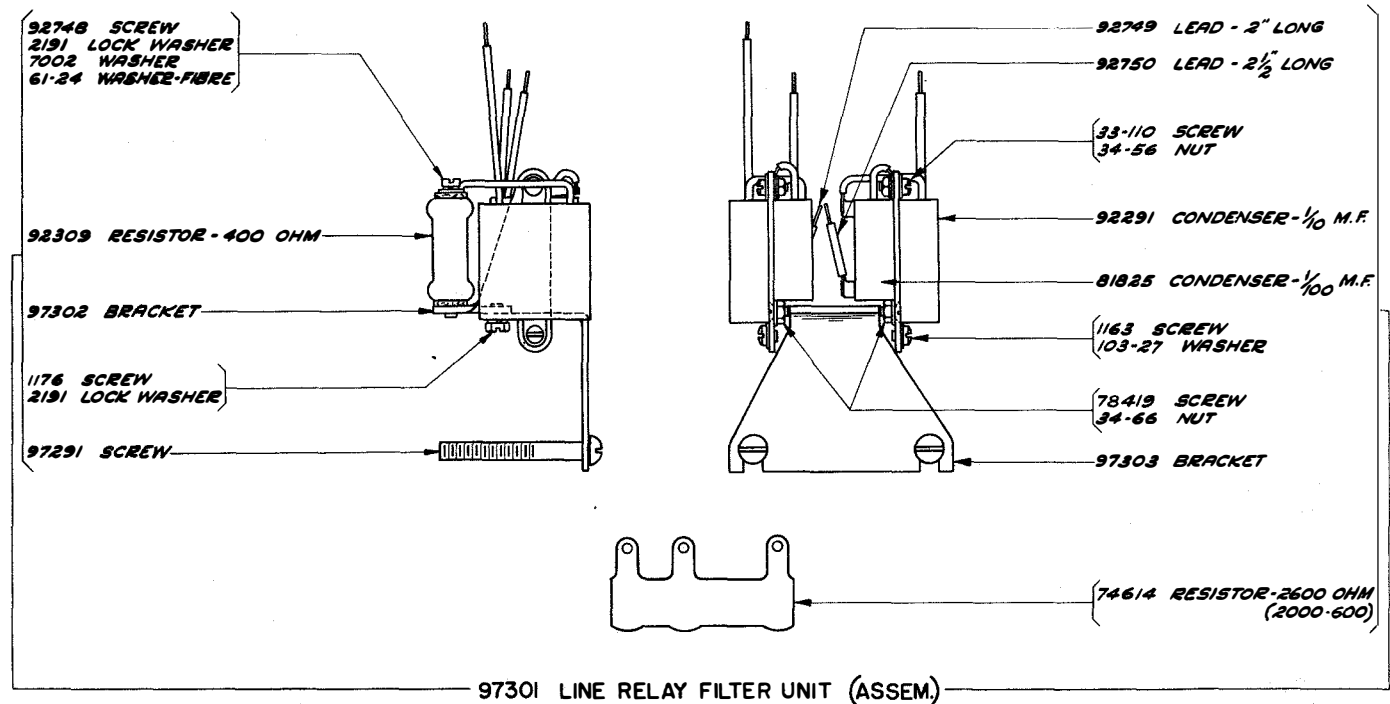
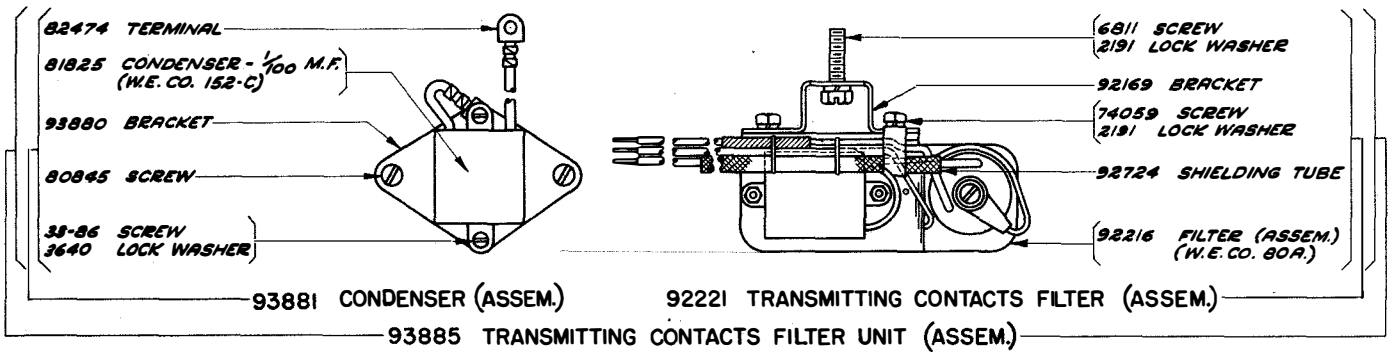
NOTE -
CHECK CAREFULLY THE POSITION OF THE PULL BARS IN SEGMENT AND THE ARRANGEMENT OF THE TYPE PALLETS ON THE TYPE BARS. IF THESE DIFFER IN ANY WAY WITH THE ARRANGEMENT SHOWN ON THIS PAGE, THE PARTS SHOULD BE ORDERED BY NAME.
FOR EXAMPLE ORDER:
TYPE PALLET (A-)
TYPE BAR #12 (WITH PALLET) (A-)
KEYTOP (A-)

NUMBER OF POSITION IN SEGMENT	PULL & FUNCTION BAR		TYPE BAR WITHOUT PALLET		TYPE BAR PALLET		TYPE BAR WITH PALLET	PULL & FUNCTION BAR SPRING	SPRING CUSHION KEYTOPS	
	CATALOG NUMBER	DESCRIPTION	CATALOG NUMBER	NUMBER STAMPED ON BAR	DESCRIP-TION	CATALOG NUMBER			DESCRIP-TION	CATALOG NUMBER
1	6916	SPACE						7965		
2	6916	LTRS						7965	LTRS	78973
3	8457	BELL (U.C.'S)						7825		
3	102877	BELL (U.C.'S)	78125	0	B	102653	99036	7634	S BELL	78980
4	8458	"S"	7421	1	S	98901	98966	7634	S BELL	78980
5	6692	STANDARD	7422	2	X /	98941	98968	7634	X /	78968
6	6692	"	7423	3	Q 1	98915	98969	7634	Q 1	78962
7	6692	"	7424	4	V 3/8	98936	98972	7634	V 3/8	78985
8	6692	"	7425	5	G &	98919	98974	7634	G &	78952
9	6692	"	7426	6	W 2	98916	98975	7634	W 2	78967
10	6692	"	7427	7	F 1/4	98935	98978	7634	F 1/4	78982
11	6692	"	7428	8	C 1/8	98934	98982	7634	C 1/8	78984
12	6692	"	7429	9	D 5/8	98943	98984	7634	D 5/8	78949
13	6692	"	7430	10	R 4	98928	98985	7634	R 4	78963
14	6692	"	7431	11	J 1/2	98908	98988	7634	J 1/2	78993
15	6692	"	7432	12	A -	98912	98991	7634	A -	78946
16	6692	"	7433	13	T 5	98931	98992	7634	T 5	78964
17	6692	"	7434	14	E 3	98930	98993	7634	E 3	78950
18	6692	"	7435	15	N 7/8	98940	98996	7634	N 7/8	78987
19	6692	"	7436	16	I 8	98917	98998	7634	I 8	78954
20	6692	"	7437	17	O 9	98933	98999	7634	O 9	78960
21	6692	"	7438	18	H 1/2	98920	99001	7634	H 1/2	78953
21	6692	"	7438	18	H #	98924	99002	7634	H #	78981
22	6692	"	7439	19	L 3/4	98939	99005	7634	L 3/4	78983
23	6692	"	7440	20	U 7	98932	99006	7634	U 7	78965
24	6692	"	7441	21	M 1/2	98904	99007	7634	M 1/2	78958
25	6692	"	7442	22	Y 6	98929	99010	7634	Y 6	78969
26	6692	"	7443	23	P 0	98918	99011	7634	P 0	78961
27	6692	"	7444	24	B 5/8	98938	99014	7634	B 5/8	78966
28	6692	"	7445	25	K 1/2	98937	99017	7634	K 1/2	78988
29	6692	"	7446	26	Z 1/2	98903	99019	7634	Z 1/2	78970
30	6692	"	7447	27	< <	101582	99032	7634	CAR RET	78976
30	6692	"	7447	27	= =	98959	99021	7634	CAR RET	78976
31	6692	"	7448	28	≡ ≡	101583	99033	7634	LINE FEED	78978
31	6692	STANDARD	7448	28	1 1	98960	99024	7634	LINE FEED	78978
32	8459	BLANK	7885	29	§ §	101579	99034	7634	BLANK	78971
33	6917	FIGS						7825	FIGS	78972
34	(A)	CODE BAR LOCKING LEVER						3610		

(A) SEE PAGE 16 FOR ORDERING INFORMATION.



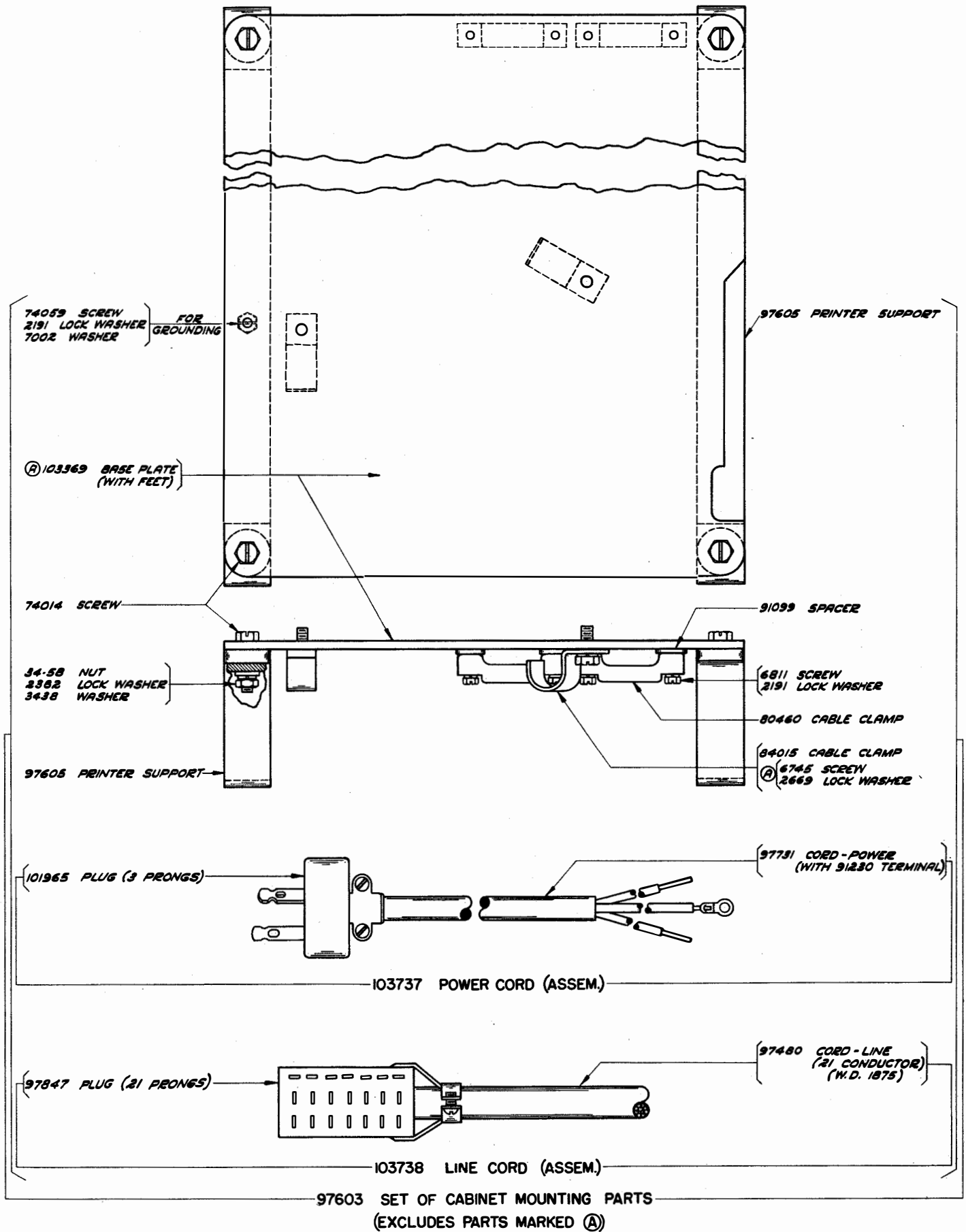
97367 SET OF MECHANICAL END-OF-LINE INDICATOR PARTS
(INCLUDES ALL PARTS LISTED ON THIS PAGE)



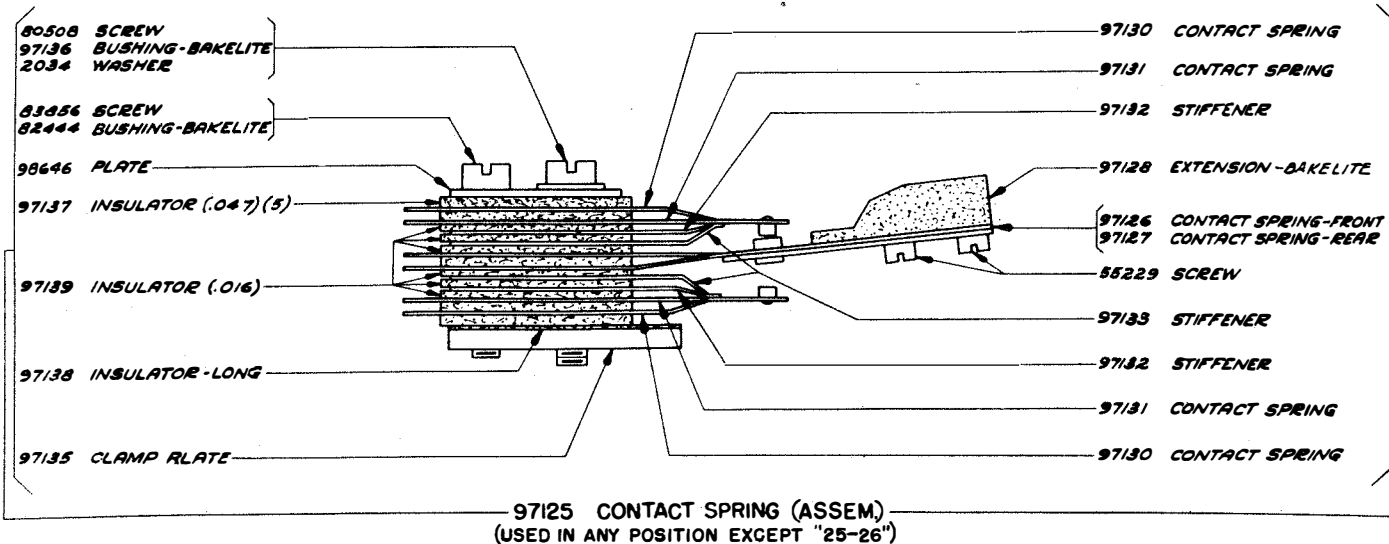
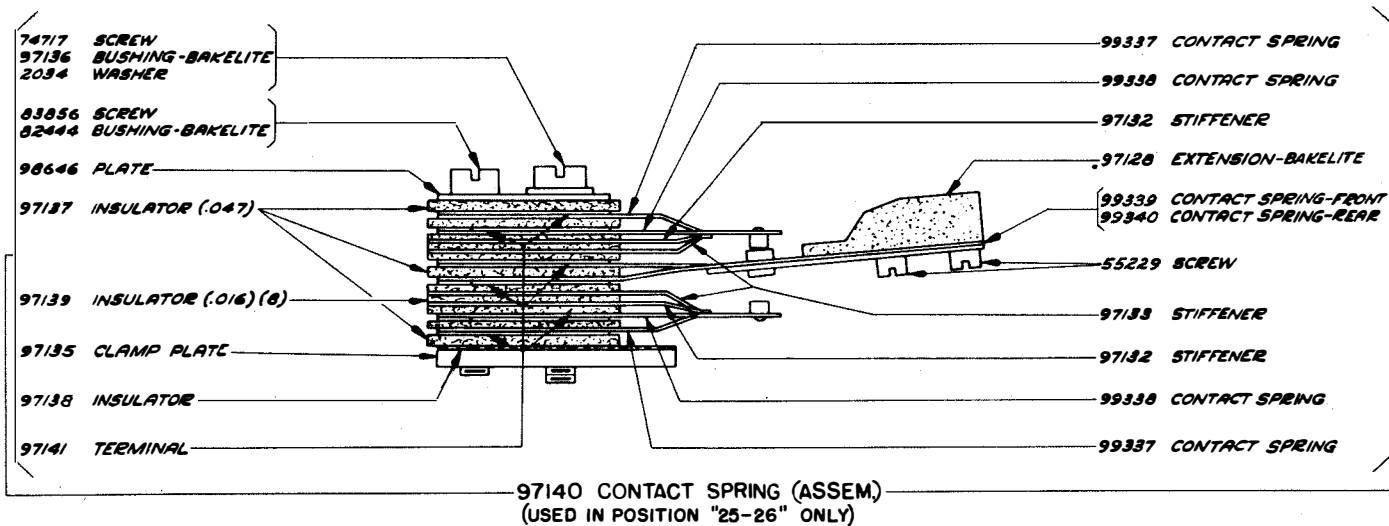
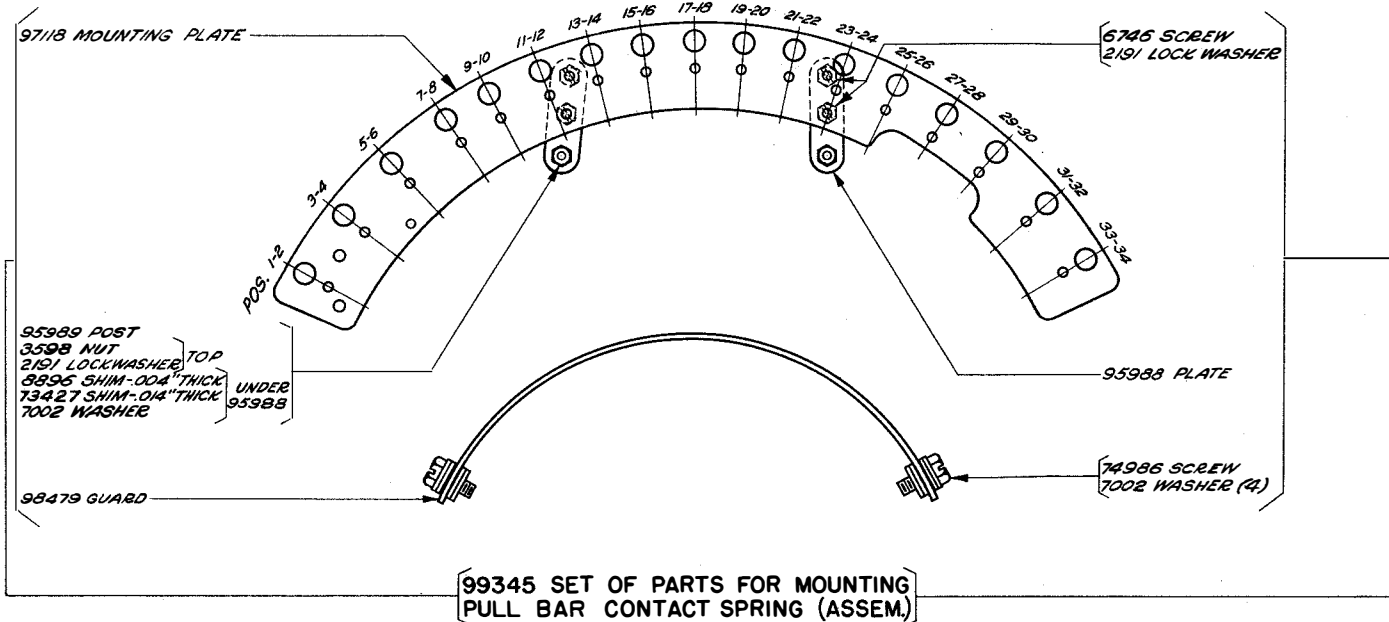
THE FOLLOWING PAGES ILLUSTRATE SPECIAL PARTS
REQUIRED ON UNITS TO BE MOUNTED IN CABINETS AND
HAVING "PULL BAR OPERATED CONTACTS".

(BELL SYSTEM 14-F SPECIAL TYPING REPERFORATOR UNIT)

ALL OTHER PARTS ARE THE SAME AS SHOWN ON THE
PRECEDING PAGES.

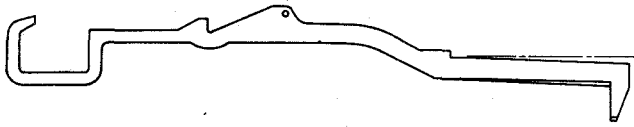


CONTACT SPRING (ASSEM.) AND MOUNTING PARTS
(FOR USE WITH PULL BARS (ALL METAL) SHOWN ON PAGE 33)



PULL BARS (ALL METAL)

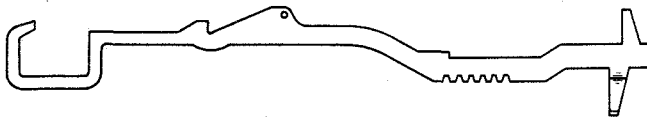
(FOR USE WITH CONTACT SPRING ASSEMBLIES SHOWN ON PAGE 32)



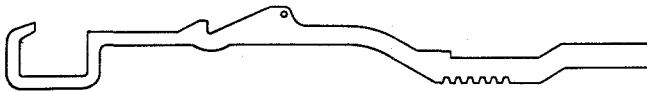
97119 PULL BAR - SPACE OR LTRS



97120 PULL BAR - UPPER CASE "S"



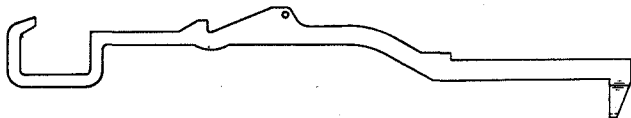
102878 PULL BAR - UPPER CASE "S"



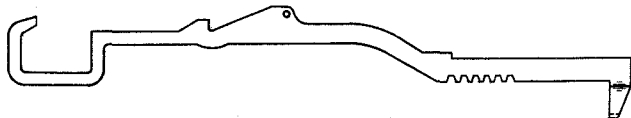
99459 PULL BAR "S"



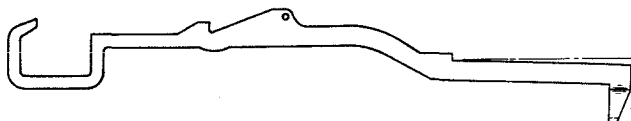
99460 PULL BAR - STANDARD



97123 PULL BAR - BLANK



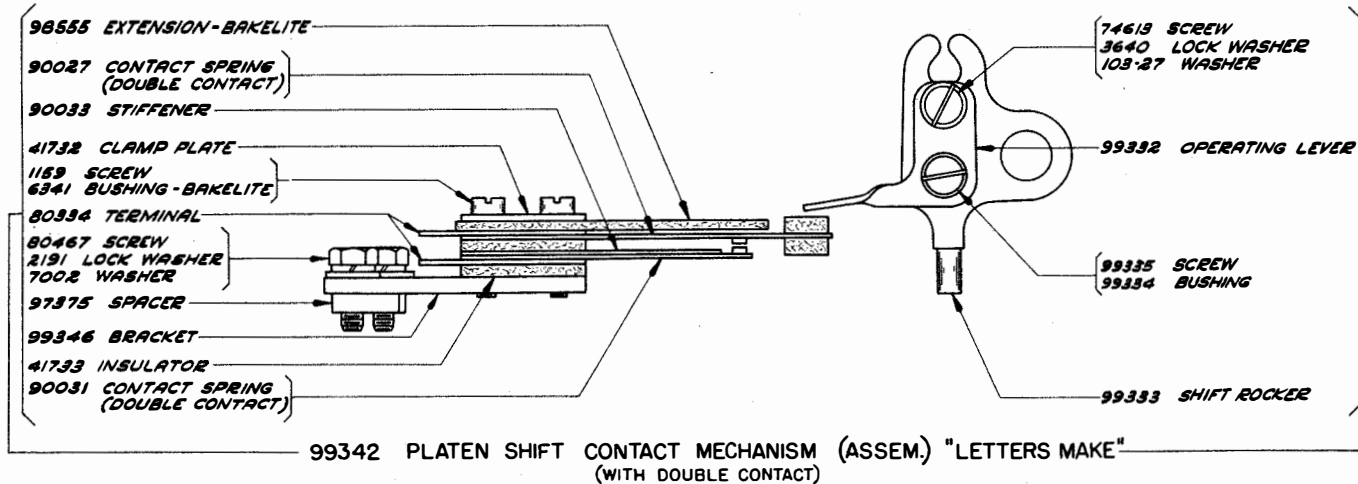
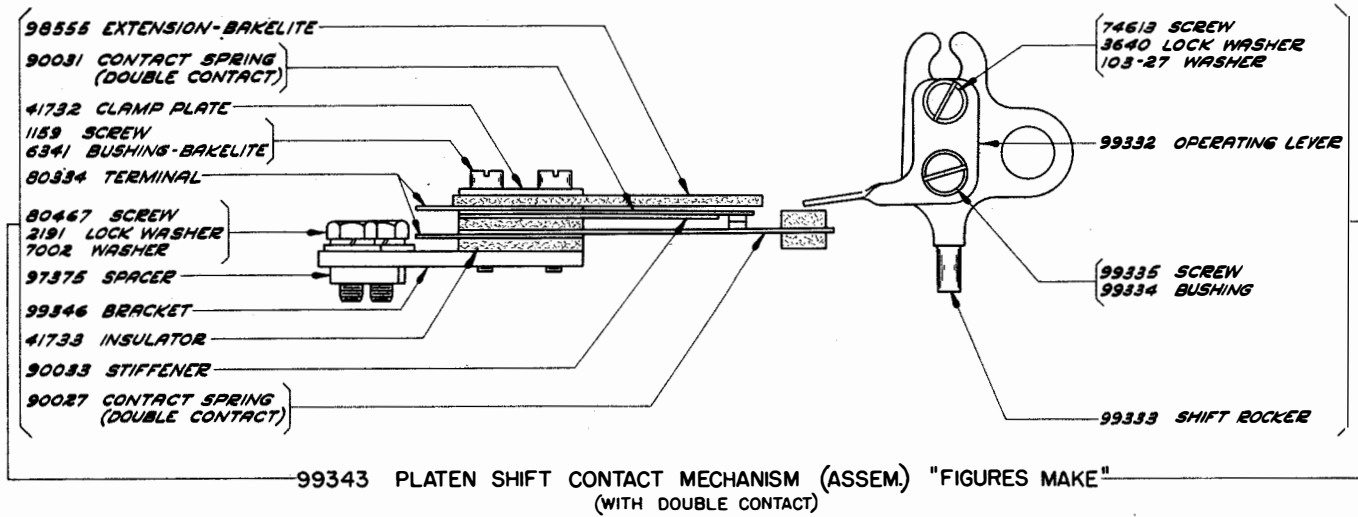
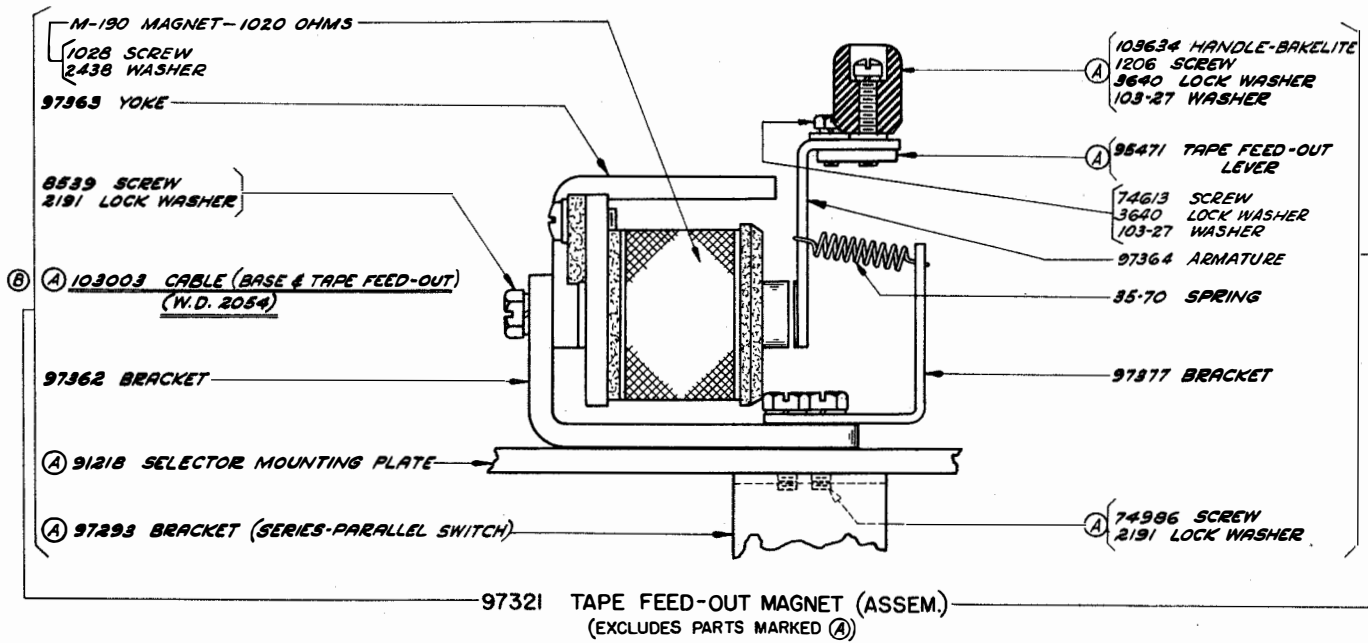
102864 PULL BAR - BLANK



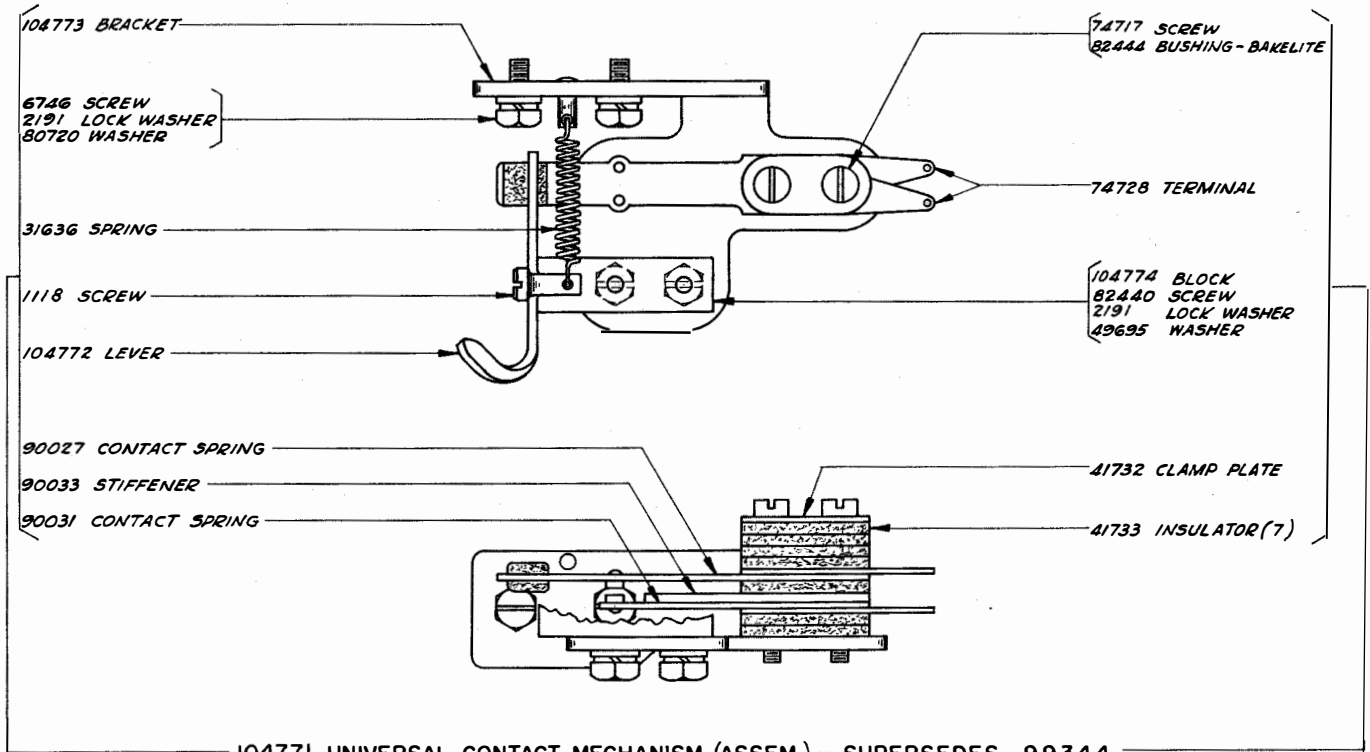
97124 PULL BAR - FIGS

NUMBER OF POSITION IN SEGMENT	PULL BARS		PULL BAR SPRING	CONTACT ASSEMBLY NUMBER
	DESCRIPTION	PART NUMBER		
1	SPACE	97119	7965 & 49645	97125
1				
2	LTRS.	97119	7965 & 49645	97125
2				
3	UPPER CASE "S"	97120	35-8	97125
3	UPPER CASE "S"	102878	7634	
4	"S"	99459	7634	
4				
5				
6				
7				
8				
9				
10				
11				
12				
13				
14				97125
15				
16				
17				
18				
19	STANDARD	99460	7634	
20				
21				
22				
23				
24				
25				97140
26				97140
27				
28				
29				
30				
31				97125
32	BLANK	97123	35-8	
32	BLANK	102864	7634	
33	FIGS.	97124	7634	
33				
34				

Ⓐ PULL BARS CANNOT BE USED IN POSITIONS MARKED Ⓐ IF A STANDARD COVER IS USED.

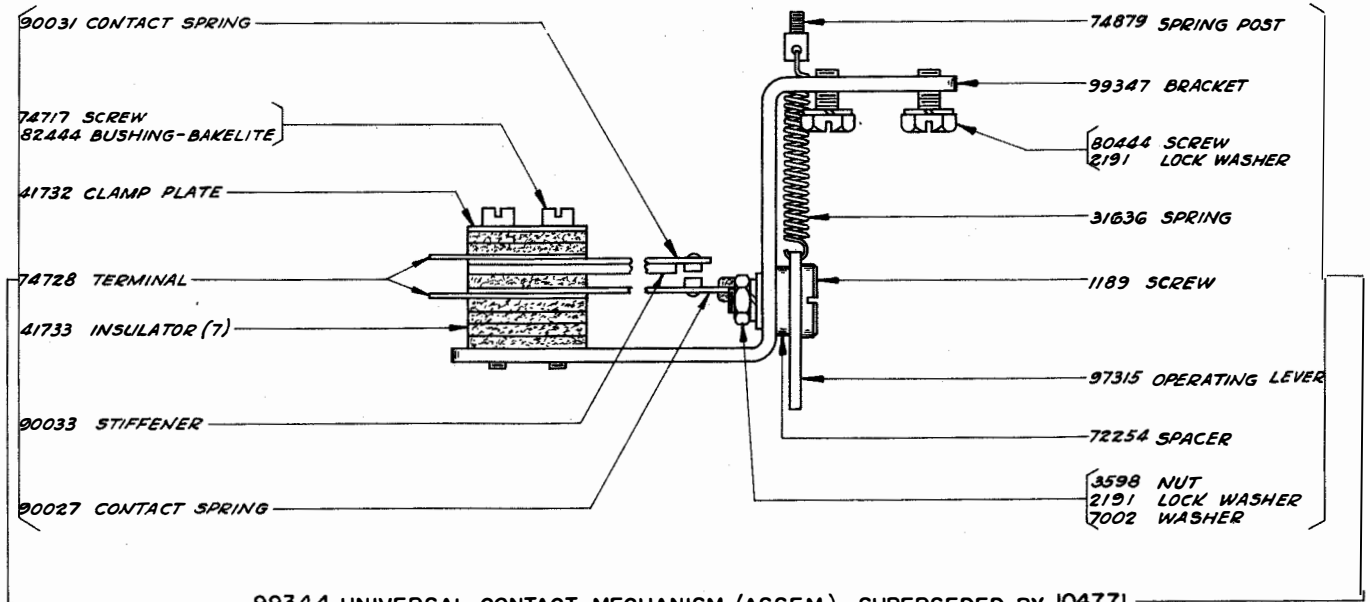


(B) SEE PAGE 37 FOR NOTES OF EXPLANATION



104771 UNIVERSAL CONTACT MECHANISM (ASSEM.)—SUPERSEDES 99344
(WITH DOUBLE CONTACT)

FOR USE EITHER ON UNITS HAVING A SQUARE GUIDE POST FOR THE MAIN BAIL
OR ON UNITS HAVING MAIN BAIL ROLLER GUIDES.



99344 UNIVERSAL CONTACT MECHANISM (ASSEM.)—SUPERSEDED BY 104771
(WITH DOUBLE CONTACT)

FOR USE ONLY ON UNITS HAVING A SQUARE GUIDE POST FOR THE MAIN BAIL.

NOTES OF EXPLANATION

Pages 1 and 2

- (A) The 98415 cover backstop-left, 5446 screw and 2191 lock washer have replaced the old 92213 cover backstop-left, 74014 screw, 2669 lock washer and 3438 washer. These old parts were used on the earlier models and were mounted approximately in the center of the left side of the base.

Page 6

- (C) This 75436 resistor - 3000 ohms (2000-1000) must be replaced by a 74614 resistor - 2600 ohms (2000-600) (shown on page 29) when a 97301 line relay filter unit (Assem.) is used.
- (D) The 97290 relay base does not have provisions for mounting the 99745 line and selector jack (Assem.) (shown on page 29). If it is desired to use the 99745 line and selector jack (assem.) a 99814 relay base may be ordered.

Page 9

- (A) The 95479 push rod has been redesigned to include the hexagonal portion as part of the rod, and retaining the same number. On the earlier models a 3599 nut was used with the plain 95479 push rod.

Page 22

- (A) The C-134 cover (Assem.)-walnut has an opening in the top, through which the tape feed-out lever handle may be operated manually.
- The C-142 cover (Assem.)-brown wrinkle does not have an opening in the top for operating the tape feed-out lever handle.
- (B) The 8778 cover stop arm (assem.), 7" long, is used on covers having the cover stop arm bracket located 3-3/8" from the cover hinge.
- The 103968 cover stop arm (assem.), 7-1/2" long, is used on covers having the cover stop arm bracket located 2-7/8" from the cover hinge.

Page 24

- (B) The 86933 set of motor and gear parts (for 368 o.p.m.) consists of the following parts:

82283	Motor - Synchronous	1
6745	Screw	4
2669	Lock Washer	4
93160	Washer	4
71047	Shims	16
78509	Gear - 30T	1
78510	Pinion - 7T	1
6746	Screw	1
2191	Lock Washer	1
76484	Fan - Motor	1
1179	Screw	1
2191	Lock Washer	1
6732	Motor Mounting Plate	1
7631	Guard - Wire	1
72739	Guard - Ball	1

- The 97476 set of motor and gear parts (for 460 o.p.m.) consists of the following parts:

82283	Motor - Synchronous	1
6745	Screw	4
2669	Lock Washer	4
93160	Washer	4
71047	Shims	16
88945	Gear - 24T	1
94267	Pinion - 7T	1
6746	Screw	1
2191	Lock Washer	1
76484	Fan - Motor	1
1179	Screw	1
2191	Lock Washer	1
6732	Motor Mounting Plate	1
7631	Guard - Wire	1
72739	Guard - Ball	1

Page 25

(B) The 86928 set of motor and gear parts (for 368 o.p.m.) consists of the following parts:

72586	Motor - Governed	1
6745	Screw	4
2669	Lock Washer	4
93160	Washer	4
71047	Shims	16
73106	Gear - 35T	1
71974	Pinion - 7T	1
6746	Screw	1
2191	Lock Washer	1
7661	Adjusting Lever	1
1100	Screw	1
2449	Lock Washer	1
8222	Wearing Strip	1
84047	Adjusting Lever Stop	1
6746	Screw	2
2191	Lock Washer	2
8330	Washer	2
80352	Center Contact Governor (Assem.)	1
6811	Screw	1
2191	Lock Washer	1
91617	Shims - Between 72586 and 80352	5
80341	Governor Brush and Speed Adjusting Bracket (Assem.)	1
72738	Guard - Bail	1
72566	Resistor - 200 Ohms	1
1297	Screw	1
7002	Washer	1
89969	Washer - Fibre	2
2191	Lock Washer	1
3598	Nut	1
6732	Motor Mounting Plate	1
78677	Cable - Motor (includes 7631 Guard - Wire)	1

The 99282 set of motor and gear parts (for 460 o.p.m.) consists of the following parts:

72586	Motor - Governed	1
6745	Screw	4
2669	Lock Washer	4
93160	Washer	4
71047	Shims	16
6991	Gear - 32T	1
7082	Pinion - 8T	1
6746	Screw	1
2191	Lock Washer	1
7661	Adjusting Lever	1
1100	Screw	1
2449	Lock Washer	1
8222	Wearing Strip	1
84047	Adjusting Lever Stop	1
6746	Screw	2
2191	Lock Washer	2
8330	Washer	2
80352	Center Contact Governor (Assem.)	1
6811	Screw	1
2191	Lock Washer	1
91617	Shims - Between 72586 and 80352	5
80341	Governor Brush and Speed Adjusting Bracket (Assem.)	1
72738	Guard - Bail	1
72566	Resistor - 200 Ohms	1
1297	Screw	1
7002	Washer	1
89969	Washer - Fibre	1
2191	Lock Washer	1
3598	Nut	1
6732	Motor Mounting Plate	1
78677	Cable - Motor (includes 7631 Guard - Wire)	1

Page 34

(B) The 103003 cable (base and tape feed-out) is used in bases of typing reperforator units having a tape feed-out magnet (assem.) which is controlled from an external source.

MISCELLANEOUS SETS OF PARTS

The 102240 set of parts is used to equip a Model 14 keyboard base and cover for use with a Model 14 typing reperforator unit. The following list comprises the set of parts:

97339	Set of Tape Reel Parts (Walnut)	1
	(Shown on Page 23)	
97290	Relay Base	1
6745	Screw	2
2669	Lock Washer	2
34432	Washer	2
97289	Bracket (Line Test Key)	1
1064	Screw	2
2191	Lock Washer	2
97299	Cover - Bakelite (Line Test Key)	1
33-57	Screw	1
2422	Lock Washer	1
103-27	Washer	1
98415	Cover Backstop - Left	1
5446	Screw	1
2191	Lock Washer	1
96506	Shaft (Tape-Out Lever)	1
96507	Tape-Out Lever	1
1161	Screw	1
2191	Lock Washer	1
96865	Cover Plate (Assem.) - (Walnut)	1
	(Shown on Page 22)	
1072	Screw - Thumb	2
2191	Lock Washer	2
3598	Nut	2

The 102241 set of parts is used to equip a Model 14 receiving-only base and cover for use with a Model 14 typing reperforator unit. The following list comprises the set of parts:

97339	Set of Tape Reel Parts (Walnut)	1
	(Shown on Page 23)	
97290	Relay Base	1
6745	Screw	2
2669	Lock Washer	2
34432	Washer	2
98415	Cover Backstop - Left	1
5446	Screw	1
2191	Lock Washer	1
96508	Cover Backstop - Right	1
96506	Shaft (Tape-Out Lever)	1
96507	Tape-Out Lever	1
1161	Screw	1
2191	Lock Washer	1
96865	Cover Plate (Assem.) - (Walnut)	1
	(Shown on Page 22)	
1072	Screw - Thumb	2
2191	Lock Washer	2
3598	Nut	2

NUMERICAL INDEX

C-134	Cover (Assem.) - Walnut, 22,36	1269	Screw (6-40 x 1/2), 11,28	6324	Adjusting Wheel, 26
C-142	Cover (Assem.) Dark Brown Wrinkle, 22,36	1272	Screw (6-40 x 11/16), 25	6330	Bearing (Assem.), 26
M-190	Magnet - 1020 Ohms, 34	1297	Screw (6-40 x 2-7/16), 6,2,5,37	6341	Bushing - Bakelite, 34
M-207	Coil - 92 Ohms, 20	2034	Washer, 28,32	6342	Wire, 22
W-6104	Nut (.164 - 36 Hex.), 26	2191	Lock Washer, 1-12,14,16-26,28,29,31,32,34,35,36,37	6344	Screw (6-32 x 11/32), 26
33-15	Screw (2-15 x 1/8), 11	2199	Nut (7/16-32 Hex.), 5	6345	Nut (6-32 Hex.), 26
33-57	Screw (2-56 x 9/32), 6	2201	Nut (5/16-32 x 7/16), 16, 28	6347	Screw (6-32 x 3/8), 26
33-58	Screw (6-32 x 7/16), 22	2322	Lock Washer, 19	6348	Screw (4-36 x 3/4), 26
33-85	Screw (2-56 x 3/8), 12	2378	Spacer Key Lever, 2	6685	Selector Sword, 20
33-86	Screw (4-40 x 1/8), 29	2382	Lock Washer, 1,2,31	6686	"T" Lever, 20
33-110	Screw (4-40 x 3/16), 29	2407	Lock Washer, 4	6689	Separator Plate, 20
33-111	Screw (2-56 x 3/16), 17	2422	Lock Washer, 6	6690	Pull Bar Stripper, 17
33-224	Screw (6-40 Shoulder), 9	2431	Selector Bar #1, 3	6692	Pull Bar - Standard, 27
33-280	Screw (2-56 x 3/16), 22	2432	Selector Bar #2, 3	6732	Motor Mounting Plate, 9, 36,37
33-346	Screw (6-40 Shoulder), 28	2433	Selector Bar #3, 3	6745	Screw (10-32 x 1/2), 6,9, 10,12,14-19,24,25,31,36, 37
34-1	Nut (1/4-32 Hex.), 9,11,12, 18,20	2434	Selector Bar #4, 3	6746	Screw (6-40 x 5/16), 1-11, 14,16-20,24-26,28,32,35, 37
34-4	Nut (10-32 Hex.), 1,2,5,10,14, 15,23,26	2435	Selector Bar #5, 3	6796	Screw (10-32 x 1/8), 14,17
34-11	Nut (2-56 Hex.), 22,24,25	2438	Washer, 8,34	6799	Screw (6-40 Shoulder), 9, 21
34-48	Nut (6-40 Hex.), 23	2449	Lock Washer, 9,14,25,37	6800	Screw (6-40 Shoulder), 4,9, 14,16,19,28
34-56	Nut (4-40 Hex.), 4,10,13,21, 28,29	2480	Spring Post, 18	6801	Screw (4-40 Pilot), 2,10, 21
34-58	Nut (10-32 Hex.), 31	2502	Mounting Strip, 4	6805	Screw (6-40 Shoulder), 2,3, 4,9,16
34-59	Nut (10-32 Hex.), 25	2503	Cover Plate, 4	6807	Screw (6-40 Set), 14,16,28
34-66	Nut (4-36 Hex.), 29	2504	Insulator, 4	6810	Screw (10-32 x 3/8), 5,7, 9,10,19
35-8	Pull Bar Spring, 33	2525	Key Lever Guide - Front, 2	6811	Screw (6-40 x 5/8), 1,2,4, 7,10,14,16,18-20,26,29, 31,37
35-27	Spring, 14	2526	Spacing Collar, 4	6814	Screw (6-40 Pilot), 4, 5
35-68	Spring, 9	2528	Spring Bar, 3	6825	Spring Bracket - Long, 16
35-70	Spring, 34	2529	Bushing - Bakelite, 4	6826	Spring Bracket - Short, 16
35-72	Spring, 28	2565	Spring - Key Lever, 2	6834	Ribbon Reverse Bail, 14
35-88	Spring, 13	2566	Spring - Spacer Key Lever, 2	6843	Bracket, 14
35-116	Spring, 12	2574	Upstop - Leather, 3	6859	Collar, 17
35-133	Spring, 2	2610	Bell, 5,10	6861	Washer - Felt - 18
36-24	Pin, 18	2623	Spring, 4,5,10	6863	Cam Sleeve Disc, 18
61-24	Washer - Fibre, 21	2663	Buffer - Rubber, 2	6874	Roller, 19
103-27	Washer, 6,11-13,21,29,34,35	2669	Lock Washer, 5-10,12,14-20, 23-26,31,36,37	6909	Stop Pawl, 21
122-48	Socket, 28	2920	Lock Washer, 14	6915	Code Bar Locking Lever, 11, 16
122-80	Guide Post, 12	3154	Shaft, 19	6916	Function Bar, 27
122-84	Dowel, 12	3329	Oil Cup, 19	6917	Function Bar, 27
122-86	Dowel, 12	3438	Spacer, 5,6,9,10,15-17,28, 31,36	6918	Link, 16
122-102	Spring Eye, 14	3458	Shims, 3	6920	Post, 10
122-365	Code Punch, 12	3595	Nut (1/4-32 Hex.), 12	6942	Screw (4-40 Eccentric), 4, 10
122-367	Shedder, 12	3597	Nut (5/32-40 x 1/4), 12	6952	Plunger Sleeve, 14
122-571	Guide Plate, 12	3598	Nut (6-40 Hex.), 2-5,9-12, 16,17,20-23,25,28,32,35, 37	6954	Strip - Leather, 17
122-574	Wearing Strip, 12	3599	Nut (4-40 Hex.), 2,6,11,20, 28,36	6955	Backstop, 17
122-577	Feed Roll, 12	3606	Nut (6-40 Hex.), 3,16,17, 20,28	6965	Fulcrum Rod, 17
122-697	Eccentric, 12	3608	Spring, 5	6966	Eccentric Stop, 21
122-700	Detent Lever, 12	3610	Spring, 16,27	6969	Main Bail Bracket, 15
123-27	Spring Post, 14	3626	Foot - Rubber, 1,3	6971	Clutch Lever, 18
123-244	Washer, 5,11,20	3628	Outlet - Bakelite, 1,2,3	6972	Type Bar Backstop (Assem.), 17
123-308	Spring Clip, 9	3640	Lock Washer, 4,6,8,10-13,21, 26,28,29,34,35	6979	Hub, 26
126-123	Outlet - Bakelite, 25	3646	Lock Washer, 6	6985	Main Bail Lever, 19
200-1348	Washer, 14	3650	Lock Washer, 1,7	6987	Sleeve, 19
700-76	Terminal, 28	4293	Insulator, 1,2	6989	Washer, 17
1010	Screw (6-40 Shoulder), 13	4581	Ground Terminal, 3	6990	Spring Arm, 19
1026	Screw (6-40 x 3/8), 7,9,11	4705	Spring, 12	6991	Screw (1/4-32 Pilot), 18,20
1028	Screw (4-40 x 1/4), 1,7,8,34	4807	Spring, 20	6993	Gear - 32T(460 O.P.M.), 25, 37
1030	Screw (6-40 Shoulder), 21	4809	Oil Wick - Felt - Long, 19	6999	Clutch Spring, 18
1064	Screw (6-32 x 1/4), 6,26	4810	Oil Wick - Felt, 5	7001	Post, 11
1072	Screw (6-40 Thumb), 22	4813	Oil Wick - Felt - Short, 19	7002	Washer, 1,2,3,8,17, 20
1073	Screw (6-40 hump), 21	4814	Lock Washer, 16	7007	Washer, 4-7,9-12,14,16,20- 22,25,26,28,29,31-35,37
1096	Screw (4-36 x 1/8), 1,2	4818	Lock Washer, 28	7018	Trip Plunger, 21
1100	Screw (1/4-32 Pilot), 19,25	4851	Ground Terminal, 1	7018	Bushing, 14
1118	Screw (6-40 Shoulder), 35,37	4881	Stiffener, 4	7020	Plunger, 14
1159	Screw (4-40 x 3/8), 34	5061	Ball Bearing, 25	7021	Bushing, 14
1160	Screw (6-40 x 5/16), 12	5363	Spring, 16,28	7022	Reverse Lever-Right, 16
1161	Screw (6-40 x 1/4), 5,11	5446	Screw (6-40 x 9/16), 1,2,36		
1162	Screw (4-40 x 1/4), 6,11,13,29	5475	Nut (3/16-40 Hex.), 20		
1163	Screw (4-40 x 5/16), 2,29	5740	Screw (2-56 x 1/4), 12		
1168	Screw (4-40 x 5/16), 26	5816	Washer - Fibre, 6		
1169	Screw (6-40 x 7/16), 12,28	6314	Contact Spring (Assem.), 16		
1172	Screw (2-56 x 5/16), 9	6318	Contact Spring Clamp, 26		
1174	Screw (4-40 Shoulder), 28	6319	Block, 26		
1176	Screw (6-40 x 3/16), 12,29	6320	Contact Screw, 26		
1179	Screw (6-40 x 5/8), 23,24,36	6323	Spring, 26		
1187	Screw (10-32 x 1/4), 1,3				
1189	Screw (6-40 x 3/8), 35				
1206	Screw (4-40 x 9/16), 21,34				
1207	Screw (4-36 x 5/16), 23				
1245	Screw (10-32 x 1), 19				
1253	Screw (8-32 x 3/8), 6				

NUMERICAL INDEX

7023	Reverse Lever - Left,16	7435	#15,27	9203	Bracket (With Rollers),3
7024	Reverse Pawl - Right,16	7436	#16,27	9209	Key Lever - Lower,2
7025	Reverse Pawl - Left,16	7437	#17,27	9210	Key Lever - Center,2
7027	Roller,14	7438	#18,27	9211	Key Lever - Upper,2
7029	Shaft,14	7439	#19,27	31636	Spring,35
7032	Pawl,4	7440	#20,27	33038	Spring,28
7033	Bracket,16	7441	#21,27	34432	Washer,5,6,7,21
7034	Bushing,16,28	7442	#22,27	35503	Foot - Rubber,22
7035	Ribbon Shaft,16,28	7443	#23,27	35551	Screw (10-32 x 3/8),23
7036	Collar,16,28	7444	#24,27	36273	Washer,29
7037	Washer,17,23	7445	#25,27	41732	Clamping Plate,26,28,34,35
7038	Shaft,16,28	7446	#26,27	41733	Insulator,26,28,34,35
7039	Collar,16	7447	#27,27	42661	Spring,13
7042	Gear - Bevel - 36T,16,28	7448	#28,27	49645	Full Bar Spring,33
7044	Arm,16	7484	Code Bar Post,17	49695	Washer,35
7067	Collar,14	7599	Spring,14	55229	Screw (1-64 x 1/8),32
7068	Gear - Bevel - 36T,14	7602	Spring,21	55309	Screw (6-32 x 1/2),1
7070	Ribbon Feed Lever,14	7603	Spring,12,21	55344	Screw (10-32 x 1-5/8),7
7078	Post,2,3	7607	Collar,21	70073	Nut (3-48 Hex.),14
7080	Spacer Bar Loop,2	7610	Main Shaft Bracket (With	70177	Screw (6-40 Pilot),3
7081	Spring Post,4		70838 Bearing Brackets,	70361	Resistance Unit (Assem.)
7082	Pinion - 8T (460 O.P.M.),		6811 Screws and 2191		(250-500-1000 Ohms.),8
	25,37		Lock Washers),18,19	70470	Lockout Bar,2
7091	Insulator,10	7614	Spring,20	70497	Nut,18
7092	Slip Connection Strip (Assem.),	7615	Spring,18	70529	Stiffener,28
	7	7631	Wire Guard,24,36	70707	Bracket,8
7093	Connection Strip,7	7634	Spring,27,33	70722	Resistor - 500 Ohms,8
7094	Connection Spring,7	7654	Shim,4	70724	Insulator,8
7095	Plate,7	7661	Adjusting Lever,25,37	70771	Oiler,25
7096	Bushing - Bakelite,1,2	7824	Oil Wick - Felt,18	70785	Spring Post,3,5
7099	Screw (10-32 Thumb),1,2	7825	Spring,27	70793	Washer,16,28
7188	Bearing Bracket,10	7835	Ribbon Spool (With Black	70794	Reversing Lever,16
7198	Guard - Gear,5		Ribbon),16	70796	Ribbon Spool Cup,16,28
7199	Trip-Off Pawl,2	7885	Type Bar (Without Pallet)	70815	Gear - 40T,5
7287	Universal Bar,3		#29,27	70816	Gear - 35T,10
7290	Shaft,10	7965	Spring,13,27,33	70832	Glass Rail,22
7318	Contact Levers,4	8094	Brush (With Springs),25	70838	Bearing Bracket,18,19
7334	Post,2,3	8097	Cam Sleeve,5	70871	Spring Bracket,16
7336	Gear - 19T,10	8157	Selector Lever - Right,20	70872	Brush Holder (With Insul-
7337	Washer - Felt,1,2	8158	Selector Lever - Left,20		ator),25
7338	Post,1,2	8165	Washer,26	70873	Brush Holder Cap,25
7362	Glass,22	8170	Pad - Felt,1,2	70884	Bushing - Eccentric,2
7372	Bracket,5	8222	Wearing Strip,25,37	70885	Washer - Spring,2
7373	Bearing Bushing,4	8254	Cable Clamp,1,3	70886	Washer,2
7375	Key Lever Shaft,3	8308	Cable Clamp,28	70887	Nut (3/16-24 Hex.),8
7377	Lock Loop,4	8330	Washer,9,12,23,25,37	71047	Shim,9,17,24,25,36,37
7380	Transmitter (Assem.),4	8362	Guide Post,15	71073	Washer,20
7381	Contact Mounting (Assem.),4	8448	Lockout Lever (With Roll-	71161	Bushing,5
7382	Bracket,4		ers),9	71189	Copper Bearing Retainer,25
7383	Oiler,4	8457	Function Bar,27	71266	Washer,16,28
7385	Bracket,4	8458	Function Bar,27	71444	Outlet - Bakelite,28
7386	Stud,4,9	8459	Function Bar,27	71449	Key Lever Guide,3
7387	Brace,4	8461	Post,9	71635	Bell Bracket (Assem.),10
7388	Shaft,5	8462	Adjusting Lever,9	71646	Nut (6-32 Hex.),22
7389	Clutch - Driving,5	8465	Bell Bracket,9,10	71670	Resistance Mounting Block,7
7391	Clutch - Driven,5	8474	Main Bail Plunger,14	71671	Jack Spring - Left,7
7394	Spacer Bar,2	8485	Bracket,5	71672	Cable Clamp,1,2
7395	Stop Plate,2	8488	Bushing,5	71675	Jack Spring - Right,7
7396	Bracket,3	8489	Locking Pawl,5	71681	Ribbon Spool (Empty),16
7397	Bracket,3	8493	Pawl,14	71686	Shift Rocker Lever,9
7398	Clamp Plate,1,2	8494	Spring Post,5	71695	Bushing,9
7399	Backstop,1,2	8495	Post,5	71697	Clamping Plate,21
7402	Contact Spring,1,2	8497	Bell Hammer,10	71826	Stud,5
7403	Contact Spring,1,2	8498	Bell Hammer,5	71969	Shift Rocker Arm,9
7404	Lockout Levers,4	8499	Shaft (With Ratchet	71970	Shift Rocker,9
7406	Lockout Lever Shaft,4		and Detent),14	71974	Pinion - 7T (368 O.P.M.),
7407	Spacing Collar,4	8501	Gear Hub (With 8495		25,37
7408	Gear - Spiral - 19T,18		Post),5	71976	Stop Pawl Plate,21
7409	Clutch Lever,4	8504	Post - Round,7	71980	Roller,9
7415	Nut (1/2-32 Hex.),18	8505	Post - Hex.,7	71981	Rivet,9
	Type Bars (Without Pallets)	8509	Main Bail (With Dowel),15	71982	Bushing,9
7421	#1,27	8510	Adjusting Clamp (With	71998	Brush Holder Ring (With
7422	#2,27		8486 Post),5		80706 Screw),25
7423	#3,27	8539	Screw (6-40 x 1/2),2,3,5,	71999	End Play Spring,25
7424	#4,27		7,16,20,28,34	72021	Resistance Mounting Block
7425	#5,27	8543	Screw (6-40 x 1/4),12,23		(Assem.),7
7426	#6,27		28	72022	Terminal Block (Assem.),7
7427	#7,27	8778	Cover Stop Arm (Assem.)	72023	Base Cover Plate,1,3
7428	#8,27		7" Long,22,36	72144	Pin,22
7429	#9,27	8884	Terminal Block,10	72254	Spacer,35
7430	#10,27	8896	Shim - .004" Thick,4,11	72263	Spring Post,11
7431	#11,27		32	72425	Cord (With 82474 Terminals),
7432	#12,27	9177	Contact Spring,4		8
7433	#13,27	9178	Contact Spring,4	72426	Power Cord (Assem.),8
7434	#14,27	9182	Contact Lever Shaft,4		

NUMERICAL INDEX

72481	Plug Polarized, 8	75087	Screw (6-32 Shoulder), 23	78978	(Line Feed), 27
72508	Screw (6-40 x 3/4), 12	75226	Oil Wick - Felt, 14	78980	(S Bell), 27
72513	Driving Disc, 18	75229	Spring, 16	78981	(H #), 27
72514	Spring, 18	75231	Bushing - Bakelite, 29	78982	(F 1/4), 27
72515	Nut (5/16-32 Hex. L.H.), 18	75429	Screw (10-32 x 1 1/2), 8	78983	(L 3/4), 27
72517	Nut (5/16-32 Hex. L.H. Special), 18	75430	Strap, 8	78984	(C 1/8), 27
72521	Oil Wick - Felt, 18	75431	Relay Bracket, 6	78985	(V 3/8), 27
72522	Oil Wick - Felt, 18	75432	Bracket, 5, 7	78986	(B 5/8), 27
72555	Screw (6-40 Set), 21	75436	Resistor - 3000 Ohms (2000-1000), 6, 36	78987	(M 7/8), 27
72562	Clutch - Driving, 18	75517	Pull Bar Guide, 17	78988	(K 1/2), 27
72563	Washer - Felt, 18	75522	Cable - Base, 1	78993	(J), 27
72565	Lock Washer, 18	75606	Spring, 4	79523	Screw (2-56 Special), 29
72566	Resistor - 200 Ohms (100-100), 25, 37	75607	Washer, 4	80153	Resistor - 1410 Ohms, (600-810), 6
72576	Main Shaft (With Gear Hub), 18	75687	Bearing, 9	80177	Insulator, 2
72579	Washer, 18	75750	Washer - Bakelite, 6	80178	Insulator, 2
72586	Motor, 1/17 H.P., 130 V., D.C., 25, 37	76167	Screw (4-40 x 3/16), 12, 28	80180	Spring Clip, 2
72587	Armature, 25	76275	C Lamp Plate, 14	80299	End Play Spring, 24
72595	Spring, 9	76484	Fan, 24, 36	80309	Washer - Felt, 24
72644	Ball Bearing, 18	77307	Cover and Guard, 2	80310	Washer - Felt, 24
72738	Guard, 9, 25, 37	77451	Stop, 5	80311	Washer - Cupped, 24
72739	Guard, 9, 24, 36	77626	Front Plate - Walnut, 1	80312	Washer, 24, 25
72835	Contact Point, 26	77627	Guard - Walnut, 1	80313	Washer, 24
72883	Washer - Felt, 18	77628	Front Plate (Assem.) - Walnut (Bell System 14-A), 1	80334	Terminal, 26, 34
72884	Disc, 18	77649	Condenser (1/4 - 1/2 M.F.), 8	80335	Clamping Plate, 26
72885	Spring, 18	77920	Screw (6-40 x 1-15/16), 21, 29	80336	Insulator, 26
72999	Power Cord (Assem.), 8	77955	Washer, 17	80337	Bracket, 26
73106	Gear - 35T (368 O.P.M.), 25, 37	78015	Gear - 40T, 5	80338	Governor Adjusting Bracket, 26
73107	Bushing, 18	78025	Screw (4-48 x 3/16), 24, 25	80340	Brush Spring Plate, 26
73176	Switch Case, 2	78029	Oil Wick - Felt, 5	80341	Governor Brush and Speed Adjusting Bracket, 26, 37
73181	Break Key, 2	78125	Type Bar (Without Pallet) #0, 27	80342	Screw (6-40 x 23/64), 14, 16, 26, 28
73231	Steel Bearing Retainer, 25	78163	Selector Post, 20	80352	Center Contact Governor (Assem.), 26, 37
73232	Washer - Felt, 25	78164	Selector Post, 20	80358	Ball Bearing, 24
73236	Field Frame (With 70771 Oiler), 25	78244	Oil Cup, 14	80444	Screw (6-40 x 1/4), 12, 20, 26, 35
73237	End Shield (With 70771 Oiler), 25	78281	Name Plate, 22	80460	Cable Clamp, 31
73240	Field Core, 25	78398	Bushing, 26	80467	Screw (6-40 x 3/8), 34
73241	Field Coil, 25	78399	Outer Disc Brush Spring (With Brush), 26	80471	Spring, 5
73242	Insulation (For One Field Coil), 25	78400	Inner Disc Brush Spring (With Brush), 26	80478	Backstop, 13
73243	Locking Wedge, 25	78403	Contact Brush, 26	80508	Screw (4-40 x 25/32), 32
73244	Screw (10-32 x 7/8), 25	78419	Screw (4-36 x 3/16), 29	80558	End Shield (With 80754 Oiler), 24
73357	Terminal End (Assem.), 8	78437	Insulator, 26	80566	Bushing - Bakelite, 2
73392	Bushing, 15	78438	Bushing, 26	80581	Spring, 5
73393	Set of Keyboard Lockout Parts, 2	78439	Governor Shell, 26	80592	Contact Spring, 28
73419	Shim, 9	78443	Outer Contact Disc, 26	80706	Screw (6-40 Set), 25
73427	Shim - .014" Thick, 32	78451	Cover, 26	80720	Washer, 35
73481	Tape Tension Lever, 12	78474	Screw (2-56 x 1/4 Brass), 22	80727	Screw (6-40 x 39/64), 28
73482	Stud, 12	78496	Outer Disc Contact Spring, 26	80728	Washer, 28
73595	Clamping Stud, 25	78497	Inner Contact Spring, 26	80754	Oiler, 24
73611	Oil Wick - Felt, 10	78509	Gear - 30T (For 368 O.P.M.), 24, 36	80755	Bushing - Bakelite, 28
73670	Terminal Block (Assem.), 1, 7	78510	Pinion - 7T (For 368 O.P.M.), 24, 36	80757	Screw (10-32 x 1/2), 12
73829	Adapter Plate, 1	78596	Washer, 21	80825	Signal Lamp (Assem.), 28
73894	Screw (6-40 Set), 28	78597	Screw (10-32 Shoulder), 21	80826	Bracket, 28
74006	Bushing, 14	78677	Cable (With 7631 Wire Guard), 25, 37	80827	Lamp - Clear - 120V., 28
74008	Roller, 14	78946	Spring Cushion Keytops	80828	Cover (Assem.) (With 101003 Jewel - Amber), 28
74014	Screw (10-32 x 1/4), 23, 31, 36	78949	A -), 27	80845	Screw (10-32 x 1-13/16), 29
74059	Screw (6-40 x 7/32), 21, 29, 31	78950	D 3), 27	81598	Bushing, 12
74286	Bail Guide, 14	78952	E 3), 27	81603	Tape Knife, 12
74334	Washer, 14	78953	G &), 27	81638	Collar, 12
74399	Screw (6-40 Pilot), 11, 20	78954	H 2), 27	81790	Contact Cover, 4
74502	Clutch - Driven, 18	78958	I 8), 27	81825	Condenser - 1/100 M.F., 29
74526	Collar, 28	78960	M .), 27	82279	Clip, 23
74536	Screw (6-40 x 5/32), 28	78961	O 9), 27	82281	Guide - Rear, 23
74554	Spring Post, 12	78962	P 0), 27	82283	Synchronous Motor, 1/40 H.P., 110V., 60 Cycle A.C., 24, 36
74554	Spring Post, 12	78963	Q 1), 27	82392	Shim, 12
74613	Screw (4-40 x 1/4), 34	78964	R 4), 27	82440	Screw (6-40 x 7/16), 18, 20
74614	Resistor - 2600 Ohms (2000-600), 29, 36	78965	T 5), 27	82444	Bushing - Bakelite, 32, 34, 35
74701	Spring, 28	78966	U 7), 27	82471	Name Plate, 25
74717	Screw (4-40 x 11/16), 32, 34, 35	78967	W 2), 27	82474	Terminal, 8, 29
74722	Washer, 11, 20	78968	X 1), 27	82487	Connector Spring, 7, 28
74728	Terminal, 28, 34, 35	78969	Y 6), 27		
74785	Roller, 28	78970	Z "), 27		
74879	Spring Post, 13, 28, 35	78971	Blank), 27		
74952	Screw (4-40 x 5/8), 28	78972	Figs.), 27		
74964	Contact Spring, 28	78973	Ltrs.), 27		
74986	Screw (6-40 x 13/32), 3, 12, 17, 20, 21, 32, 34	78976	Car.Ret.), 27		

NUMERICAL INDEX

82488	Terminal Block,28	90511	Screw (6-40 x 13/16),20	95421	Bell Crank - #1,11
82489	Connection Strip,7,28	90512	Bracket,20	95422	Bell Crank - #2,11
82490	Insulator,7,28	90513	Screw (6-40 Eccentric),20	95423	Bell Crank - #3,11
82492	Connecting Strip (Assem.),28	90514	Screw (3/16 - 40 Pivot), 20	95424	Bell Crank - #4,11
82619	Terminal Block (Assem.),28	90515	Screw (3/16-40 Pivot),20	95425	Bell Crank - #5,11
82709	Cable - Lamp,28	90516	Selector Arm,20	95426	Spacer,11
82741	Name Plate,24	90517	Spring,20	95427	Stud,11
82839	Rotor (Assem.)(With Bearings and Switch),24	90518	Locking Wedge,20	95428	Spring,11
82840	Rotor (Assem.),24	90519	Screw (2-56 x 5/32),20	95429	Spring Bracket,11
82841	Switch Commutator,24	90520	Armature Lever,20	95430	Spring,9
82843	Spring,24	90524	Screw (4-40 x 17/32),20	95431	Bell Crank - #1,11,16
82845	Washer,24	90752	Washer - Felt,19	95432	Bell Crank - #2,11,16
82848	Brush Holder (With Brush),24	90760	Range Scale (Assem.),21	95433	Bell Crank - #3,11,16
82850	End Shield (With 80754 Oiler), 24	90774	Bell Crank,21	95434	Bell Crank - #4,11,16
83395	Retainer - Walnut,23	90775	Range Scale (With Bell Crank Mounting),21	95435	Bell Crank - #5,11,16
83408	Screw (4-40 x 3/16),8,29	90791	Lock Washer,20	95436	Separator,11
83577	Slip Connection Strip (Assem.), 7	90814	Resistor - 1000 Ohms,29	95438	Nut (6-40 Special),11
83856	Screw (4-40 x 11/16),32	90815	Resistor - 5000 Ohms,21	95440	Spacer,12
84015	Cable Clamp,31	91099	Spacer,31	95442	Stud (1/4-32 Special), 9
84023	Spring,12	91120	Spring,20	95443	Screw (1/4-32 Pilot), 12
84047	Adjusting Lever Stop,25,37	91218	Selector Mounting Plate (With Posts),20,21,34	95444	Selector Finger,11
85355	Tape Plate,12	91265	Cam Sleeve,18	95445	Punch Ball,11
85561	Clamp,9	91266	Retaining Disc,18	95446	Feed Pawl,12
85713	Screw (4-48 x 5/16),24	91617	Shim,25,37	95447	Eccentric,12
86868	Bushing,26	91621	Window,22	95448	Spring Post,12
86869	Post,26	91683	Nut (15/32-32 Hex.),1,2,21	95449	Ribbon Guide,12
86919	Lock Plate,12	91684	Nut (15/32-32 Ring),1,2,21	95451	Punch Block (Assem.), 12
86920	Star Wheel,12	91685	Screw (4-48 x 1/8),24	95452	Guide & Die Plates (Fitted Together),12
86928	Set of Motor and Gear Parts (For 368 O.P.M.),25,37	91753	Bracket,21	95454	Code Punch Stripper,12
86933	Set of Motor and Gear Parts (For 368 O.P.M.),24,36	91754	Guard,21	95455	Feed Punch Stripper,12
87636	Screw (2-56 x 3/16),22,24,25	91755	Toggle Switch (Assem.),21	95456	Spring,12
87645	Counter Bracket,28	91757	Strip - Felt,22	95457	Spring Retainer,12
87646	Release Ball,28	91837	Washer - Fibre,25	95458	Punch Holder,12
87647	Sleeve,28	91899	Type Bar Segment (With 89906 Posts),17	95459	Stud (6-40 Special),11
87648	Worm Follower,28	92003	Name Plate - Brass,22	95460	Punch Cam,18
87650	Worm,28	92169	Bracket,29	95461	Code Bar #1J,27
87651	Worm Shaft,28	92204	Cable Clamp,28	95462	Code Bar, #2J,27
87652	Contact Bracket,28	92213	Cover Backstop - Left,36	95463	Code Bar, #3J,27
87654	Feed Pawl,28	92216	Filter (Assem.),29	95464	Code Bar, #4J,27
87656	Spring,28	92221	Transmitting Contacts Filter (Assem.),29	95465	Code Bar, #5J,27
87693	Name Plate (Assem.) Walnut,22	92273	Magnet Core,20	95466	Guide Plate,9
87855	Adjusting Bracket,28	92291	Condenser - 1/10 M.F.,29	95467	Reversing Lever,16,28
88879	Brush Holder Support (Assem.), 24	92309	Resistor - 400 Ohms,29	95471	Tape Feed-Out Lever, 21,34
88945	Gear - 24T(For 460 O.P.M.), 24,36	92511	Roller,4	95472	Spacer,21
89080	Guard,7,8	92534	Line Test Key (W.E.Co. 92AU),6	95473	Collar,21
89086	Tape Reel,23	92668	Spring Post,13	95474	Platen Shaft,9
89087	Core,23	92724	Shielding Tube,29	95475	Collar,9
89088	Filler - Wood,23	92748	Screw (6-40 x 1-7/16),29	95476	Platen (With 103538 Insert),9
89089	Retainer,23	92749	Lead - 2" Long,29	95477	Platen Block,9
89405	Bushing,24	92750	Lead - 2 1/2" Long,29	95478	Spring,9
89406	Washer - Spring,24	93160	Washer,9,24,25,36,37	95479	Push Rod,9,36
89407	Cotter Pin,24	93191	Screw (4-40 x 5/16),12	95483	Post,12
89500	Feed Punch,12	93880	Bracket,29	95484	Punch Arm (With 72263 Spring Post),11
89896	Oil Cup,4	93881	Condenser (Assem.),29	95487	Screw (1/4-32 Pilot), 11
89897	Nut (10-32 Hex.),4,5,10	93885	Transmitting Contacts Filter Unit (Assem.),29	95488	Link - Front,11
89906	Post,17	93891	Guard,28	95489	Link - Rear,11
89917	Screw (4-40 x 9/32 Eccentric), 4	94267	Pinion - 7T (For 460 O.P.M.), 24,36	95490	Bushing - Front,11
89925	Terminal End,8	94707	Insulator,24	95491	Spacer,12
89946	Name Plate,24	95320	Toggle Switch (Assem.),1,2	95493	Cam Roller,11
89969	Washer - Fibre,25,37	95321	Key and Switch Unit (Assem.), 2	95496	Spring,11
90024	Retainer,20	95401	Link - #1,11	95499	Upstop,11
90027	Contact Spring,34,35	95402	Link - #2,11	95942	Bushing - Rear,11
90031	Contact Spring,34,35	95403	Link - #3,11	95971	Screw (4-40 x 1/2),12
90033	Stiffener,34,35	95404	Link - #4,11	95988	Plate,32
90043	Armature Bracket,20	95405	Link - #5,11	95989	Post,32
90069	Detent Post,20	95406	Bell Crank,9	96258	Connector Wire - 3" Long,29
90088	Trip Latch,21	95409	Shift Lever,9	96483	Bracket - Walnut,23
90260	Spring,4	95411	Bell Crank - #1,11	96484	Tape Reel Container, -Walnut,23
90263	Wound Stator (With Base),24	95412	Bell Crank - #2,11	96485	Bushing - Bakelite,8
90265	Screw (6-40 Special),20	95413	Bell Crank - #3,11	96506	Shaft,5
90438	Oil Ring - Felt,4,5	95414	Bell Crank - #4,11	96507	Tape-Out Lever,5
90505	Locking Lever,20	95415	Bell Crank - #5,11	96508	Cover Backstop - Right,1
90507	Top Plate,20	95416	Bushing,11		
90508	Spring Arm,20	95417	Separator,11		
90509	Detent,20	95418	Stud (Special),11		
90510	Spring,20				

NUMERICAL INDEX

96763	Shim - .012" Thick,18	97476	Set of Motor and Gear Parts (For 460 O.P.M.),24,36	98999	#17 (O 9),27
96764	Shim - .016" Thick,18			99001	#18 (H 8),27
96765	Shim - .020" Thick,18	97480	Cord - Line (21 Conductor), 31	99002	#18 (H #),27
96837	Bearing,12			99005	#19 (L 3/4),27
96838	Plate,12	97603	Set of Cabinet Mounting Parts,31	99006	#20 (U 7),27
96839	Tape Platform,9			99007	#21 (M #),27
96840	Feed Roll Bracket,12	97605	Printer Support,31	99010	#22 (Y 6),27
96841	Back Stop,11	97731	Cord - Power (With 91230 Terminal),31	99011	#23 (P 0),27
96842	Tape Chute,12			99014	#24 (B 5/8),27
96843	Screw (8-40 x 17/32),10	97847	Plug (21 Prongs),31	99017	#25 (K 1/2),27
96844	Main Bracket,12	98150	Oiler - Felt,14	99019	#26 (Z #),27
96845	Spacer,12	98151	Clip,14	99021	#27 (I 1),27,28
96846	Tape Guide,12	98415	Cover Backstop - Left,1,2, 36	99024	#28 (A A),27
96865	Cover Plate (Assem.), Walnut,22			99032	#27 (< <),27
96889	Post,11	98479	Guard,17,32	99033	#28 (≡ ≡),27
97118	Mounting Plate,32	98555	Extension - Bakelite,34	99034	#29 (≡ ≡),27
97119	Pull Bar - Space or Ltrs, 33	98646	Plate,32	99036	#0 (O),27
			<u>Code Name Plates</u>	99109	Connecting Block (Assem.),6
97120	Pull Bar - Upper Case "S",33	98751	14-M Typing Reperforator Unit,8	99143	Pad - Right,22
97123	Pull Bar - Blank,33	98752	14-N Typing Reperforator Unit,8	99144	Pad - Right,22
97124	Pull Bar - Figs,33	98753	14-P Typing Reperforator Unit,8	99145	Pad - Right,22
97125	Contact Spring (Assem.),32,33	98754	14-R Typing Reperforator Unit,8	99282	Set of Motor and Gear Parts (For 460 O.P.M.),25,37
97126	Contact Spring,32	98755	14-F Special Typing Reperforator Unit,8	99332	Operating Lever,34
97127	Contact Spring,32			99333	Shift Rocker,34
97128	Extension - Bakelite,32	98756	14-S Typing Reperforator Unit,8	99334	Bushing,34
97130	Contact Spring,32	98757	14-T Typing Reperforator Unit,8	99335	Screw (6-40 Shoulder), 34
97131	Contact Spring,32	98758	14-U Typing Reperforator Unit,8		
97132	Stiffener,32	98759	14-W Typing Reperforator Unit,8	99337	Contact Spring,32
97133	Stiffener,32	98774	Code Name Plate (14-N Typing Reperforator Base),8	99338	Contact Spring,32
97135	Clamp Plate,32			99339	Contact Spring,32
97136	Bushing - Bakelite,32	98775	Code Name Plate (14-M Typing Reperforator Base),8	99340	Contact Spring,32
97137	Insulator (.047),32			99342	Platen Shift Contact Mechanism (Assem.) "Letters Make",34
97138	Insulator,32	98842	Bracket,11	99343	Platen Shift Contact Mechanism (Assem.) "Figures Make",34
97139	Insulator (.016),32	98873	Base Plate (With Feet),9	99344	Universal Contact Mechanism (Assem.), 35
97140	Contact Spring (Assem.),32, 33	98877	Operating Arm,19	99345	Set of Parts for Mounting Pull Bar Contact Spring (Assem.) 32
		98897	Base - Receiving only - Black Gloss,1	99346	Bracket,34
97141	Terminal,32		<u>Type Bar Pallets</u>	99347	Bracket,35
97288	Bracket,29	98901	S 1,27	99401	Base (Sending-Receive- ing) Black Gloss,2,3
97289	Bracket,6	98903	Z W,27	99402	Cable-Line Relay Unit, 6
97290	Relay Base,6,36	98904	M .,27	99408	Line Relay Unit (Assem) (Without Line Test Key),6
97291	Screw (10-32 x 1-11/16),29	98908	J .,27	99409	Line Relay Unit (Assem) (With Line Test Key),6
97292	Link,20	98912	A .,27		
97293	Bracket - Series Parallel Switch,21,34	98915	Q 1,27	99459	Pull Bar "S",33
		98916	W 2,27	99460	Pull Bar - Standard,33
97294	Guard - Gear,9	98917	I 8,27	99744	Resistor - 8000 Ohms,6
97295	Cable (Series-Parallel Switch),21	98918	P 0,27	99745	Line and Selector Jack (Assem.),29,36
		98919	G &,27	99802	Clamp Plate,29
97296	Screw (10-32 x 5/16),19	98920	H E,27	99803	Insulator,29
97297	Handle,19	98924	H #,27	99804	Insulator,29
97298	Series-Parallel Switch Bracket (Assem.),21	98928	R 4,27	99805	Plunger - Bakelite,29
		98929	Y 6,27	99806	Bracket,29
97299	Cover - Bakelite,6	98930	E 3,27	99807	Contact Spring,29
97301	Line Relay Filter Unit (Assem.),29,36	98931	T 5,27	99809	Contact Spring,29
		98932	U 7,27	99814	Relay Base,36
97302	Bracket,29	98933	O 9,27	99947	Tool,12
97303	Bracket,29	98934	C 1/8,27	101003	Jewel-Amber,28
97304	Wave Shaper (Assem.),29	98935	F 1/4,27	101083	Spring,19
97305	Lead,29	98936	V 3/8,27	101436	Main Bail Cam,18
97315	Operating Lever,35	98937	K 1/2,27	101579	Type Bar Pallet (≡ ≡),27
97316	Plate,28	98938	B 3/8,27	101582	Type Bar Pallet (< <),27
97317	Clamping Plate,20	98939	L 3/4,27	101583	Type Bar Pallet (≡ ≡),27
97321	Tape Feed-Out Magnet (Assem.),34	98940	N 7/8,27	101866	Retainer - Dark Brown Wrinkle,23
		98941	X /,27		
97332	Cable - Counter,28	98943	D \$,27		
97333	Counter Unit (Assem.),28	98959	I 1,27,28		
97334	Spring Bracket,28	98960	↑ ↑,27		
97335	Cam Lever,28		<u>Type Bars (With Pallets)</u>		
97339	Set of Tape Reel Parts - Walnut,23	98966	#1 (S 1),27		
		98968	#2 (X /),27		
97340	Tape Tension Spring (With 96509 Roller),23	98969	#3 (Q 1),27		
		98972	#4 (V 3/8),27		
97342	Clamp Plate,23	98974	#5 (G &),27		
97362	Bracket,34	98975	#6 (W 2),27		
97363	Yoke,34	98978	#7 (F 1/4),27		
97364	Armature,34	98982	#8 (C 1/8),27		
97367	Set of Mechanical End-of- Line Indicator Parts,28	98984	#9 (D \$),27		
		98985	#10 (R 4),27		
97375	Spacer,34	98988	#11 (J .),27		
97377	Bracket,34	98991	#12 (A -),27		
97378	Connecting Block and Cord (Assem.) - With 8883	98992	#13 (T 5),27		
	Connecting Block,10	98993	#14 (E 3),27		
		98996	#15 (N 7/8),27		
		98998	#16 (I 8),27		

NUMERICAL INDEX

101883	Name Plate,22	102677	Front Plate - Dark Brown Wrinkle,1	103310	Code Bar Locking Lever, 11,16
101884	Name Plate,22	102678	Guard - Dark Brown Wrinkle,1	103316	Bell Crank - #1,11,16
101965	Plug (3 Prongs),31	102681	Base - Receiving Only - Dark Brown Wrinkle,1	103317	Bell Crank - #2,11,16
102009	Name Plate (Assem.)Copper Plated,22	102695	Tape Reel Container - Dark Brown Wrinkle,23	103318	Bell Crank - #3,11,16
102052	Screw (4-40 x 9/32),12	102697	Bracket - Dark Brown Wrinkle,23	103319	Bell Crank - #4,11,16
102104	Backspace Lever (With Post),13	102705	Cover Plate (Assem.) Dark Brown Wrinkle,22	103320	Bell Crank - #5,11,16
102107	Tape Knife,13	102774	Bolt,24	103341	Backstop Bracket,17
102108	Backspace Pawl,13	102790	Punch Block (Assem.),13	103369	Base Plate (With Feet), 31
102109	Ribbon Lifter,13	102791	Spring Retainer,13	103431	Grommet - Rubber,24
102110	Stud,13	102792	Feed Punch Stripper,13	103529	Bracket,6
102111	Feed Pawl,13	102794	Code Punch Stripper,13	103538	Insert - Platen,9
102127	Screw (2-56 x 3/16),22	102795	Ribbon Guide,13	103634	Handle - Bakelite,21,34
102136	Screw (2-56 x .074 Copper Plated),22	102815	Spring Bracket,16	103737	Power Cord (Assem.),31
102230	Main Bail (With Dowel),14	102864	Pull Bar - Blank,33	103738	Line Cord (Assem.),31
102231	Guide Bracket - Right,14	102877	Function Bar,27	103968	Cover Stop Arm (Assem.) 7 1/2" Long,22,36
102232	Guide Bracket- Left,14	102878	Pull Bar - Upper Case "S",33	104771	Universal Contact Mechanism (Assem.),35
102235	Main Bail Bracket,14	103003	Cable - Tape Feed-Out,34,37	104772	Lever,35
102547	Set of Tape Reel Parts - Dark Brown Wrinkle,23			104773	Bracket,35
102653	Type Bar Pallet (Q),27			104774	Block,35